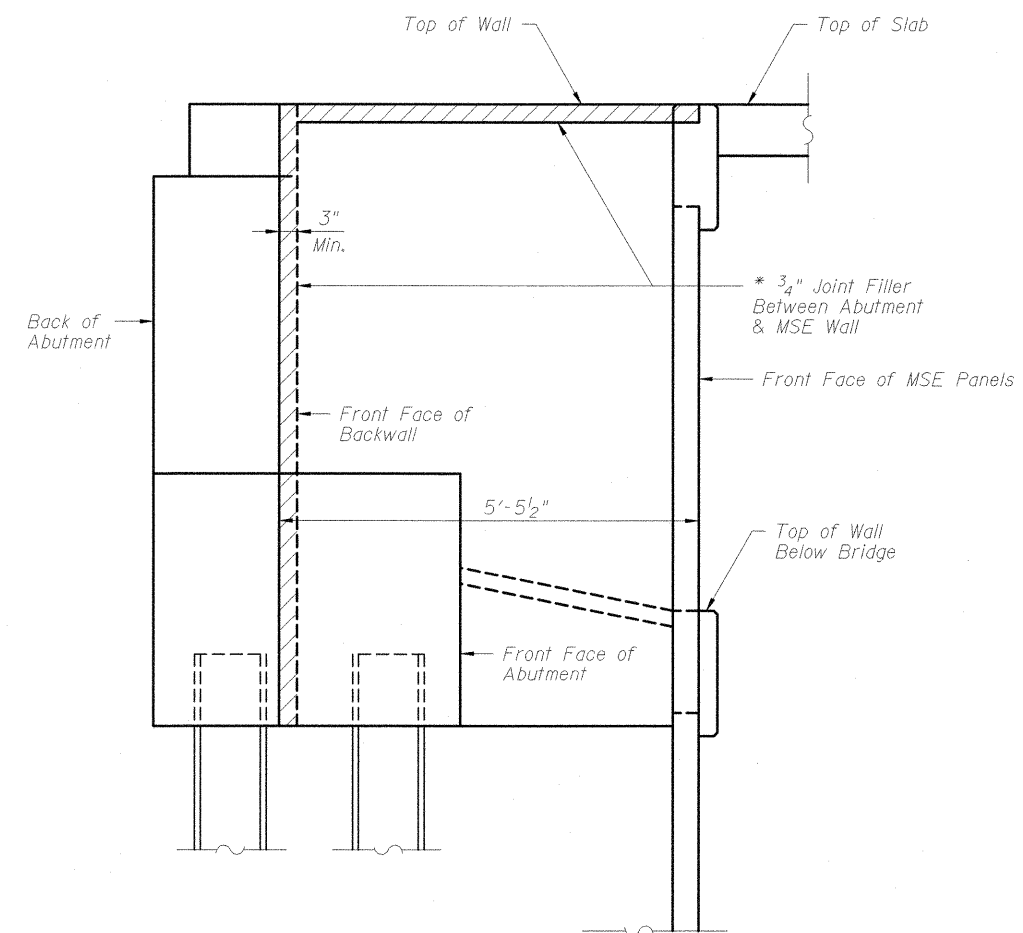


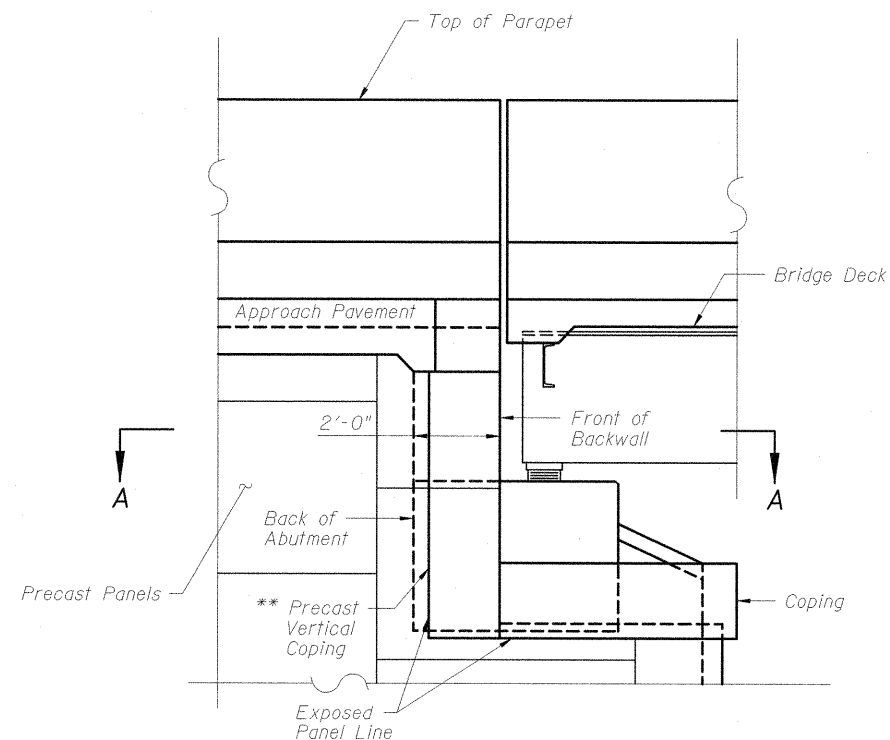
* The cost of Joint Filler will be included for payment in the contract unit price for Mechanically Stabilized Earth Retaining Wall.

WALL AT ABUTMENT DETAILS
(Looking West)

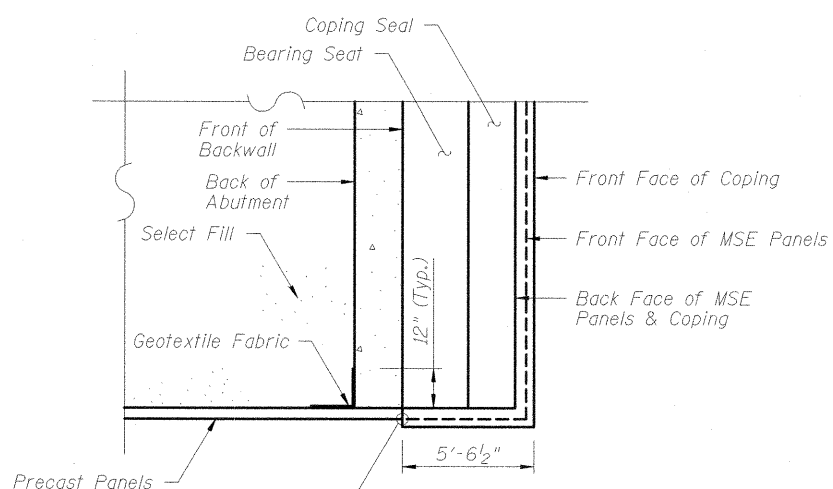


TYPICAL ELEVATION

* The cost of Joint Filler will be included for payment in the contract unit price for Mechanically Stabilized Earth Retaining Wall.



END VIEW



Sta. 1752+09.21
(North and South Walls)

SECTION A-A

WRAP AROUND WALL DETAILS

** The cost of Precast Vertical Coping will be included in the contract unit price for Mechanically Stabilized Earth Retaining Wall.

CMT
CRAWFORD MURPHY & TILLY, INC.
CONSULTING ENGINEERS
SPRINGFIELD, ILL. ■ AURORA, ILL. ■ ST. LOUIS, MO
ROCKFORD, ILL. ■ PEORIA, ILL. ■ CHICAGO, ILL.

FILE NAME = L:\IDOT\0906603\Draw\CADD_Sheets\STRUCTURAL PLANS\MSE WALLS\100-W002\100W002-98859-014-Wrap_Around.dgn

USER NAME = Gary Davis
PLOT SCALE = 1.0000 ' / IN.
PLOT DATE = 12/7/2011

DESIGNED - JMW
CHECKED - REB
DRAWN - AJK
CHECKED - REB

REVISED -
REVISED -
REVISED -
REVISED -

STATE OF ILLINOIS
DEPARTMENT OF TRANSPORTATION

WALL AT ABUTMENT DETAILS
STRUCTURE NO. 100-W002

SHEET NO. 14 OF 21 SHEETS

F.A.P. RTE.	SECTION	COUNTY	TOTAL SHEETS	SHEET NO.
331	(1X-1) VB-1, B-1, N-4, R-3	WILLIAMSON	367	270
CONTRACT NO. 98859				

ILLINOIS FED. AID PROJECT