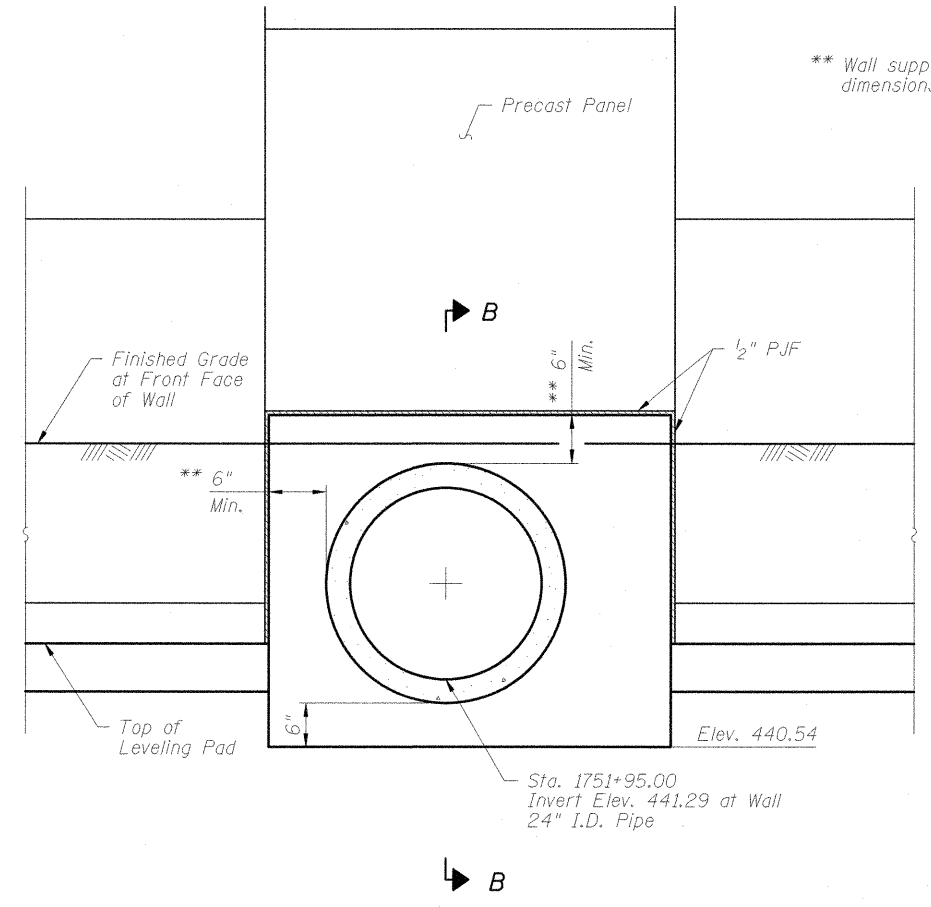
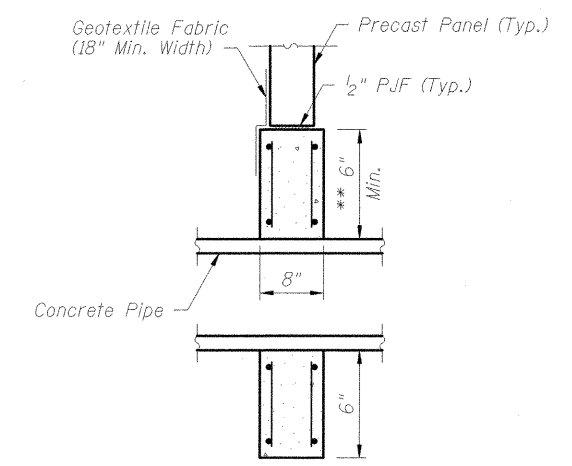


**LOAD TRANSFER SYSTEM  
AROUND DRAINAGE DETAIL**  
Sta. 1751+95.00 (South Wall)

\* M.S.E. supplier to design load transfer system to accommodate concrete pipe, inlet box, and manhole.



**SECTION A-A**



**SECTION B-B**

\*\* Wall supplier to determine required dimensions.



FILE NAME = L:\DOT\0906603\Draw\CADD\_Sheets\STRUCTURAL PLANS\MSE WALLS\100-W002\100W002-98859-016-Pipe\_Through.dgn

USER NAME = Gary Davis  
PLOT SCALE = 1:8000 / IN.  
PLOT DATE = 12/7/2011

DESIGNED - JMW  
CHECKED - REB  
DRAWN - AJK  
CHECKED - REB

REVISED -  
REVISED -  
REVISED -  
REVISED -

**STATE OF ILLINOIS  
DEPARTMENT OF TRANSPORTATION**

**PIPE PASS THROUGH DETAILS  
STRUCTURE NO. 100-W002**

SHEET NO. 16 OF 21 SHEETS

F.A.P. RTE.	SECTION	COUNTY	TOTAL SHEETS	SHEET NO.
331	(IX-1) VB-1, B-1, N-4, R-3	WILLIAMSON	367	272
			CONTRACT NO. 98859	

ILLINOIS FED. AID PROJECT