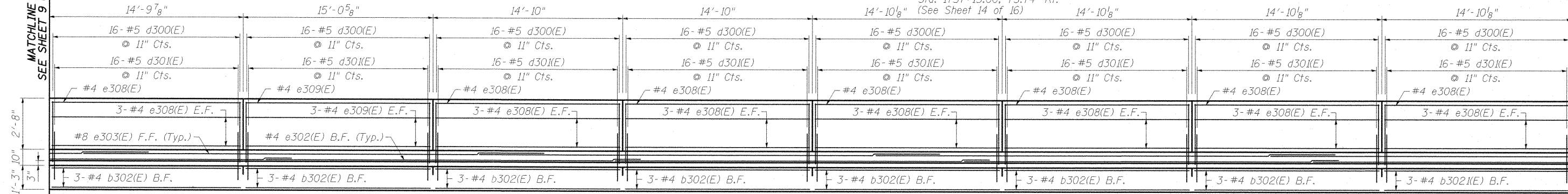
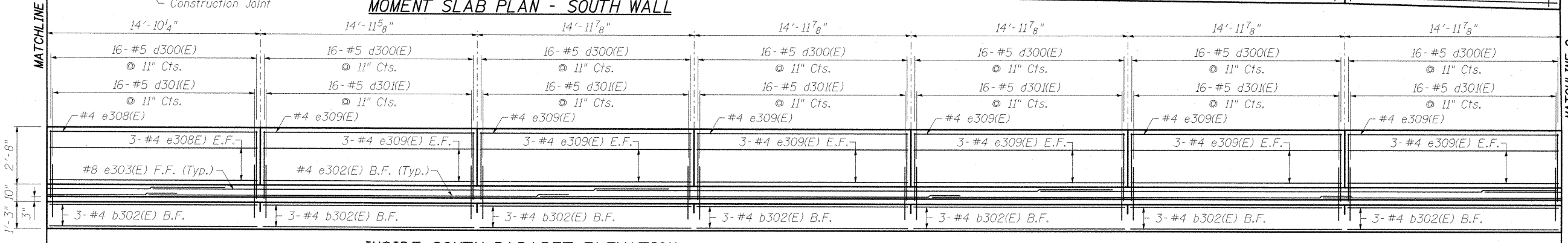
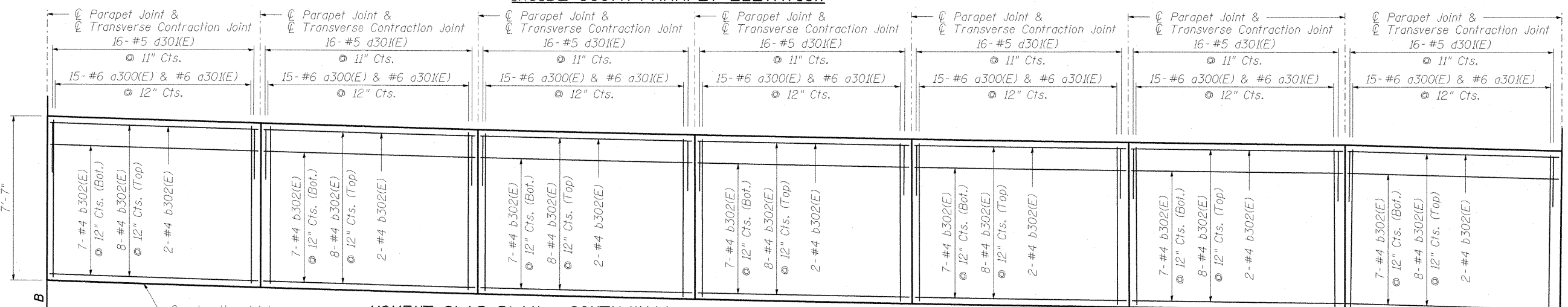


**MOMENT SLAB PLAN - SOUTH WALL**

Prop. Type C Inlet Box (Special)  
Sta. 1757+15.00, 75.74' Rt.  
(See Sheet 14 of 16)



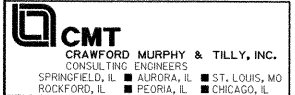
**INSIDE SOUTH PARAPET ELEVATION**



**MINIMUM BAR LAPS**

Bar	Lap
#4 (Moment Slab)	2'-3"
#4 (Parapet)	2'-0"
#8 (Parapet)	5'-2"

Reinforcement bars designated (E) shall be epoxy coated.  
See sheet 8 of 16 for joint details.  
Longitudinal dimensions are measured horizontally along the back of the parapet.



FILE NAME = L:\IDOT\0906603\Draw\CADD\_Sheets\STRUCTURAL PLANS\MSE WALLS\100-W003\100W003-98859-010-S.Parapet.Elev.dgn  
USER NAME = Gary Davis  
DESIGNED - JMW  
CHECKED - REB  
DRAWN - AJK  
CHECKED - REB  
REVISIONS:  
REVISED -  
REVISED -  
REVISED -  
REVISED -  
PLOT SCALE = 1:0000'' / IN.  
PLOT DATE = 1/10/2012

**STATE OF ILLINOIS  
DEPARTMENT OF TRANSPORTATION**

**JOINT AND REINFORCING DETAILS  
STRUCTURE NO. 100-W003**

SHEET NO. 10 OF 16 SHEETS

F.A.P. RTE.	SECTION	COUNTY	TOTAL SHEETS	SHEET NO.
331	(1X-1) VB-1, B-1, N-4, R-3	WILLIAMSON	367	287
				CONTRACT NO. 98859
ILLINOIS FED. AID PROJECT				