

URBAN

URBAN

SUMMARY OF QUANTITIES			CONSTRUCTION TYPE CODE 0013	
CODE NO	ITEM	UNIT	TOTAL QUANTITIES	100% STATE 0013
67000400	ENGINEER'S FIELD OFFICE, TYPE A	CAL MO	3	3
67100100	MOBILIZATION	L SUM	1	1
70300210	TEMPORARY PAVEMENT MARKING LETTERS AND SYMBOLS	SQ FT	109.2	109.2
70300904	PAVEMENT MARKING TAPE, TYPE IV 4"	FOOT	6639	6639
70300906	PAVEMENT MARKING TAPE, TYPE IV 6"	FOOT	564	564
* 78000200	THERMOPLASTIC PAVEMENT MARKING - LINE 4"	FOOT	582	582
* 78000400	THERMOPLASTIC PAVEMENT MARKING - LINE 6"	FOOT	35	35
X0327980	PAVEMENT MARKING REMOVAL - WATER BLASTING	SQ FT	226	226
X7010216	TRAFFIC CONTROL AND PROTECTION, (SPECIAL)	L SUM	1	1
X7030005	TEMPORARY PAVEMENT MARKING REMOVAL	SQ FT	2604	2604
Z0012102	CONCRETE BRIDGE DECK SCARIFICATION 3/8 INCH	SQ YD	751	751
Z0012193	BRIDGE DECK THIN POLYMER OVERLAY 3/8"	SQ YD	751	751
Z0016200	DECK SLAB REPAIR (PARTIAL)	SQ YD	8	8
Z0021904	SILICONE JOINT SEALER, 1"	FOOT	101	101
Z0021906	SILICONE JOINT SEALER, 1.5"	FOOT	202	202
Z0030850	TEMPORARY INFORMATION SIGNING	SO FT	102.8	102.8

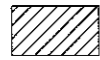

SUMMARY OF QUANTITIES			CONSTRUCTION TYPE CODE 0013	
CODE NO	ITEM	UNIT	TOTAL QUANTITIES	100% STATE 0013
Z0073510	TEMPORARY TRAFFIC SIGNAL TIMING	EACH	1	1
78000100	THERMOPLASTIC PAVEMENT MARKING - LETTERS AND SYMBOLS	SQ FT	36.4	36.4
78000650	THERMOPLASTIC PAVEMENT MARKING - LINE 2"	FOOT	87	87
78008210	POLYUREA PAVEMENT MARKING TYPE I - LINE 4"	FOOT	40	40
78008230	POLYUREA PAVEMENT MARKING TYPE I - LINE 6"	FOOT	155	155
*Specialty Item				

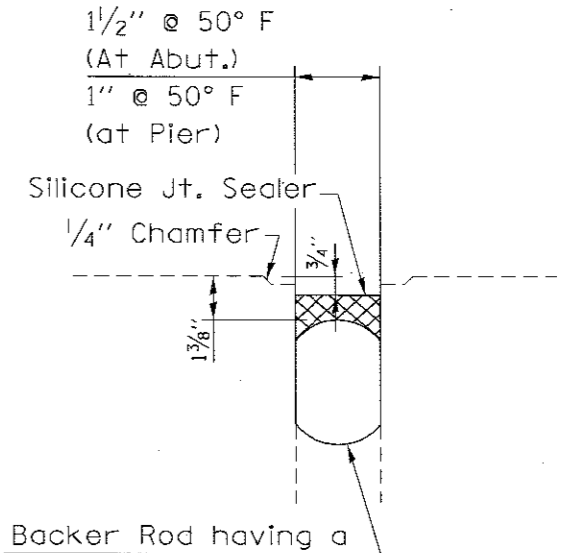
16

FILE NAME =	USER NAME = przanowstra	DESIGNED -	REVISED -	<b>STATE OF ILLINOIS DEPARTMENT OF TRANSPORTATION</b>	<b>SUMMARY OF QUANTITIES</b>			F.A.U. RTE. 1320	SECTION 109-1-BR	COUNTY COOK	TOTAL SHEETS 18	SHEET NO. 3
OFFICE: District 1 Projects/2837/CAD/Design/2837	DESIGNED BY: [Signature]	CHECKED -	REVISED -		SCALE:	SHEET NO. OF	SHEETS	STA. TO STA.	CONTRACT NO. 62F33			
PLOT SCALE = 100,000' = 1"	CHECKED BY: [Signature]	DATE -	REVISED -		FED. ROAD DIST. NO. 1 (ILLINOIS) FED. AID PROJECT							
PLOT DATE = 12/15/2017	DATE -											

REV 2-20-18

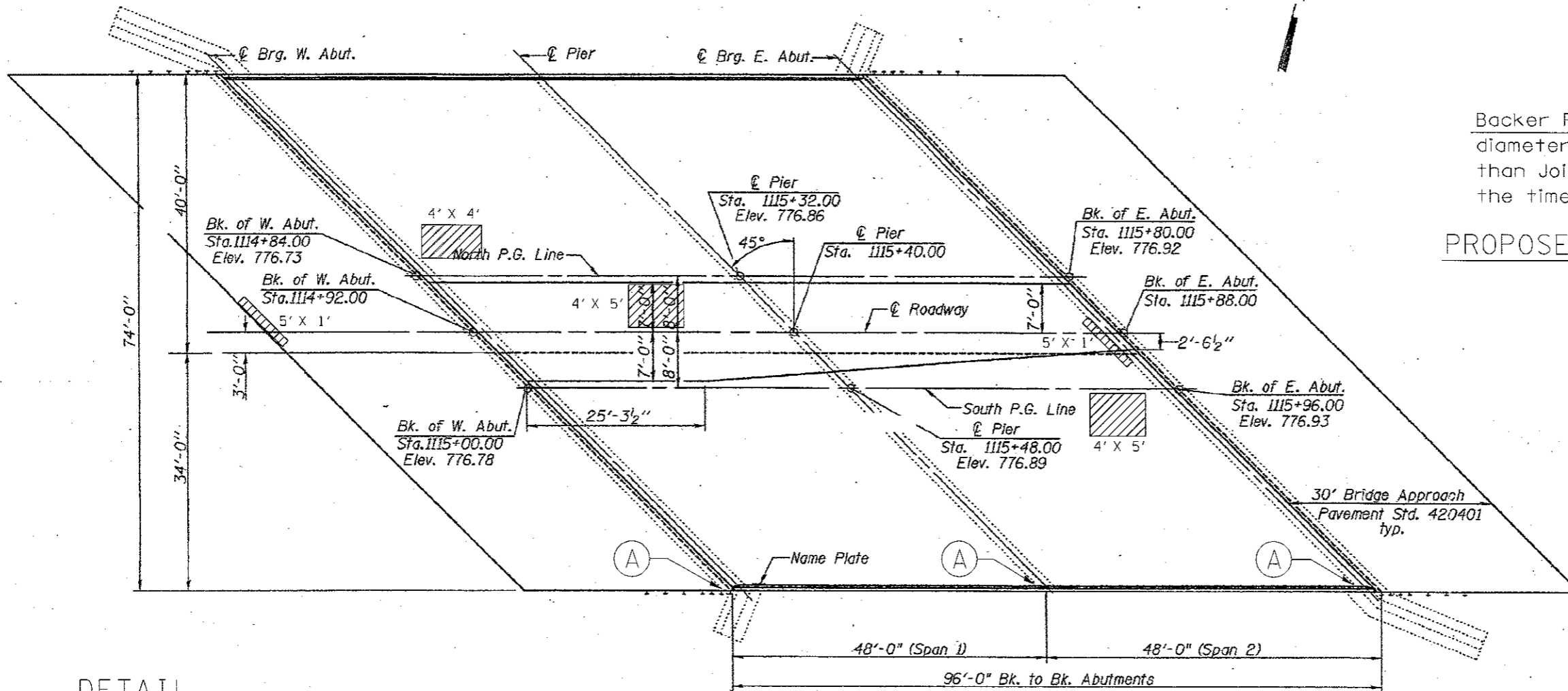
**LEGEND**

-  = DECK SLAB REPAIR (PARTIAL DEPTH)
-  = SILICONE JOINT SEALER, 1.5" (ABUTMENT JOINTS)  
SILICONE JOINT SEALER, 1" (PIER JOINT)



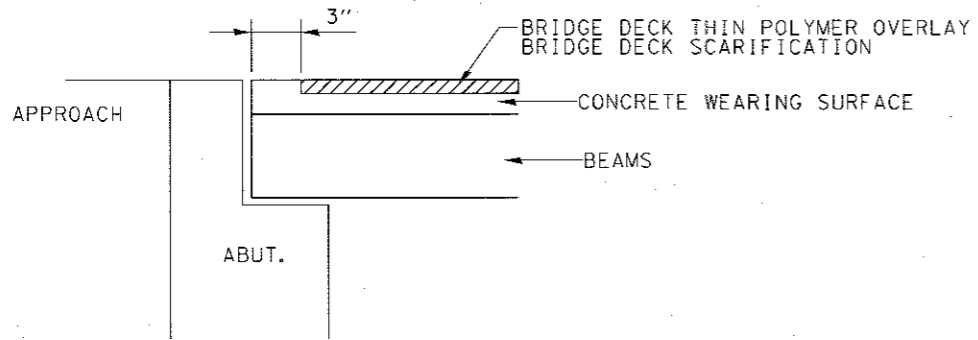
Backer Rod having a diameter 25% greater than Joint Opening at the time of installation

**PROPOSED SILICONE JOINT SEAL**



**PLAN**

**DETAIL**



**TOTAL BILL OF MATERIALS**

ITEM	UNIT	QUANTITY
CONCRETE BRIDGE DECK SCARIFICATION 3/8"	SO. YD.	751
BRIDGE DECK THIN POLYMER OVERLAY 3/8"	SO. YD.	751
DECK SLAB REPAIR (PARTIAL DEPTH)	SO. YD.	8
SILICONE JOINT SEALER, 1"	FOOT	101
SILICONE JOINT SEALER, 1 1/2"	FOOT	202

MODEL: Default  
FILE NAME: p:\w\l\c\l\BENTEG Illinois.gov\PI\DOT\Documents\DOT - Office\Benteg - I\Projects\11152877\CA\00\04\Design\11152877.dwg

USER NAME = pyrsa@ows.crb	DESIGNED -	REVISED -
PLOT SCALE = 100,000' / in.	DRAWN -	REVISED -
PLOT DATE = 2/16/2018	CHECKED -	REVISED -
	DATE -	REVISED -

**STATE OF ILLINOIS  
DEPARTMENT OF TRANSPORTATION**

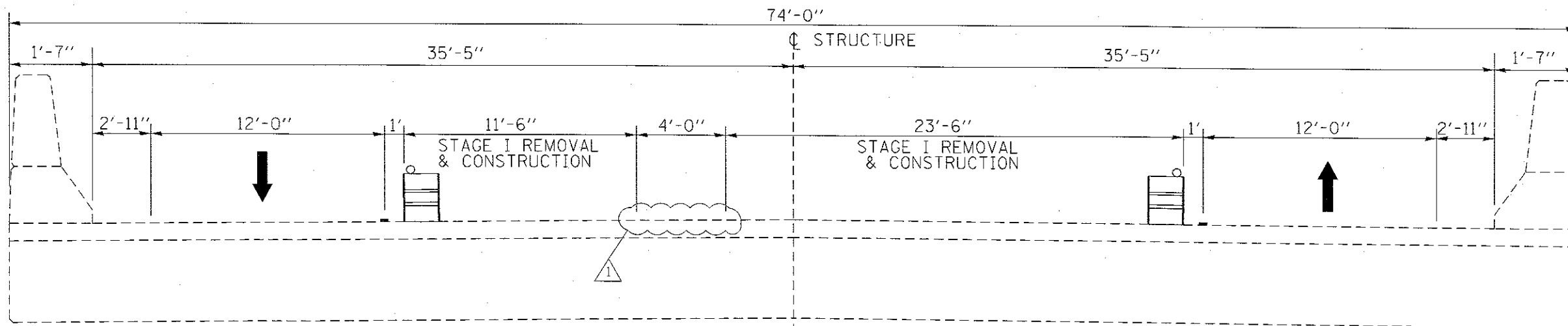
**TYPICAL CROSS SECTION  
SN 016-2087**

SCALE: SHEET OF SHEETS STA. TO STA.

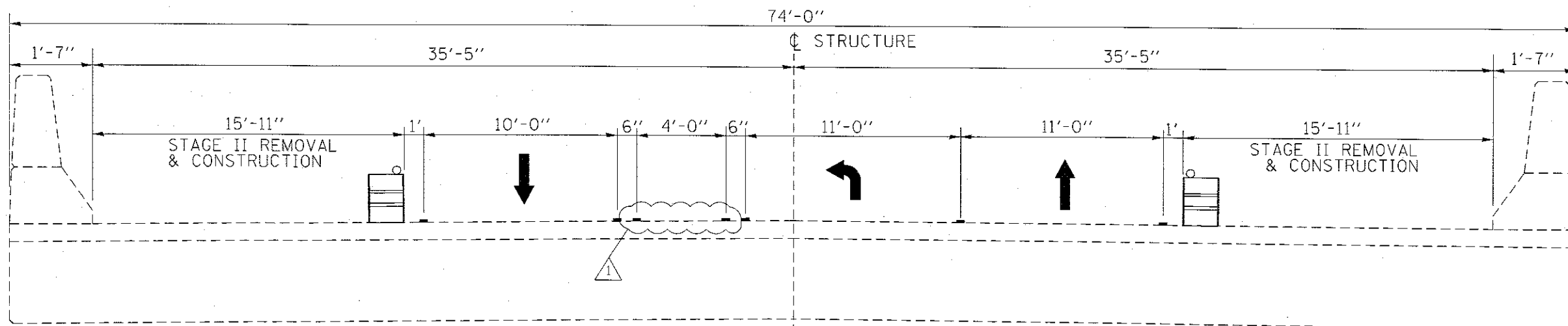
P.A.B. RTE. 1320	SECTION 109-I-BR	COUNTY COOK	TOTAL SHEETS 18	SHEET NO. 4
ILLINOIS FED. AID PROJECT			CONTRACT NO. 62F33	

REV 2-20-18





**STAGE I**  
(LOOKING EAST)



**STAGE II**  
(LOOKING EAST)

MODEL: d:\p101\1084\EDR\INT\EG\_IL\wisconsin.gov\FM\DOT\Documents\DOT\_07\figs\08\stc1\_1\Projects\1328317\CADD\as\csp\stc1\_1\figs\p101.dgn  
 FILE NAME: d:\p101\1084\EDR\INT\EG\_IL\wisconsin.gov\FM\DOT\Documents\DOT\_07\figs\08\stc1\_1\Projects\1328317\CADD\as\csp\stc1\_1\figs\p101.dgn

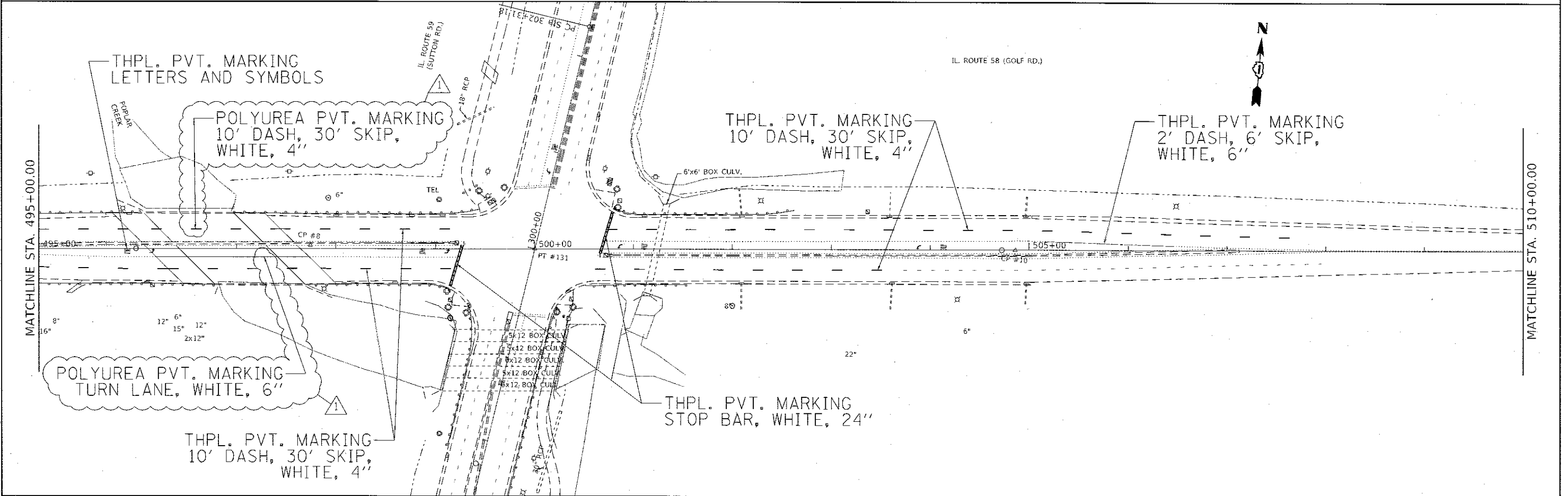
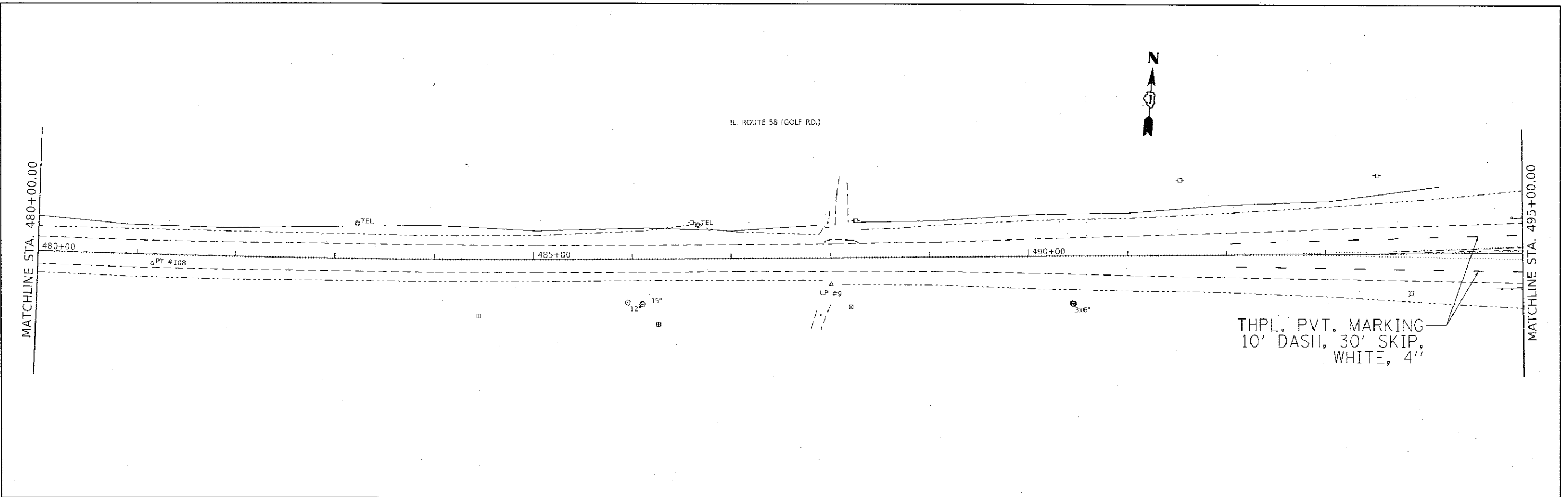
USER NAME = pyc2a-ows:rb	DESIGNED -	REVISED -
PLOT SCALE = 100.0000' / in.	DRAWN -	REVISED -
PLOT DATE = 2/16/2018	CHECKED -	REVISED -
	DATE -	REVISED -

STATE OF ILLINOIS  
DEPARTMENT OF TRANSPORTATION

TRAFFIC CONTROL CROSS SECTION  
IL 58 (GOLF RD.) AT POPLAR CREEK (SN 016-2087)

F.A.U. RTE. 1320	SECTION 109-I-BR	COUNTY COOK	TOTAL SHEETS 18	SHEET NO. 6
CONTRACT NO. 62F33				ILLINOIS FED. AID PROJECT

REV 2-20-18



MODEL: Default  
 FILE NAME: s:\p10\B810NTEG\Illinois\rev\p10\DOT\document\DOT - Office\GIS\uk4\_1\Project\128317\CAD\Drawings\128317-shl-plan.dwg

USER NAME = pyr2a-0wshirb	DESIGNED -	REVISED -
PLOT SCALE = 100.0000' / in.	DRAWN -	REVISED -
PLOT DATE = 2/14/2018	CHECKED -	REVISED -
	DATE -	REVISED -

**STATE OF ILLINOIS**  
**DEPARTMENT OF TRANSPORTATION**

FINAL PAVEMENT MARKING PLAN			
IL. ROUTE 58 (GOLF RD) AT POPLAR CREEK			
SCALE: 1" = 50'	SHEET	OF	SHEETS
		STA.	TO STA.

F.A.U. RTE.	SECTION	COUNTY	TOTAL SHEETS	SHEET NO.
1320	109-I-BR	COOK	18	13
CONTRACT NO. 62F33				
ILLINOIS FED. AID PROJECT				

REV 2-20-18