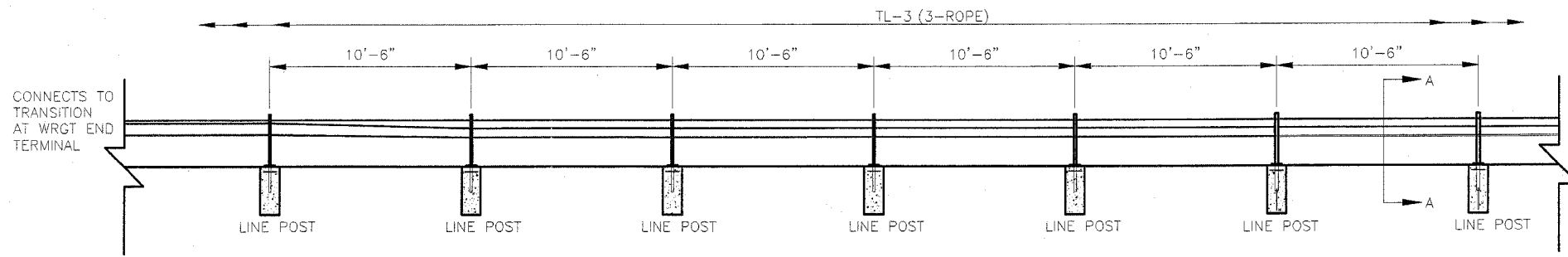


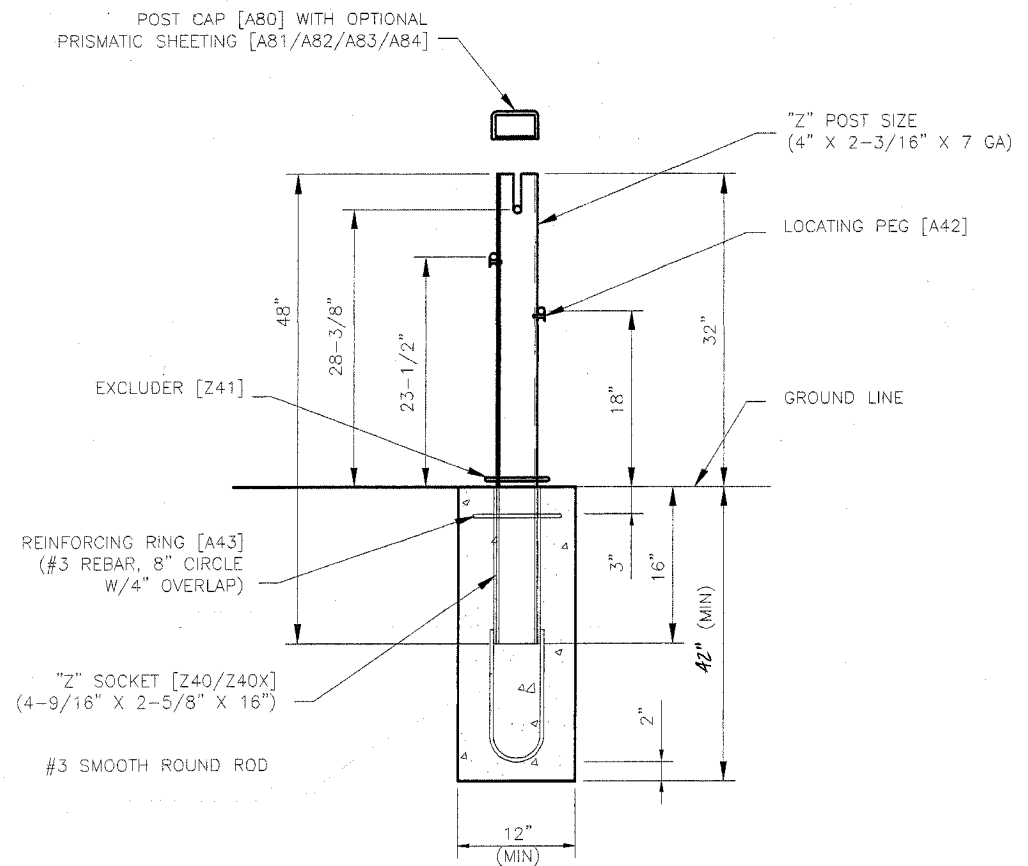
FBI	SECTION	COUNTY	TOTAL SHEETS
57	2005-038 I	COOK/MILL	58
STA		TILMONS	50
FED. ROAD DIST. NO. 60A09			FED. AID PROJECT



TYPICAL ELEVATION
(SEE DETAIL BELOW)

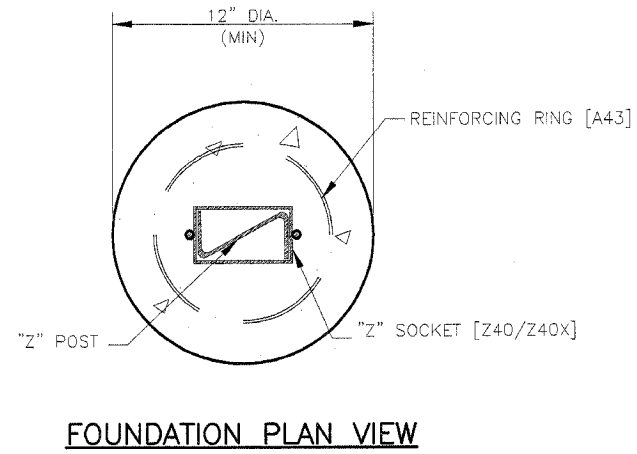
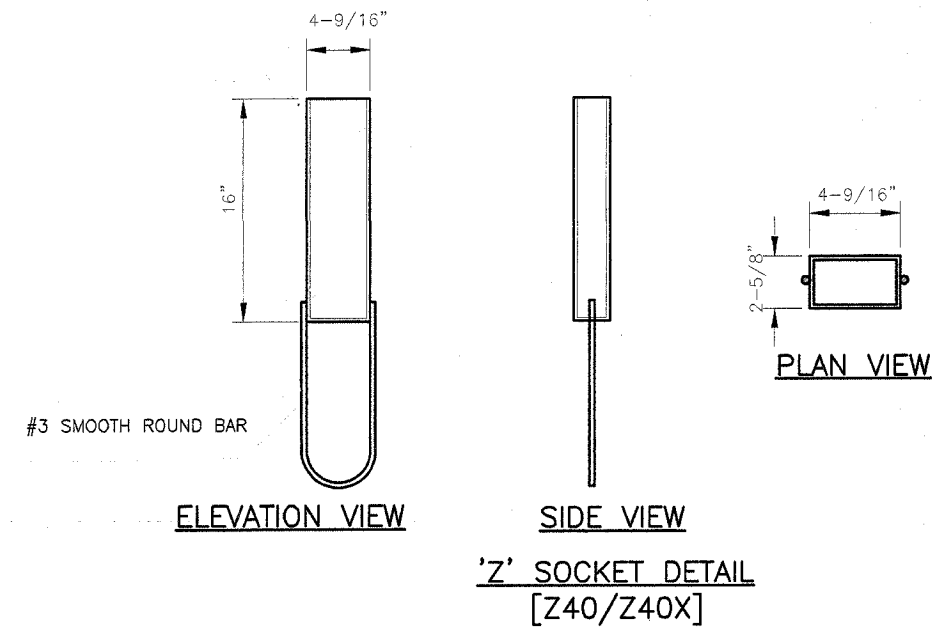
NOTES:

- BRIFEN DRAWINGS, SPECIFICATIONS AND PRODUCT MANUAL SHOULD BE REVIEWED PRIOR TO STARTING AN INSTALLATION. FOR ASSISTANCE OR ADDITIONAL INFORMATION CALL 1-866-427-4336 TOLL FREE.
- WIRE ROPE SAFETY FENCE (WRSF) IS RECOMMENDED FOR INSTALLATIONS ON SLOPES OF 6:1 OR FLATTER. THE AREA SHOULD BE RELATIVELY SMOOTH, WITHOUT EDGE DROP-OFF, ABRUPT SLOPE CHANGES, HOLES, DEBRIS, ETC. THAT COULD PREVENT A VEHICLE FROM IMPACTING THE WRSF WITH ALL WHEELS ON THE GROUND AND SUSPENSION NORMAL. SOME FILLING AND/OR GRADING AND COMPACTION MAY BE NECESSARY. THE ROPES MUST BE PLACED AT DESIGN HEIGHT ABOVE GROUND LINE. TOLERANCE IS $\pm 1"$.
- WRSF MAY BE INSTALLED ON EITHER SIDE OF THE ROADWAY. THE RADIUS EDGE OF POSTS SHALL BE ON APPROACH SIDE OF TRAFFIC. ALSO SEE SHEET 5.
- POSTS SHALL BE SOCKETED DESIGN, UNLESS OTHERWISE SPECIFIED; SPACING MAY BE DECREASED TO AVOID OBSTACLES. ADEQUATE CLEARANCE TO RIGID OBSTACLES SUCH AS BRIDGE PIERS, SIGN SUPPORTS, POWER POLES, AND TREES, IS CRITICAL. SEE PRODUCT MANUAL OR CONTACT MANUFACTURER.
- CONCRETE TO BE 3,500 PSI MINIMUM. EXPOSED SURFACES TO BE HAND TROWELED.
- PRISMATIC REFLECTIVE SHEETING (ADHESIVE BACK) WHEN SPECIFIED SHALL BE FIELD APPLIED. SPECIFY COLOR, POST INTERVAL, AND SINGLE OR DOUBLE SIDED.
- EXCLUDER TO BE PUSHED DOWN TIGHT AGAINST TOP OF SOCKET. SOCKET SHALL BE FLUSH WITH THE TOP OF THE FOUNDATION.
- END ANCHORAGE AND POST FOUNDATION SIZES ARE DETERMINED BY SOIL CLASSIFICATION AND CONDITION AS WELL AS TEMPERATURE EXTREMES. REFER TO PRODUCT MANUAL OR CONTACT BRIFEN USA REPRESENTATIVE FOR TECHNICAL ASSISTANCE.



SECTION A-A
LINE POST
WITH "Z" SOCKET

CONCRETE SOCKETED FOUNDATION
(DRIVEN STEEL SOCKET OPTIONAL)



FOUNDATION PLAN VIEW

THE PROPOSED DEPTHS OF THE CONCRETE SOCKETED FOUNDATIONS AS SHOWN IN THE BRIFEN USA DETAILS SHALL BE 42" (MINIMUM).

The information herein is proprietary to BRIFEN USA, and shall not be disclosed, duplicated or used otherwise without the express written consent of BRIFEN USA, Inc.

BRIFEN★USA INC.			TL-3 WRSF DETAIL		
Revisions			(3-ROPES @ 10'-6" POST SPACING)		
(INCLUDING TRANSITION TO WRGT)			Date	Drawn By	Scale
No.	Date	By	5.17.05	Manita Workman	None
1.	7.21.05	MW	VERSION 8.8		Sheet No.
2.	8.01.05	MW			3 of 11
3.	8.04.05	MW			
4.	10.10.05	MW	Dwg. No.	WRSF-05-203a	
5.	12.16.05	MW			