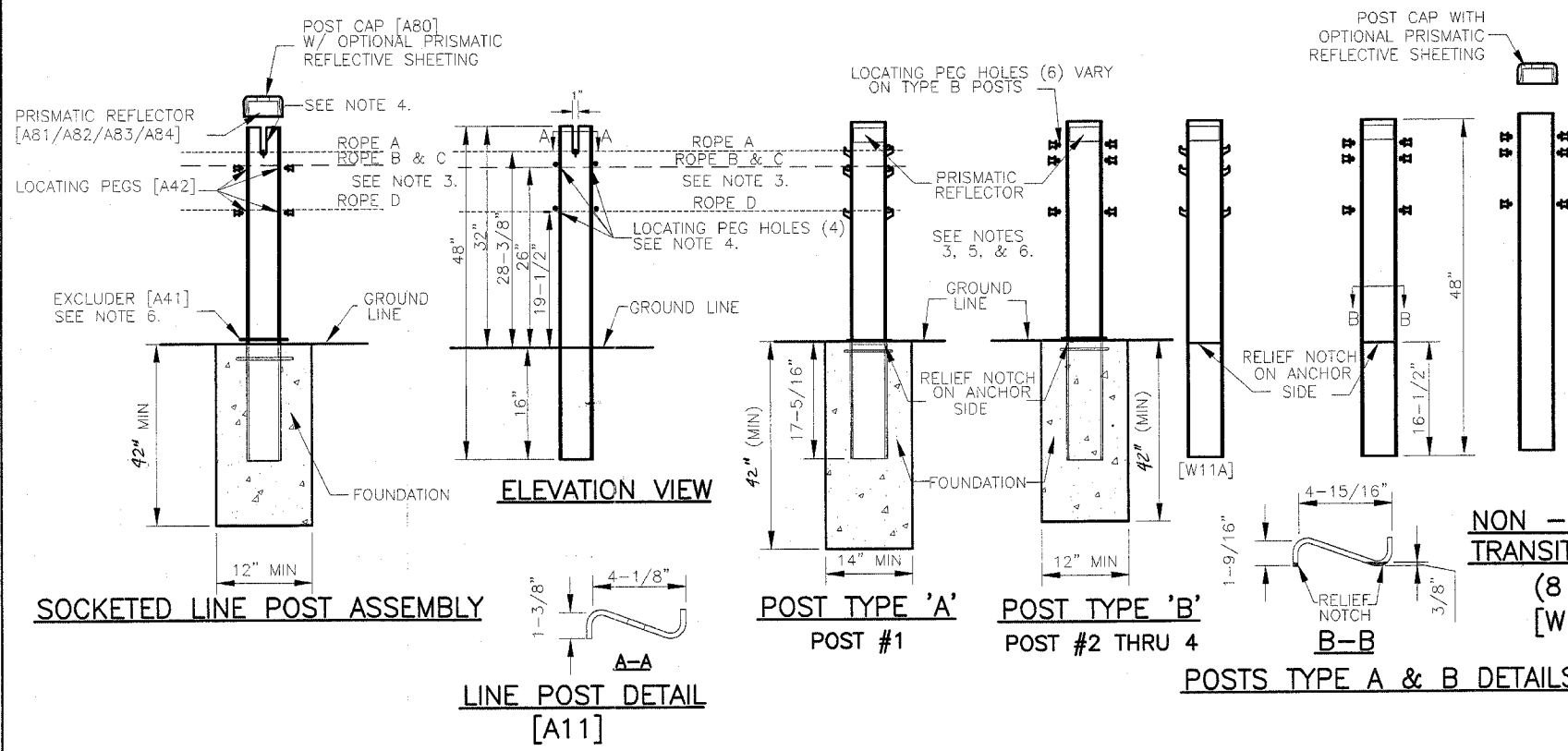


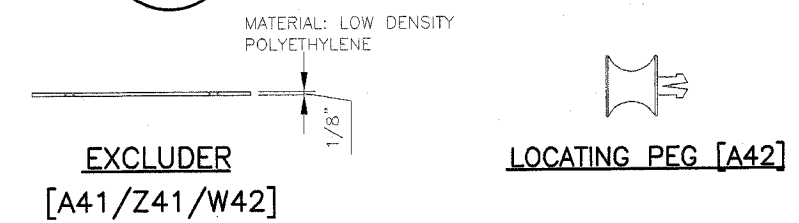
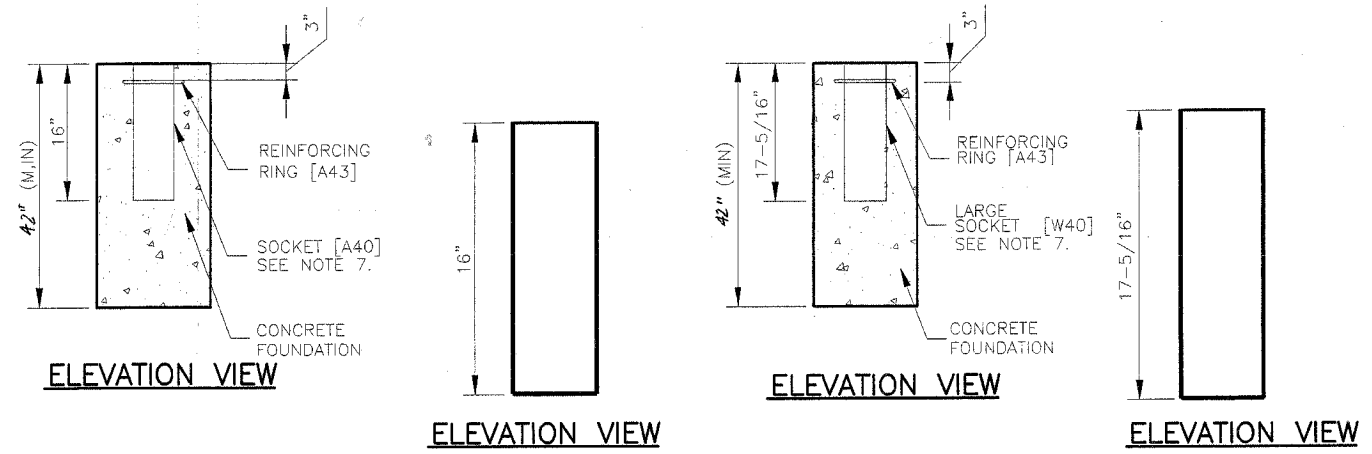
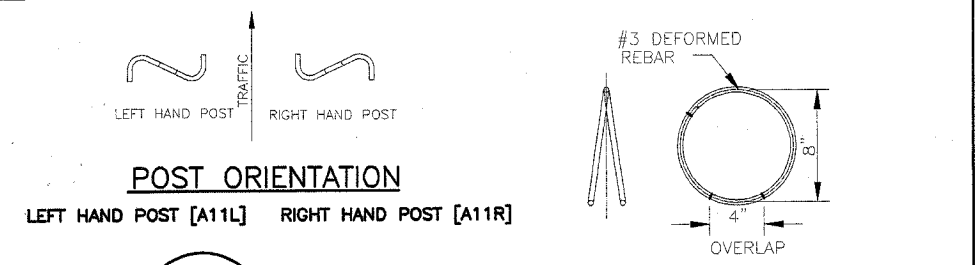
FAI	SECTION	COUNTY	TOTAL SHEETS
57	2005-0381	COOK/MILL	58
STA		TUMINOIS	FED. AID PROJECT
CONTRACT NO. 60A09			



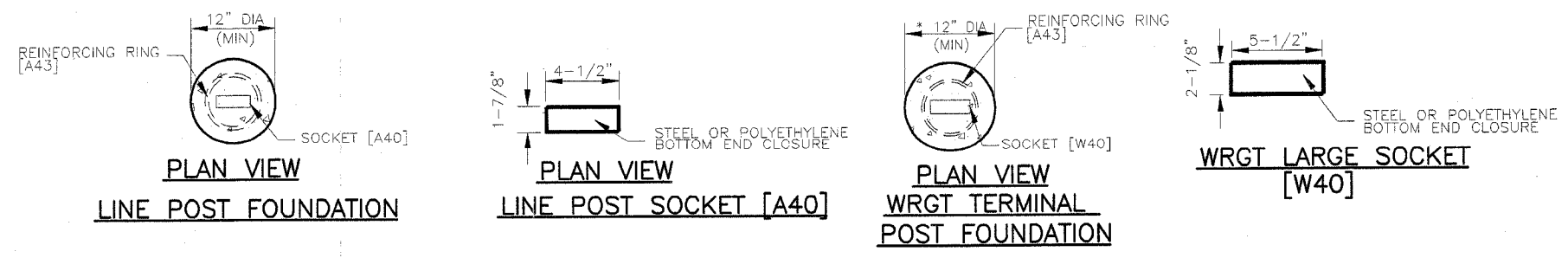
- NOTES:**
- RADIUS EDGE OF POSTS SHALL BE ON THE APPROACH SIDE OF TRAFFIC.
 - ROPES B, C, AND D INTERWEAVE BETWEEN ALL POSTS. SEE NOTE 3.
 - THE 15 TRANSITION LINE POSTS ADJACENT TO WRGT END TERMINAL DO NOT HAVE TOP ROPE SLOTS. THE TOP ROPE WEAVES ON EITHER SIDE OF POSTS UNTIL THE FIRST LINE POST WITH A SLOT.
 - POSTS PEG HOLES ARE PRE-DRILLED SO THAT ROPES MAY BE PLACED ON EITHER SIDE OF POST DEPENDING ON ROPE WEAVE PATTERN.
 - PRISMATIC REFLECTIVE SHEETING (ADHESIVE BACK) WHEN SPECIFIED SHALL BE FIELD APPLIED. SPECIFY COLOR, POST INTERVAL, AND SINGLE OR DOUBLE SIDED. SEE SHEET 6 FOR CAP DETAILS.
 - EXCLUDER TO BE PUSHED DOWN TIGHT AGAINST TOP OF SOCKET. SOCKET SHOULD BE FLUSH WITH THE TOP OF THE FOUNDATION.
 - CONCRETE TO BE 3,500 PSI MINIMUM. EXPOSED SURFACES TO BE HAND TROWELED.
 - WRGT END ANCHOR TERMINAL POSTS (TYPE A & B) TO BE PLACED WITH WEAKENING CUT (RELIEF NOTCH) TOWARD END ANCHOR.
 - END ANCHORAGE AND POST FOUNDATION SIZES ARE DETERMINED BY SOIL CLASSIFICATION AND CONDITION AS WELL AS TEMPERATURE EXTREMES. REFER TO PRODUCT MANUAL OR CONTACT BRIFEN USA REPRESENTATIVE FOR TECHNICAL ASSISTANCE.

THE PROPOSED DEPTHS OF THE CONCRETE SOCKETED FOUNDATIONS AS SHOWN IN THE BRIFEN USA DETAILS SHALL BE 42" (MINIMUM).

WRGT TERMINAL POSTS ASSEMBLY



The information herein is proprietary to BRIFEN USA, and shall not be disclosed, duplicated or used otherwise without the express written consent of BRIFEN USA, Inc.



* POST TYPE 'A' FOUNDATION 14" DIA

Revisions			SOCKETED POST DETAIL (TL-3, 4-ROPE SHOWN)		
No.	Date	By	Date	Drawn By	Scale
1.	7.21.05		5.17.05	Manita Workman	None
2.	8.01.05	MW	VERSION 8.8		
3.	8.04.05	MW			
4.	10.10.05	MW	Dwg. No. WRSF-05-205a		Sheet No. 5 of 11
5.	12.16.05	MW			