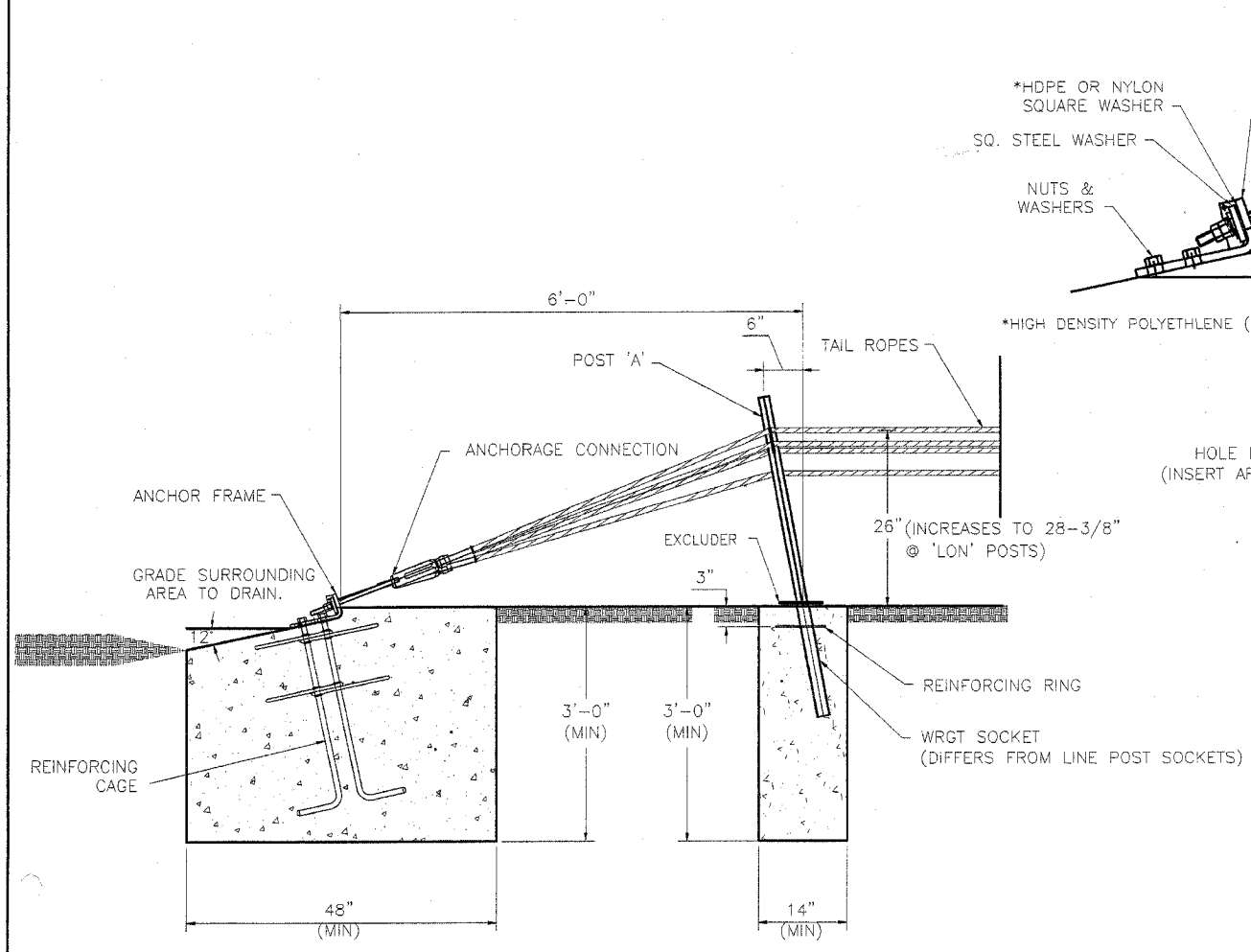
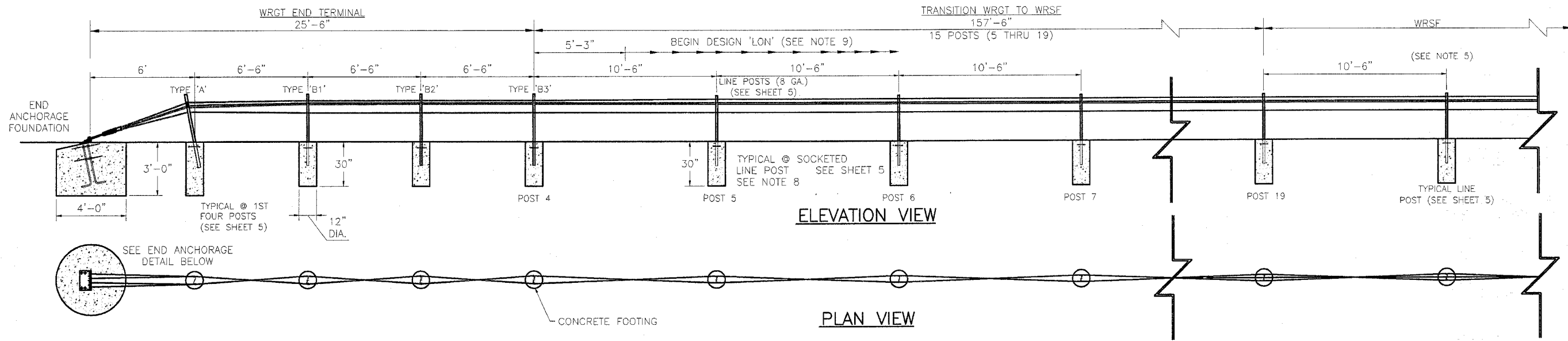
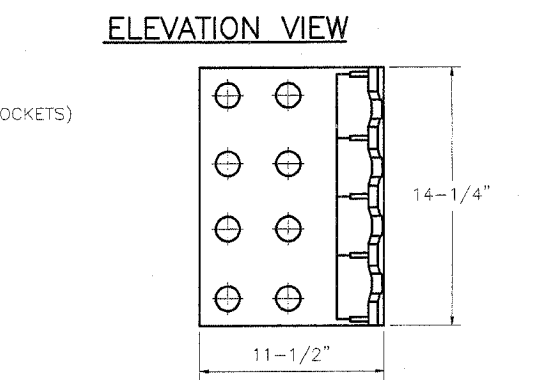
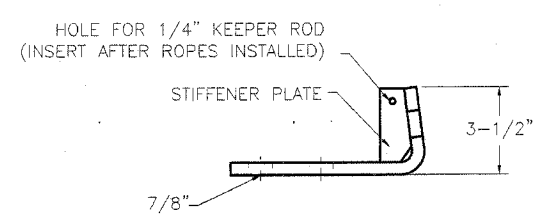
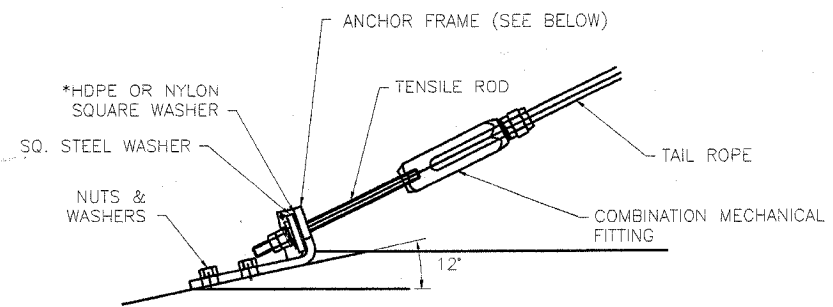


FBI	SECTION	COUNTY	TOTAL SHEETS	SHEET NO.
57	2005-0381	COCONINO	58	48
STA.	ILLUMIN.	FED AID PROJECT		
FED ROAD DIST. NO.	CONTRACT NO. 8849			



**WRGT END ANCHORAGE DETAIL**  
USED WITH 3-ROPE OR 4-ROPE TL-3 & TL-4 SYSTEMS



**PLAN VIEW**  
**ANCHORAGE CONNECTION DETAILS**

**NOTES:**

- BRIFEN DRAWING, SPECIFICATION & PRODUCT MANUAL SHOULD BE REVIEWED PRIOR TO STARTING AN INSTALLATION. FOR ASSISTANCE OR ADDITIONAL INFORMATION CALL 1-866-427-4336 TOLL FREE.
- WIRE ROPE SAFETY FENCE (WRSF) IS RECOMMENDED FOR INSTALLATIONS ON SLOPES OF 6:1 OR FLATTER. THE AREA SHOULD BE RELATIVELY SMOOTH, WITHOUT EDGE DROP-OFFS, ABRUPT SLOPE CHANGES, HOLES, DEBRIS, ETC. THAT COULD PREVENT A VEHICLE FROM IMPACTING THE WRSF WITH ALL WHEELS ON THE GROUND AND SUSPENSION NORMAL. SOME FILLING AND/OR GRADING AND COMPACTION MAY BE NECESSARY. THE ROPES MUST BE PLACED AT DESIGN HEIGHT ABOVE GROUND LINE. TOLERANCE IS  $\pm 1"$ .
- WRSF MAY BE INSTALLED ON EITHER SIDE OF THE ROADWAY. THE RADIUS EDGE OF POSTS SHALL BE ON THE APPROACH SIDE OF TRAFFIC. WEAKENING CUT (RELIEF NOTCH) AT GROUND LINE ON POST A & B TO BE PLACED TOWARD THE END ANCHOR. ALSO SEE SHEET 5.
- ALL POSTS ARE SET IN SOCKETS UNLESS OTHERWISE SPECIFIED.
- LINE POST SPACING AT 10'-6" SHOWN; MAY BE DECREASED IF NECESSARY. ADEQUATE CLEARANCE TO RIGID OBSTACLES SUCH AS BRIDGE PIERS, SIGN SUPPORTS, POWER POLES, TREES, ETC. IS CRITICAL. SEE PRODUCT MANUAL OR CONTACT MANUFACTURER.
- WRGT END TERMINAL IS NCHRP 350 APPROVED AND MAY BE LOCATED WITHIN THE HORIZONTAL CLEAR ZONE. END TERMINAL FLARE RATE MAY NOT EXCEED 25:1; 50:1 OR LESS IS PREFERRED. USED FOR BOTH TL-3 & TL-4 SYSTEMS. NO MAXIMUM LIMIT TO LENGTH BETWEEN END TERMINAL.
- WRGT END TERMINAL IS SUPPLIED AS A PACKAGE UNLESS SPECIFIED OTHERWISE. INCLUDES ANCHOR FRAME, REINFORCING CAGE, CONNECTION HARDWARE, COMBINATION MECHANICAL FITTING, POSTS TYPE A AND B, WRGT SOCKETS, PEGS, EXCLUDERS, AND TAIL ROPES.
- THE 15 TRANSITION LINE POSTS ADJACENT TO WRGT END TERMINAL DO NOT HAVE TOP ROPE SLOT. ALL THE ROPES WEAVE ON EITHER SIDE OF THE POSTS UNTIL THE FIRST LINE POST WITH A SLOT (POST 20). SEE SHEET 5.
- DESIGN LENGTH OF NEED 'LON' BEGINS 5'-3" FROM POST 4 (TYPE B3).
- CONCRETE TO BE 3,500 PSI MINIMUM. EXPOSED SURFACES TO BE HAND TROWELED. FOUNDATION DEPTH FOR USE IN FIRM SOIL OR WHEN INSTALLED SURROUNDED BY 4" MIN SURFACING.

The information herein is proprietary to BRIFEN USA, and shall not be disclosed, duplicated or used otherwise without the express written consent of BRIFEN USA, Inc.

Revisions			GENERAL LAYOUT		
No.	Date	By	USING WRGT END TERMINAL (NCHRP-350) AND TRANSITION		
1.	6.21.05	MW	Date	Drawn By	Scale
2.	6.28.05	MW	5.17.05	Manita Workman	None
3.	7.21.05	MW	VERSION 8.6		
4.	8.01.05	MW			
5.	8.04.05	MW	Dwg. No.	WRSF-05-201a	Sheet No. 1 of 11