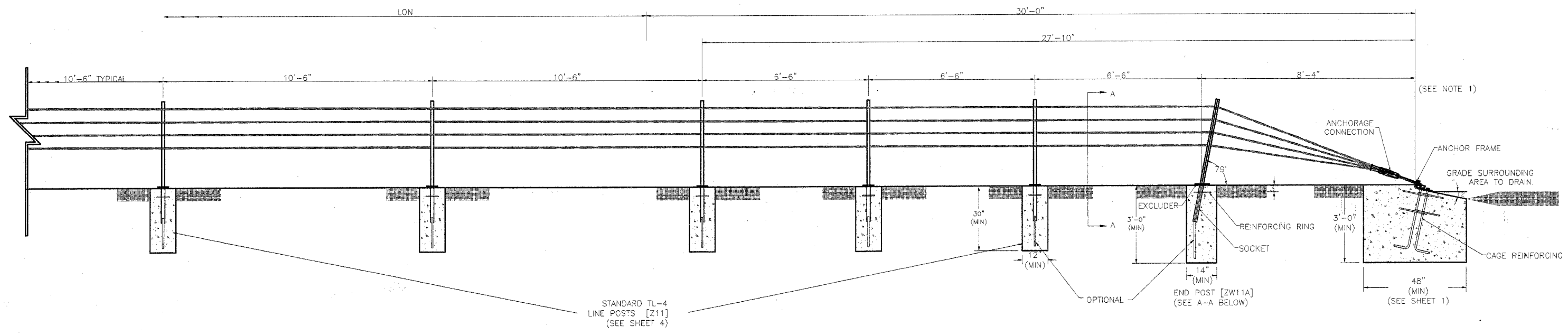
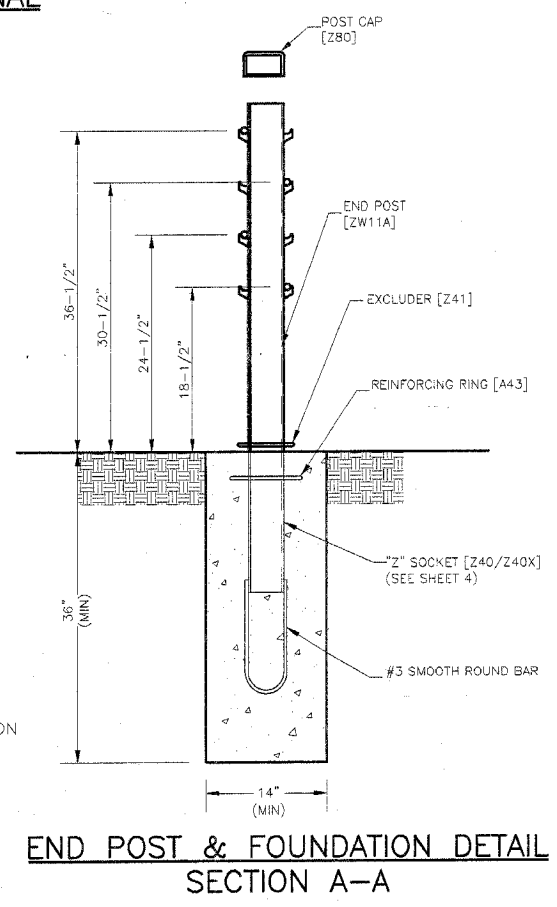


FAI RTE	SECTION	COUNTY	TOTAL SHEETS	SHEET NO.
57	2005-0381	COOK/WILL	58	58
STA.		STA.		
FED. ROAD DIST. NO.		ILLINOIS	FED. AID PROJECT	
CONTRACT NO. 60A09				



WRGT-RD TERMINAL
(SEE NOTE 1)



END POST & FOUNDATION DETAIL
SECTION A-A

- NOTE:
- MAY BE USED ON ANY TL-4 WRSF LOCATION SHIELDED FROM TRAFFIC (EXITING ENDS OF BRIDGES, ETC), OR WITHIN HORIZONTAL CLEAR ZONE ON DOWNSTREAM ENDS ONLY IF HEAD-ON IMPACTS ARE UNLIKELY.
 - FOR ADDITIONAL INFORMATION, CONTACT BRIFEN USA, INC. AT 1-866-427-4336 TOLL FREE.

The information herein is proprietary to BRIFEN USA, and shall not be disclosed, duplicated or used otherwise without the express written consent of BRIFEN USA, Inc.

Revisions			WRGT-RD END TERMINALS (FOR TL-4 SYSTEM)		
No.	Date	By	Date	Drawn By	Scale
1.	8.01.05	MW	7.21.05	Manita Workman	None
2.	8.08.05	MW			
3.			VERSION 8.6		
4.					
5.			Dwg. No.	WRSF-05-211a	Sheet No. 11 of 11