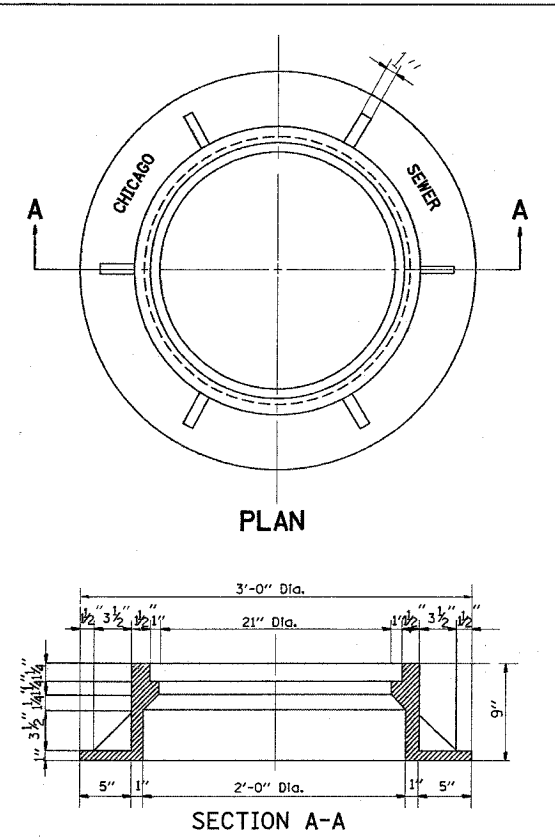
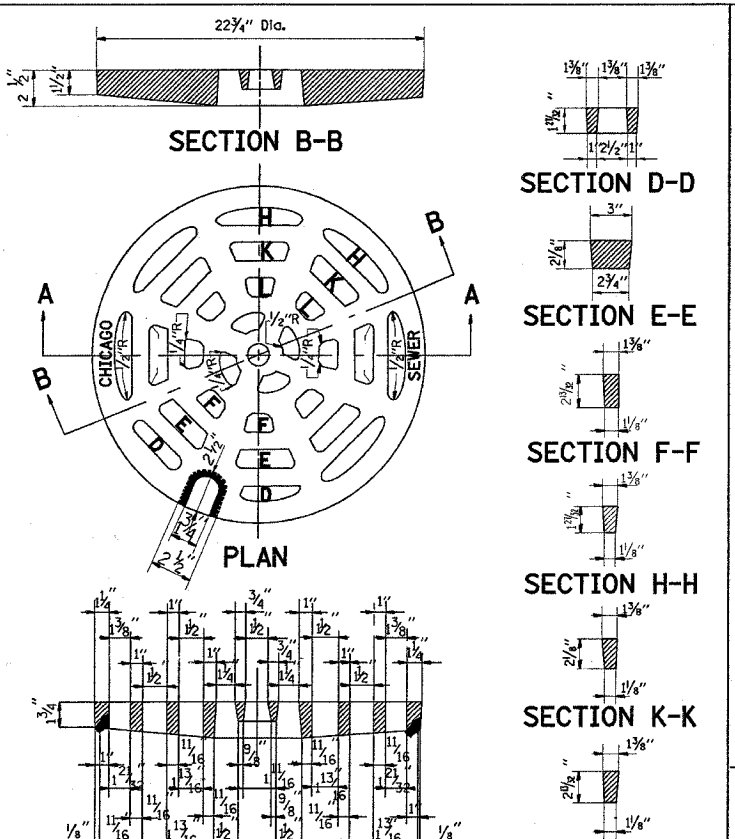


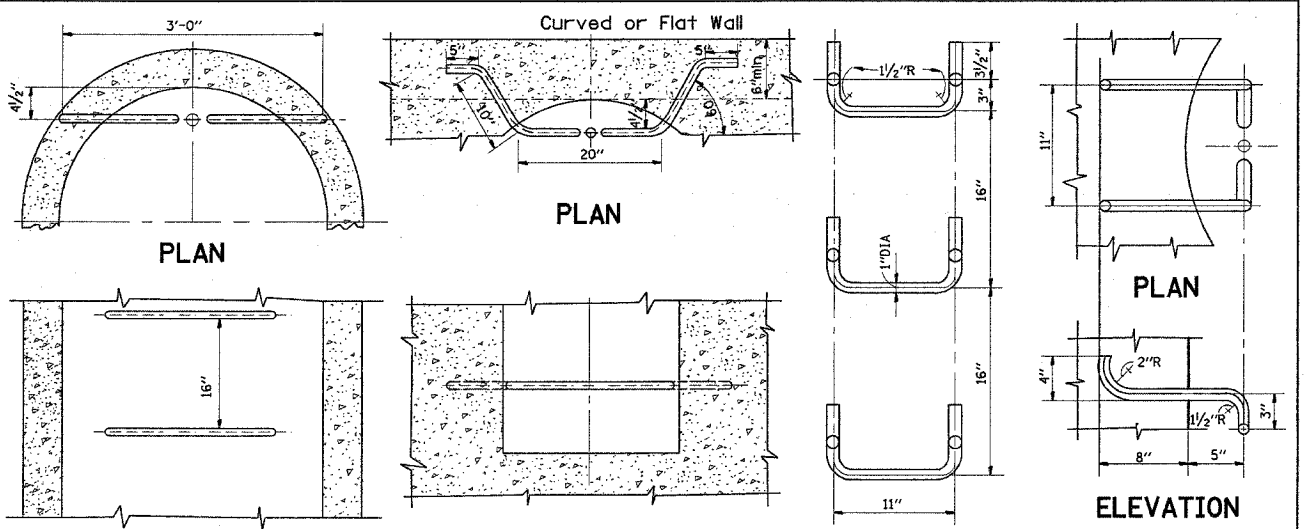
F.A.P. RTE.	SECTION	COUNTY	TOTAL SHEETS	SHEET NO.
395	0610 RS-1	COOK	26	19
STA.		TO STA.		
FED. ROAD DIST. NO.		ILLINOIS FED. AID PROJECT		



CHICAGO STANDARD MANHOLE FRAME
 Scale: 1/2"=1'-0"
 Material: Cast Iron



PERFORATED LID FOR CATCH BASINS & MANHOLES
 Scale: 2"=1'-0"
 Material: Cast Iron

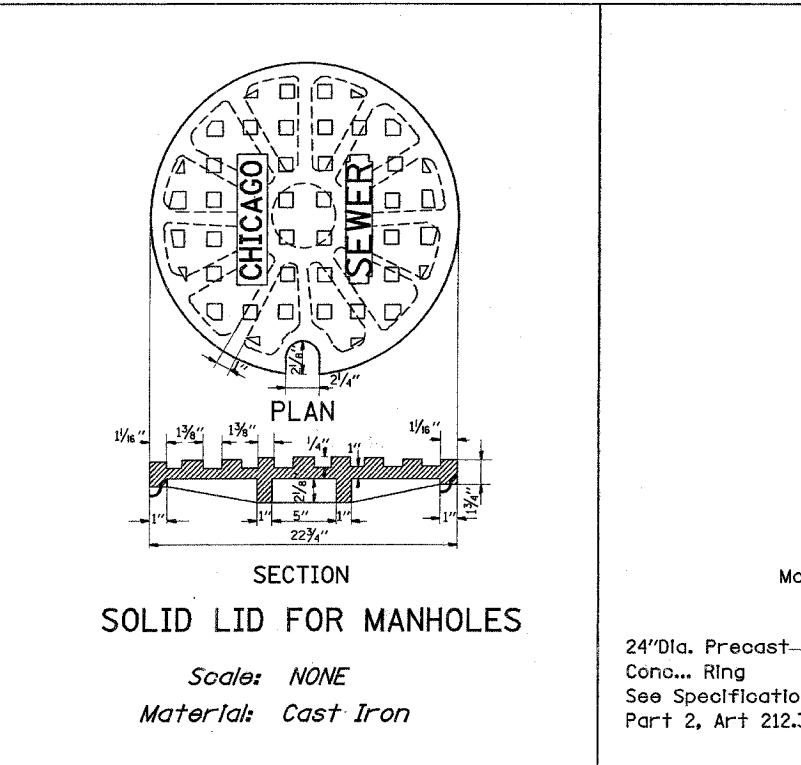


STANDARD LADDER RUNGS
 Scale: 1"=1'-0"

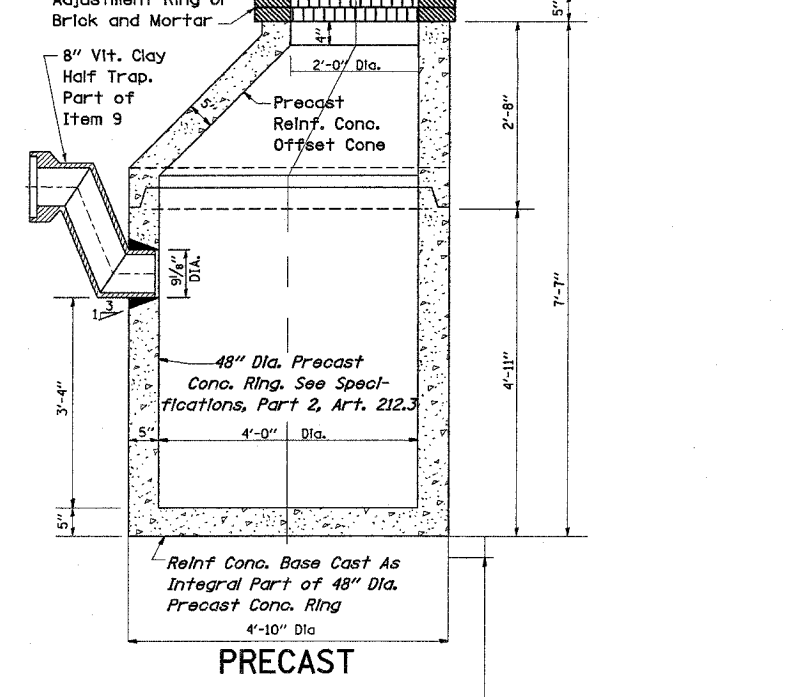
STANDARD LADDER RUNGS
 Scale: 1"=1'-0"

STANDARD LADDER RUNGS
 Scale: 1/2"=1'-0"

All Ladder Rungs Shall Be Aluminum or Galvanized Wrought Iron As Specified In Specifications, Part 2, Article 214.2. Rungs Shall Be 1" Diameter or of A Shape Having An Equivalent Cross-Sectional Area

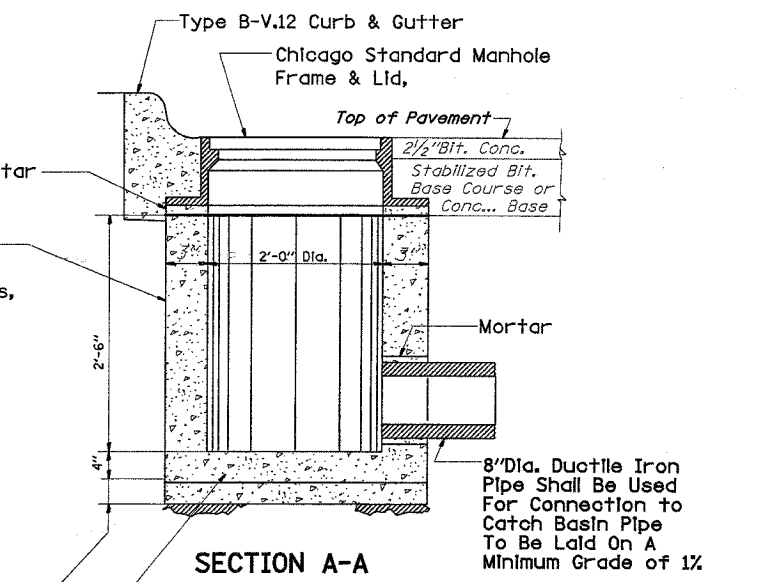
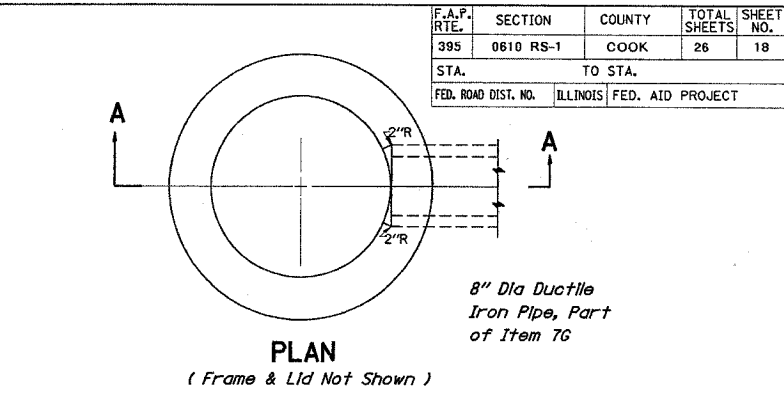


SOLID LID FOR MANHOLES
 Scale: NONE
 Material: Cast Iron



STANDARD CATCH BASINS
 Scale: 3/4"=1'-0"
 Item 9

Note: 6" Minimum Granular Embedment Under All Catch Basins



SECTION A-A

24" Dia. Precast Conc... Ring See Specifications, Part 2, Art 212.3

8" Dia. Ductile Iron Pipe Shall Be Used For Connection to Catch Basin Pipe To Be Laid On A Minimum Grade of 1%

STANDARD INLETS
 Scale 1"=1'-0"
 Item 12

This Inlet Detail Is Sometimes Referred To As "Chicago Standard Inlet, Type A"

NOTE: INLETS SHALL NOT BE CONSTRUCTED UNLESS IT IS IMPOSSIBLE TO CONSTRUCT A CATCH BASIN. THE CONTRACTOR SHALL HAVE THE DEPARTMENT OF SEWERS APPROVAL BEFORE CONSTRUCTING INLETS

REVISIONS	
NAME	DATE
M. GOMEZ	01/25/01

CITY OF CHICAGO
 DEPARTMENT OF SEWERS
 ENGINEERING DIVISION

ILLINOIS DEPARTMENT OF TRANSPORTATION
 CITY OF CHICAGO
 CATCH BASIN, INLET AND
 MANHOLE DETAILS

SCALE: VERT. HORIZ. DATE 10/3/2005

DRAWN BY
 CHECKED BY
 B0600-13 (B047)
 REVISION DATE: 01/25/01