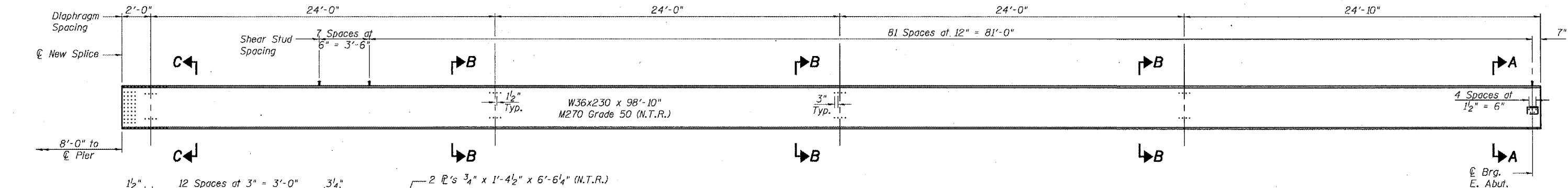


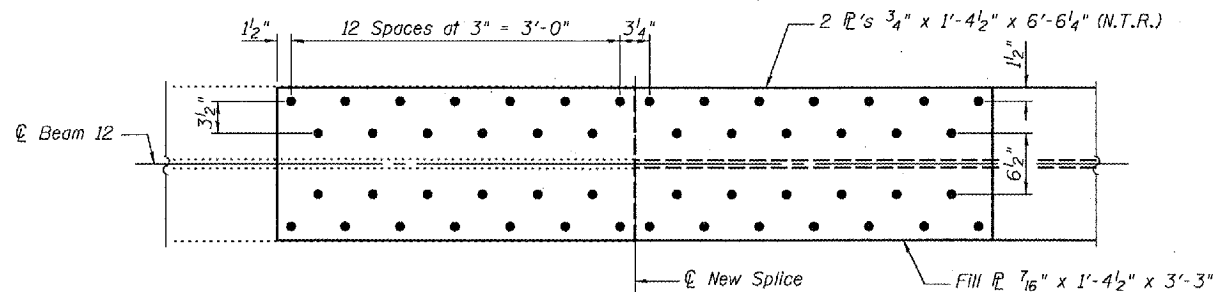
STATE OF ILLINOIS  
DEPARTMENT OF TRANSPORTATION

ROUTE NO.	SECTION	COUNTY	SHEETS	SHEET NO.
5AP		Cook	17	12
FED. ROAD DIST. NO. 7	ILLINOIS	FED. AID PROJECT		

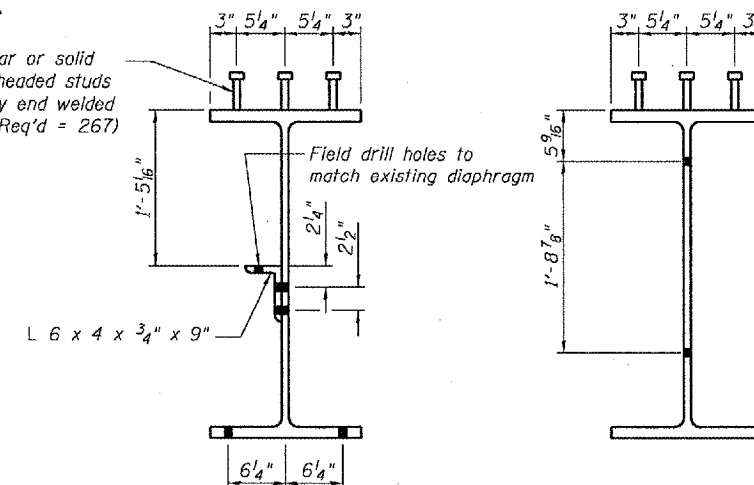
Contract Number: 62956



**ELEVATION BEAM 12**



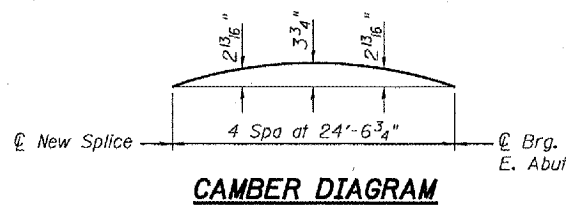
3/4" Granular or solid flux-filled headed studs automatically end welded (Typ.) (no. Req'd = 267)



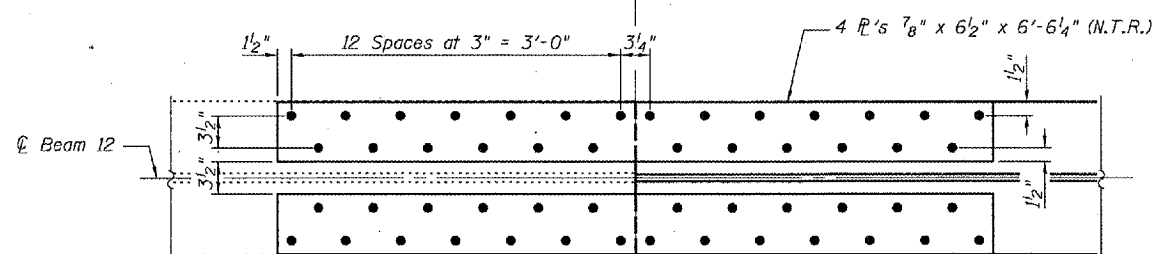
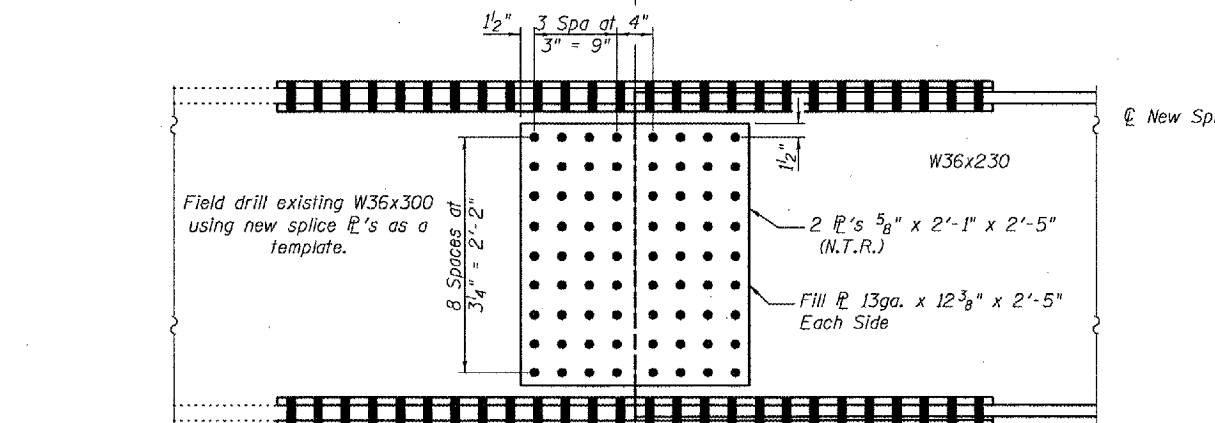
**SECTION A-A**

**SECTION B-B**

**SECTION C-C**

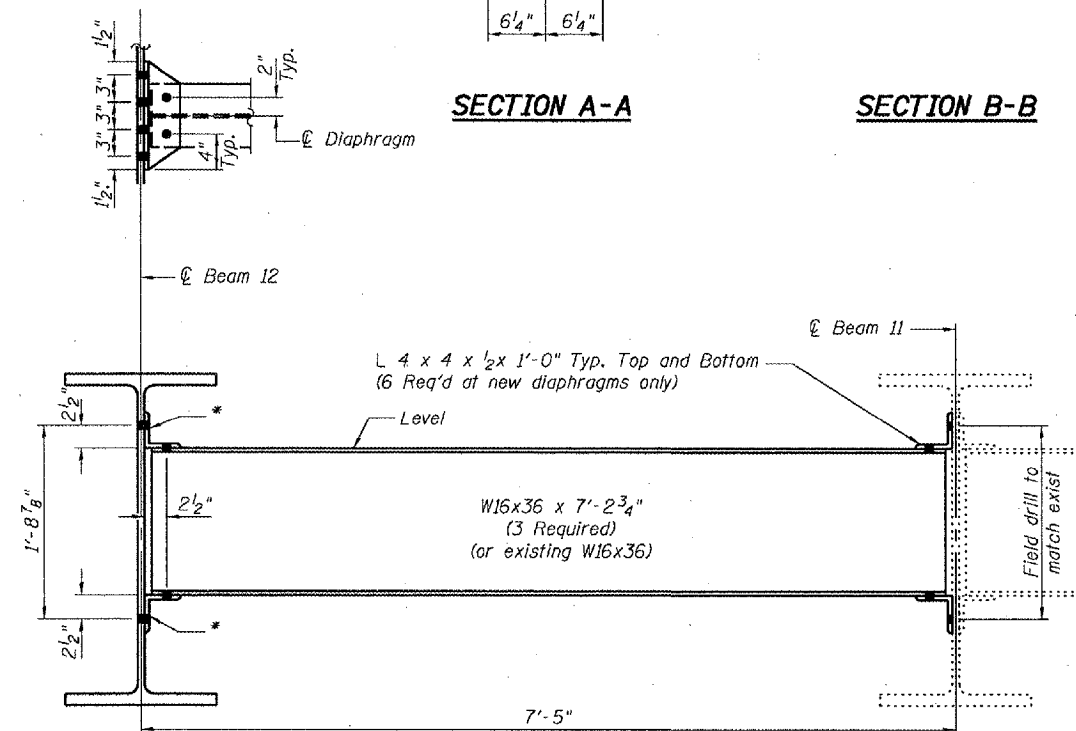


**CAMBER DIAGRAM**



**NEW SPLICE**  
M270 - Grade 50

\*Provide temporary bolts and clip angles with slotted holes on vertical leg to allow beam to deflect 2 1/2" at mid-point during deck pour. Bolts shall be finger tightened only. After the deck has cured and prior to pouring sidewalk and parapets, replace with permanent bolts and L 4 x 4 x 1/2" x 1'-0". Field drill holes in vertical leg using holes in new beam as template. (No. Req'd = 8 permanent, 8 temporary). Cost of temporary clip angles and bolts is included with Furnishing and Erecting Structural Steel.



**TYPICAL INTERMEDIATE DIAPHRAGM DETAIL**

N.T.R. - indicates Notch Toughness Requirements. (See General Notes)

DESIGNED	A.T.H.
CHECKED	S.J.B.
DRAWN	Drew Christopher
CHECKED	A.T.H. S.J.B.

January 18, 2006	
EXAMINED	John A. Morris ENGINEER OF STRUCTURAL SERVICES
PASSED	Ralph E. Anderson ENGINEER OF BRIDGES AND STRUCTURES

**BEAM DETAILS**  
**F.A.I. RT. 90/94**  
**COOK COUNTY**  
**SN 016-0478**