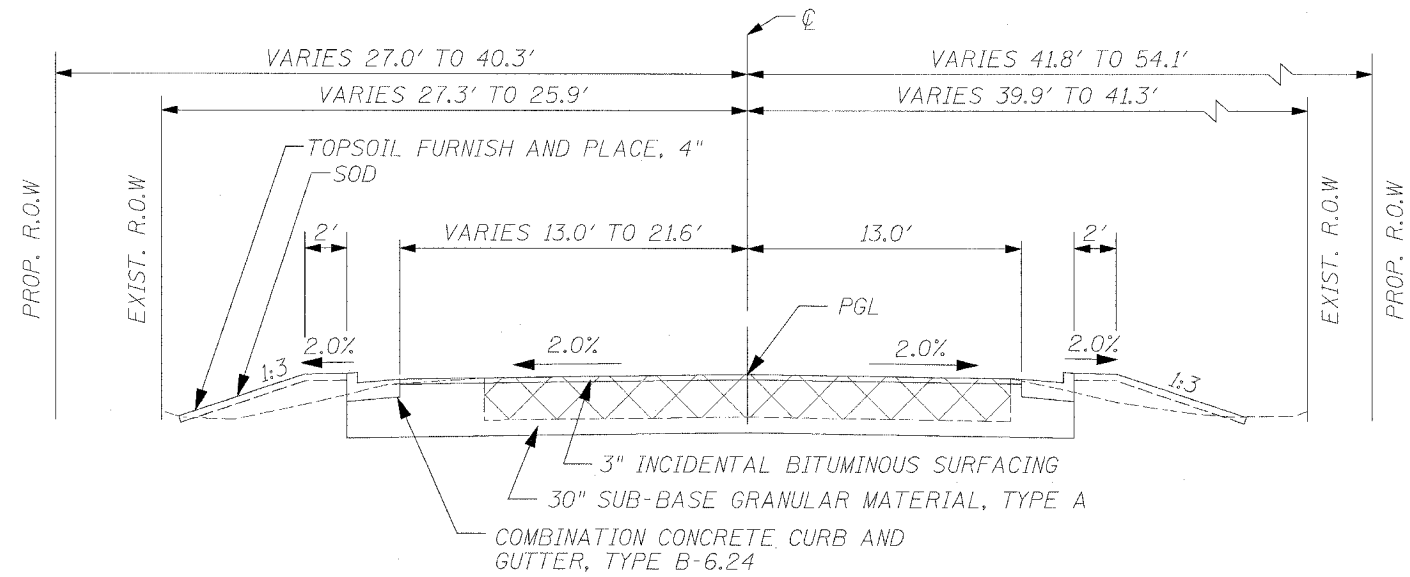


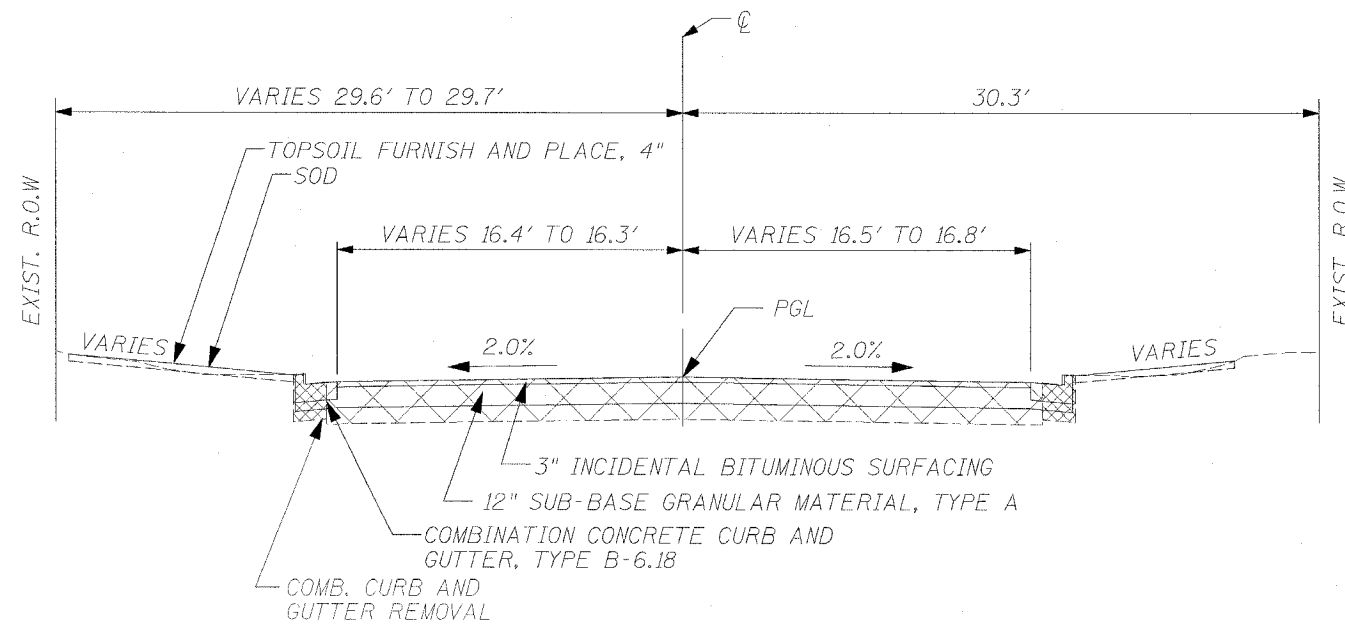
F.A.P. RTE.	SECTION	COUNTY	TOTAL SHEETS	SHEET NO.
309	16R-2	WHITESIDE	547	18
STA.		TO STA.		
FED. ROAD DIST. NO. 2 ILLINOIS FED. AID PROJECT				



SAWYER RD. TYPICAL SECTION
 LT. STA. 7+50.98 TO STA. 8+97.50
 RT. STA. 7+74.20 TO STA. 8+97.50

NOTES:

1. PROTECTIVE COAT SHALL BE PROVIDED ON COMB. CONC. CURB & GUTTER AND P.C.C. PAVEMENT IF CONSTRUCTED AFTER OCT. 15TH AND TRAFFIC IS ANTICIPATED PRIOR TO THE FOLLOWING APRIL 15TH.



SYCAMORE ST. TYPICAL SECTION
 STA. 5+49.22 TO STA. 6+00.00

REVISIONS	
NAME	DATE

ILLINOIS DEPARTMENT OF TRANSPORTATION
 TYPICAL SECTION (SHEET 6 OF 7)
 FAP ROUTE 309 (US 30)
 SECTION 16R-2
 EAST CONTRACT
 FROM 0.2 MILE EAST OF JACKSON ST.
 TO FRENCH CREEK, WHITESIDE COUNTY

SCALE: N.T.S. DRAWN BY CAM
 DATE 08/11/05 CHECKED BY RDY