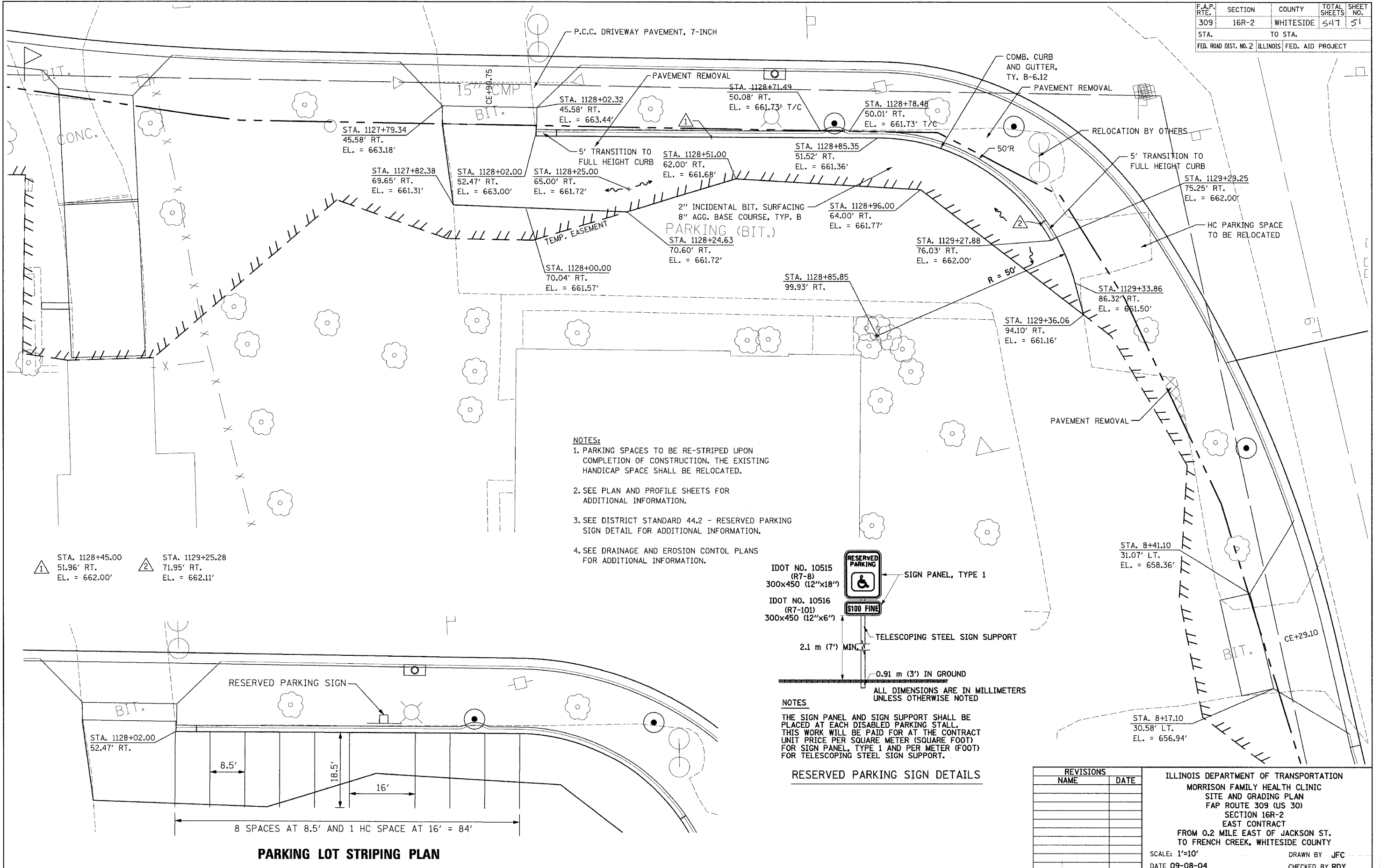
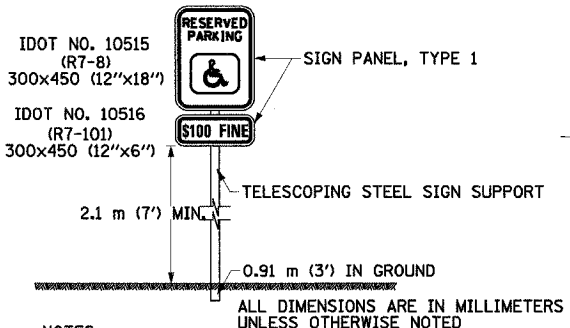


F.A.P. RTE.	SECTION	COUNTY	TOTAL SHEETS	SHEET NO.
309	16R-2	WHITESIDE	647	51
STA. TO STA.		FED. ROAD DIST. NO. 2 ILLINOIS FED. AID PROJECT		



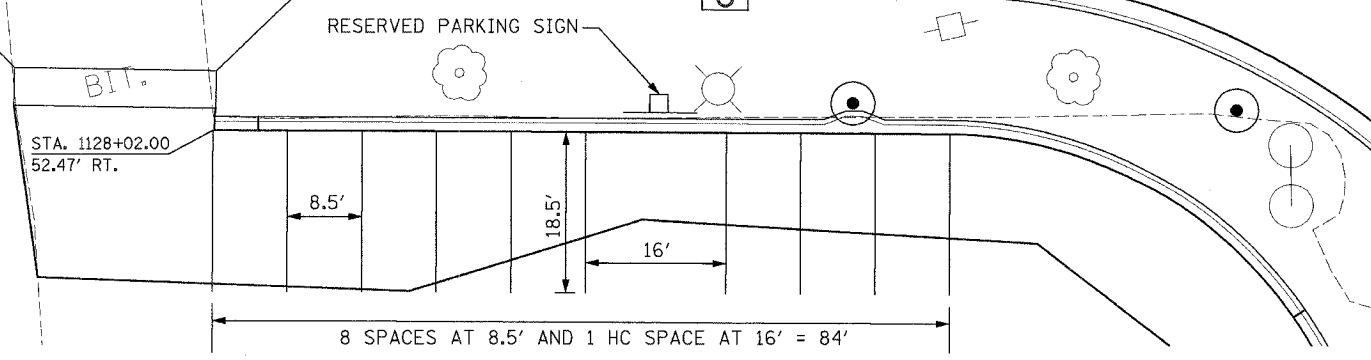
- NOTES:**
1. PARKING SPACES TO BE RE-STRIPED UPON COMPLETION OF CONSTRUCTION. THE EXISTING HANDICAP SPACE SHALL BE RELOCATED.
  2. SEE PLAN AND PROFILE SHEETS FOR ADDITIONAL INFORMATION.
  3. SEE DISTRICT STANDARD 44.2 - RESERVED PARKING SIGN DETAIL FOR ADDITIONAL INFORMATION.
  4. SEE DRAINAGE AND EROSION CONTROL PLANS FOR ADDITIONAL INFORMATION.



**NOTES**

THE SIGN PANEL AND SIGN SUPPORT SHALL BE PLACED AT EACH DISABLED PARKING STALL. THIS WORK WILL BE PAID FOR AT THE CONTRACT UNIT PRICE PER SQUARE METER (SQUARE FOOT) FOR SIGN PANEL, TYPE 1 AND PER METER (FOOT) FOR TELESCOPING STEEL SIGN SUPPORT.

**RESERVED PARKING SIGN DETAILS**



**PARKING LOT STRIPING PLAN**

REVISIONS	
NAME	DATE

ILLINOIS DEPARTMENT OF TRANSPORTATION  
 MORRISON FAMILY HEALTH CLINIC  
 SITE AND GRADING PLAN  
 FAP ROUTE 309 (US 30)  
 SECTION 16R-2  
 EAST CONTRACT  
 FROM 0.2 MILE EAST OF JACKSON ST.  
 TO FRENCH CREEK, WHITESIDE COUNTY

SCALE: 1"=10'  
 DATE 09-08-04  
 DRAWN BY JFC  
 CHECKED BY RDY