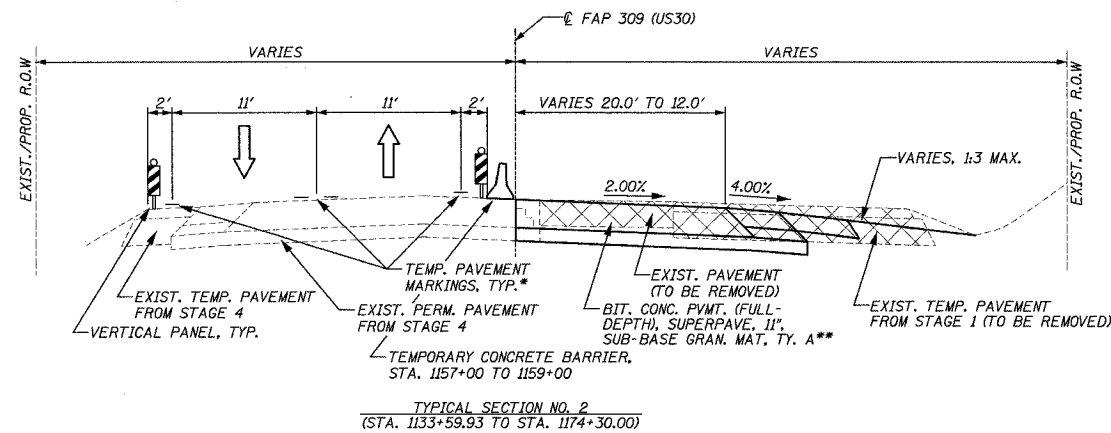
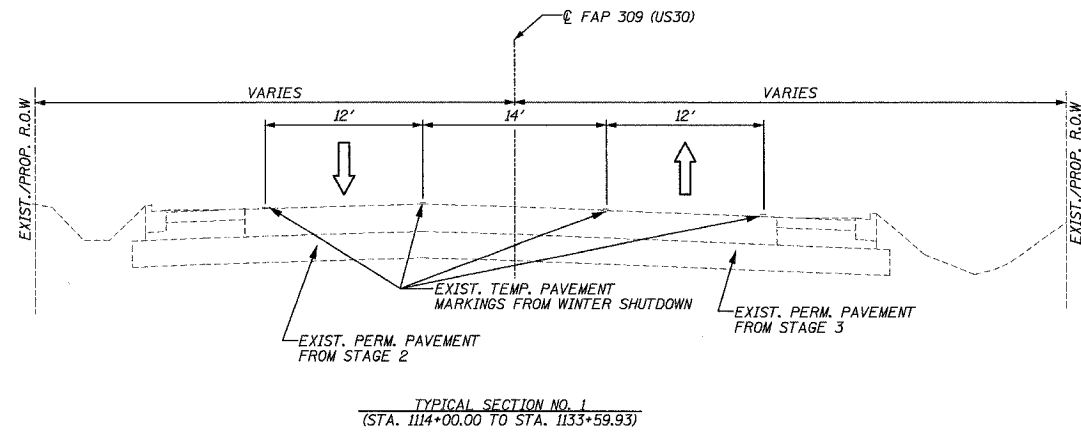


F.A.P. RTE.	SECTION	COUNTY	TOTAL SHEETS	SHEET NO.
309	16R-2	WHITESIDE	547	94
STA.	TO STA.			
FED. ROAD DIST. NO. 2 ILLINOIS FED. AID PROJECT				



STAGE 5

GENERAL NOTES:

ALL TEMPORARY PAVEMENT MARKINGS FOR STAGES 2, 3, 4 AND 5, INCLUDING EDGE LINES, CENTER LINES, LANE LINES, TAPERS, MEDIAN DIAGONALS, STOP BARS, LETTERS & SYMBOLS, AND ANY OTHER TEMPORARY MARKINGS AS REQUIRED BY THE ENGINEER, AND THEIR REMOVAL SHALL BE INCLUDED IN THE COST OF TRAFFIC CONTROL AND PROTECTION, STANDARD 70133L THIS WORK SHALL BE PERFORMED ACCORDING TO SECTIONS 701 AND 703 OF THE STANDARD SPECIFICATIONS AND AS DIRECTED BY THE ENGINEER.

ACCESS TO ENTRANCES AND LOCAL ROADS WITHIN THE PROJECT AREA WILL BE MAINTAINED AT ALL TIMES, UNLESS OTHERWISE SPECIFIED IN TRAFFIC NOTES. DRAINAGE TO EXISTING AND PROPOSED DRAINAGE STRUCTURES TO BE MAINTAINED AT ALL TIMES.

TRAFFIC NOTES:

SHIFT TRAFFIC AS SHOWN ON THE PLANS UTILIZING TEMPORARY PAVEMENT MARKINGS AND TRAFFIC CONTROL DEVICES SHOWN ON THE STAGING PLANS AND APPLICABLE TRAFFIC CONTROL STANDARDS.

MAINTAIN ONE (1) LANE OF TRAFFIC IN EACH DIRECTION WHILE MAINTAINING ACCESS TO ALL ENTRANCES AND EXITS AS SHOWN ON THE STAGING PLANS. UTILIZE TRAFFIC CONTROL STANDARDS AS SHOWN ON THE STAGING PLANS.

CONSTRUCTION/SEQUENCE OF STAGING NOTES:

PLACE TEMPORARY PAVEMENT MARKINGS AS SHOWN ON THE STAGING PLANS AND REMOVE ANY CONFLICTING EXISTING PAVEMENT MARKINGS. REMOVE EXISTING PAVEMENT, SHOULDERS, TEMPORARY PAVEMENT AND OTHER ITEMS APPLICABLE AS SHOWN IN THE PLAN AND PROFILE PLANS. CONSTRUCT THE PERMANENT CULVERT AT STATION 1158+14.82 RT TO THE LIMITS SHOWN ON THE PLANS. CONSTRUCT THE PERMANENT PAVEMENT, SHOULDERS AND ENTRANCES AS SHOWN ON THE STAGING PLANS. CONSTRUCT DITCHING AND PERMANENT CULVERTS AS SHOWN ON THE STAGING PLANS.

- SEE MAINTENANCE OF TRAFFIC PLANS FOR COLOR OF TEMPORARY PAVEMENT MARKINGS AND ADDITIONAL LOCATION INFORMATION.
- FINAL SURFACE CONSTRUCTED AT END OF STAGE 6.

REVISIONS	
NAME	DATE

ILLINOIS DEPARTMENT OF TRANSPORTATION  
 MAINTENANCE OF TRAFFIC,  
 TYPICAL SECTIONS, STAGE 5  
 FAP ROUTE 309 (US 30), SECTION 16R-2  
 EAST CONTRACT  
 FROM 0.2 MILE EAST OF JACKSON  
 ST. TO FRENCH CREEK  
 WHITESIDE COUNTY

SCALE: N.T.S. DRAWN BY CAM  
 DATE 08/19/04 CHECKED BY RDY