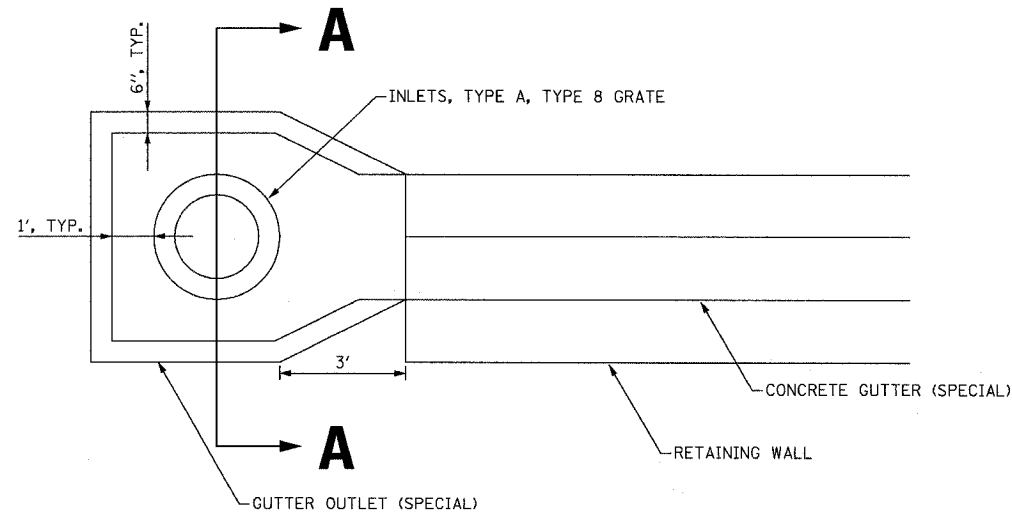
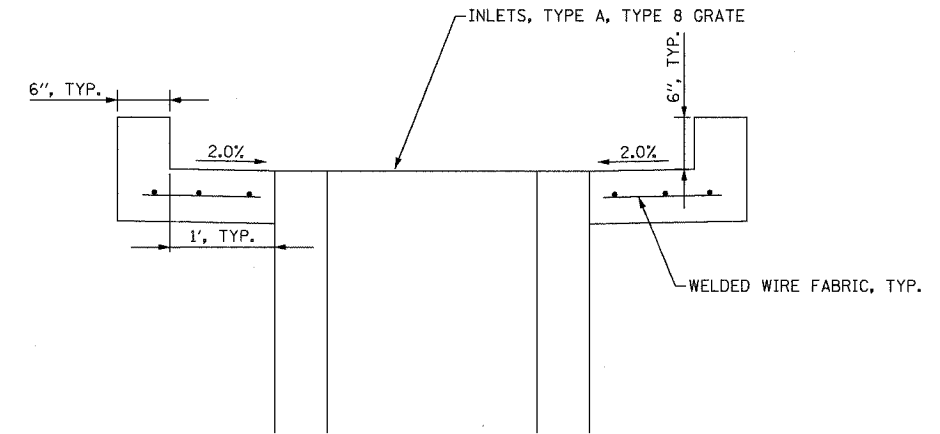


F.A.P. RTE.	SECTION	COUNTY	TOTAL SHEETS	SHEET NO.
309	16R-2	WHITESIDE	517	205
STA.		TO STA.		
FED. ROAD DIST. NO. 2		ILLINOIS		FED. AID PROJECT



**PLAN**



**SECTION A-A**

**NOTES:**

THIS WORK SHALL BE DONE IN ACCORDANCE WITH THIS DETAIL AND SECTION 606 OF THE STANDARD SPECIFICATIONS FOR ROAD AND BRIDGE CONSTRUCTION. THIS WORK SHALL BE PAID FOR AT THE CONTRACT UNIT PRICE PER EACH OF GUTTER OUTLET (SPECIAL).

ALL DIMENSIONS ARE IN INCHES UNLESS OTHERWISE NOTED.

REVISIONS	
NAME	DATE

ILLINOIS DEPARTMENT OF TRANSPORTATION  
 GUTTER OUTLET (SPECIAL) DETAIL  
 FAP ROUTE 309 (US 30) SECTION 16R-2  
 EAST CONTRACT FROM  
 0.2 MILE EAST OF JACKSON ST.  
 TO FRENCH CREEK, WHITESIDE COUNTY

SCALE: N.T.S.  
 DATE 08/19/04

DRAWN BY CAM  
 CHECKED BY RDY