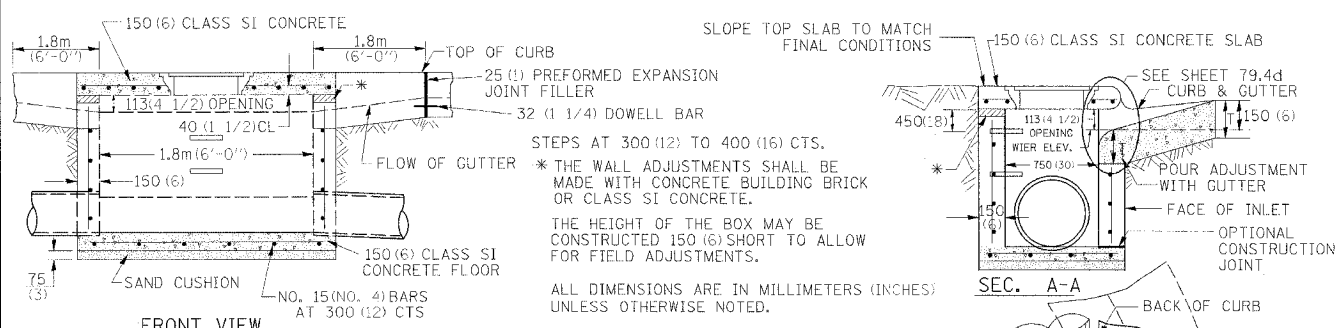


F.A.P. RITE.	SECTION	COUNTY	TOTAL SHEETS	SHEET NO.
309	16R-2	WHITESIDE	541	201
STA.	TO STA.			
FED. ROAD DIST. NO. 2 ILLINOIS FED. AID PROJECT				

# INLET SPECIAL NO. 5



**FRONT VIEW**

**NOTES**

SEE STANDARD 602701 FOR DETAILS OF STEPS. 25 (1) PREFORMED EXPANSION JOINTS AS SHOWN SHALL BE PROVIDED ON EACH SIDE OF INLET. CLASS SI CONCRETE OR PRECAST CONCRETE SHALL BE USED THROUGHOUT.

THE SIDE WALLS MAY BE BUILT AS PRECAST SEGMENTAL SECTIONS. REINFORCEMENT FOR INLET SPECIAL NO. 5 SHALL BE ACCORDING TO DISTRICT STANDARD 79.4e

**LIGHT WEIGHT MANHOLE CASTING**

762 (30)  
610 (24)  
19 (3/4)  
559 (22)  
603 (23 3/4)  
89 (3 1/2)

TOTAL WEIGHT 73 KG. (160 LBS.)

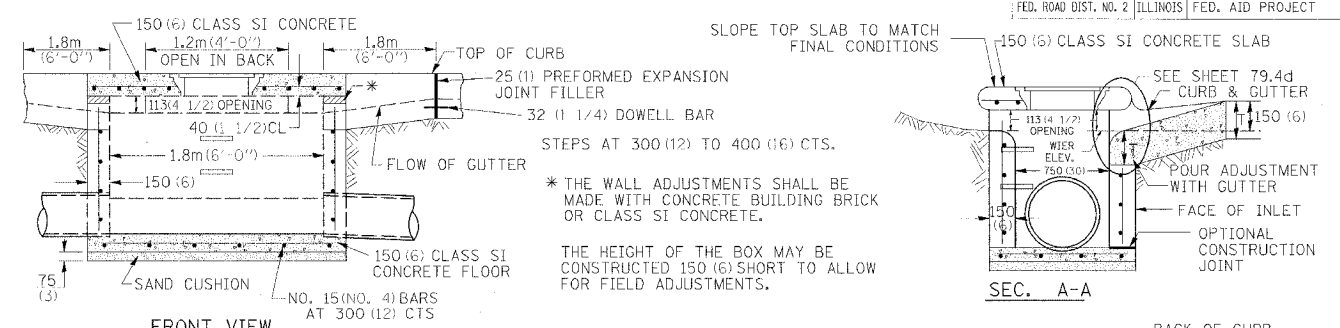
**SECTION A-A**

**TOP VIEW**

**INLET SPECIAL NO. 5 79.4b**

REVISED 4-4-05

# INLET SPECIAL NO. 6



**FRONT VIEW**

**NOTES**

SEE STANDARD 602701 FOR DETAILS OF STEPS. 25 (1) PREFORMED EXPANSION JOINTS AS SHOWN SHALL BE PROVIDED ON EACH SIDE OF INLET. CLASS SI CONCRETE OR PRECAST CONCRETE SHALL BE USED THROUGHOUT.

THE SIDE WALLS MAY BE BUILT AS PRECAST SEGMENTAL SECTIONS. REINFORCEMENT FOR INLET SPECIAL NO. 6 SHALL BE ACCORDING TO DISTRICT STANDARD 79.4e

**LIGHT WEIGHT MANHOLE CASTING**

762 (30)  
610 (24)  
19 (3/4)  
559 (22)  
603 (23 3/4)  
89 (3 1/2)

TOTAL WEIGHT 73 KG. (160 LBS.)

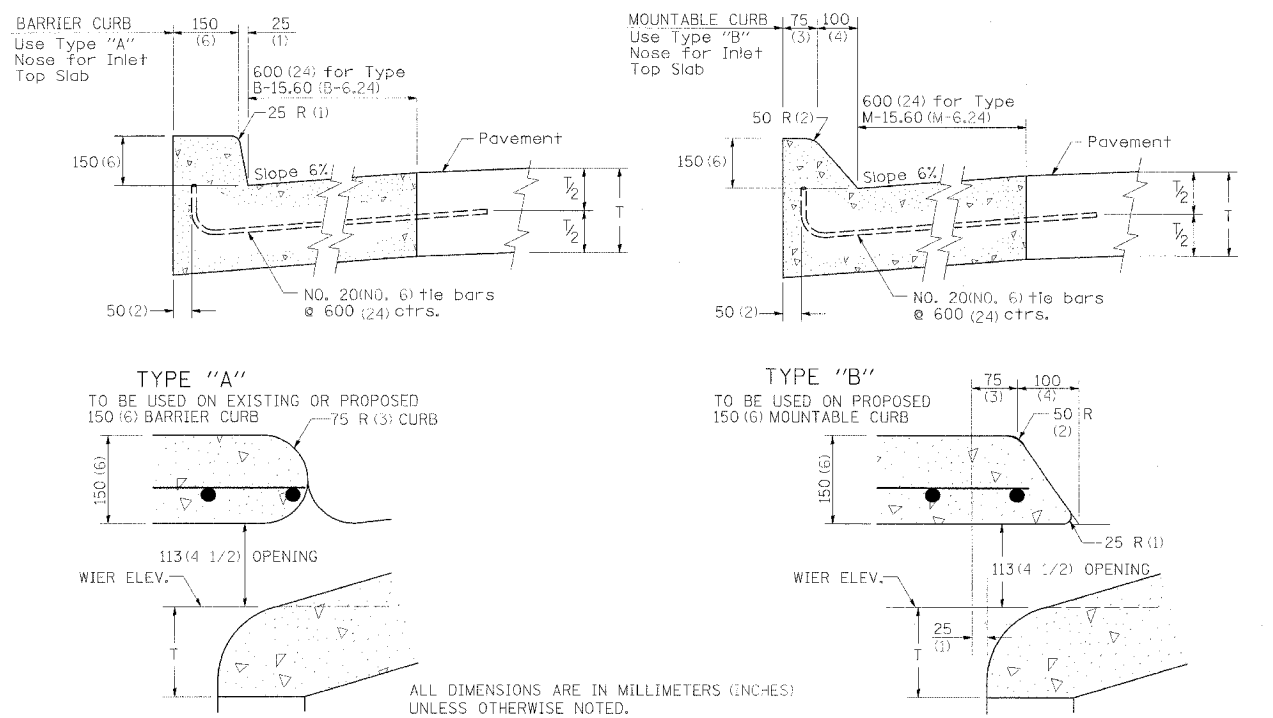
**SECTION A-A**

**TOP VIEW**

**INLET SPECIAL NO. 6 79.4c**

REVISED 4-4-05

# NOSE TYPE FOR INLET TOP SLAB



**TYPE "A"**  
TO BE USED ON EXISTING OR PROPOSED 150 (6) BARRIER CURB

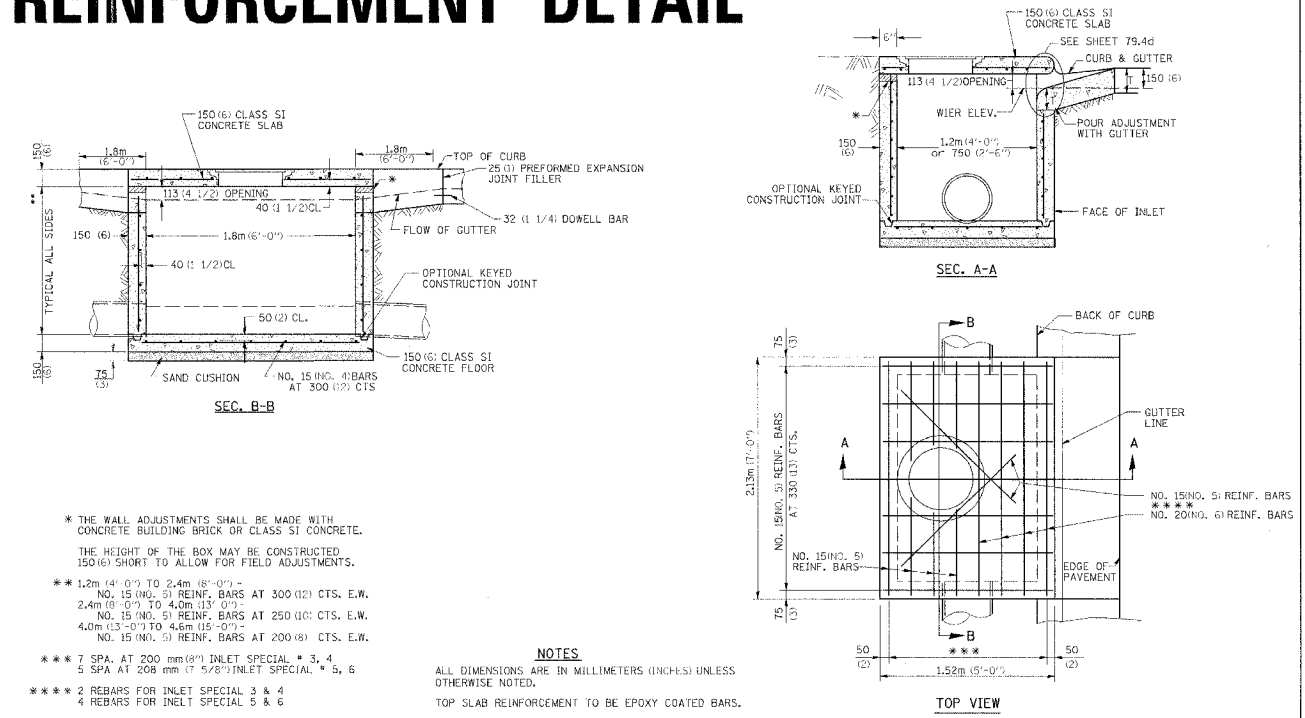
**TYPE "B"**  
TO BE USED ON PROPOSED 150 (6) MOUNTABLE CURB

ALL DIMENSIONS ARE IN MILLIMETERS (INCHES) UNLESS OTHERWISE NOTED.

**NOSE TYPE FOR INLET TOP SLAB 79.4d**

REVISED 2-14-95

# INLET SPECIAL NO. 3, 4, 5, 6 REINFORCEMENT DETAIL



**SECTION B-B**

**TOP VIEW**

**NOTES**

THE WALL ADJUSTMENTS SHALL BE MADE WITH CONCRETE BUILDING BRICK OR CLASS SI CONCRETE. THE HEIGHT OF THE BOX MAY BE CONSTRUCTED 150 (6) SHORT TO ALLOW FOR FIELD ADJUSTMENTS.

1.2m (4'-0") TO 2.4m (8'-0") - NO. 15 (NO. 5) REINF. BARS AT 300 (12) CTS. E.W.  
2.4m (8'-0") TO 4.0m (13'-0") - NO. 15 (NO. 5) REINF. BARS AT 250 (10) CTS. E.W.  
4.0m (13'-0") TO 4.6m (15'-0") - NO. 15 (NO. 5) REINF. BARS AT 200 (8) CTS. E.W.

7 SPA. AT 200 mm (8") INLET SPECIAL \* 3, 4  
5 SPA. AT 208 mm (8 1/8") INLET SPECIAL \* 5, 6

2 REBARS FOR INLET SPECIAL 3 & 4  
4 REBARS FOR INLET SPECIAL 5 & 6

ALL DIMENSIONS ARE IN MILLIMETERS (INCHES) UNLESS OTHERWISE NOTED.  
TOP SLAB REINFORCEMENT TO BE EPOXY COATED BARS.

**INLET SPECIAL NO. 3, 4, 5, 6 REINFORCEMENT DETAIL 79.4e**

REVISED 4-4-05

PLOT DATE = #DATE#  
FILE NAME = #FILES#  
PLOT SCALE = #SCALE#  
REFERENCE = #REF#

12/12/2005 10:27:24 AM