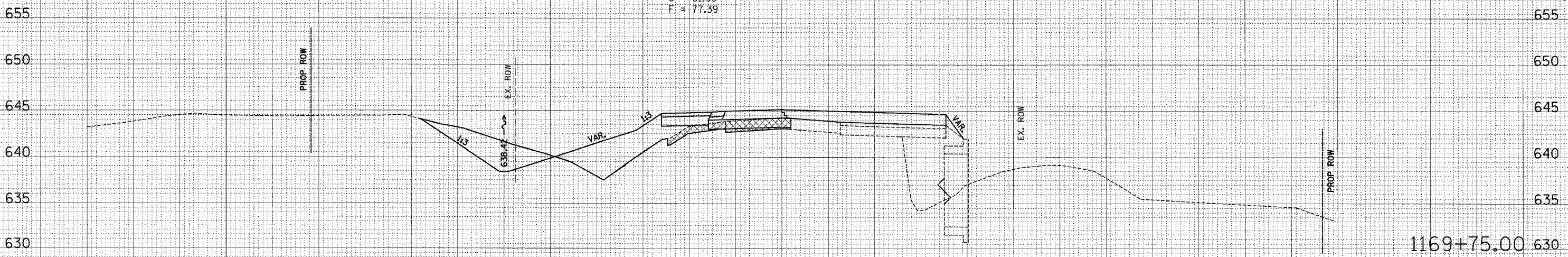
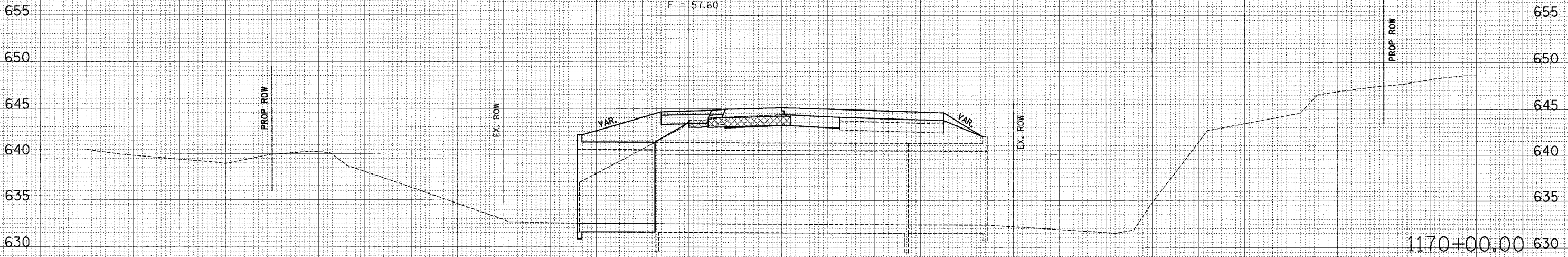


F.A.P. RTE.	SECTION	COUNTY	TOTAL SHEETS	SHEET NO.
309	16R-2	WHITESIDE	547	396
STA. 1169+75.00		TO STA. 1170+00.00		
FED. ROAD DIST. NO. 2 ILLINOIS FED. AID PROJECT				

160 150 140 130 120 110 100 90 80 70 60 50 40 30 20 10 0 10 20 30 40 50 60 70 80 90 100 110 120 130 140 150 160



160 150 140 130 120 110 100 90 80 70 60 50 40 30 20 10 0 10 20 30 40 50 60 70 80 90 100 110 120 130 140 150 160

BY	DATE

BY	DATE

PLOT DATE = #DATE#  
FILE NAME = #FILE#  
PLOT SCALE = #SCALE#  
USER NAME = #USER#