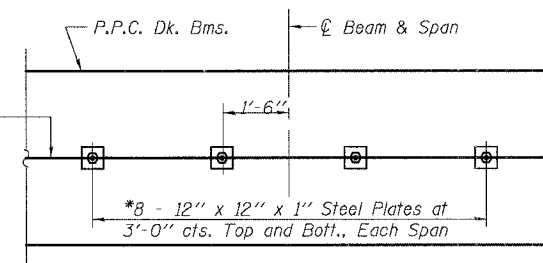
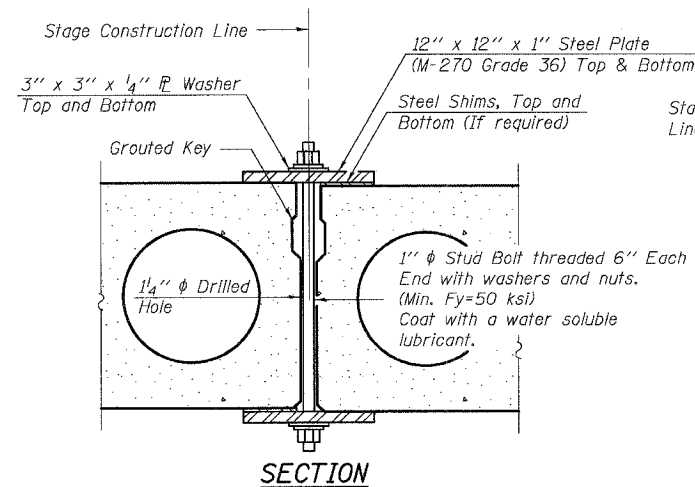
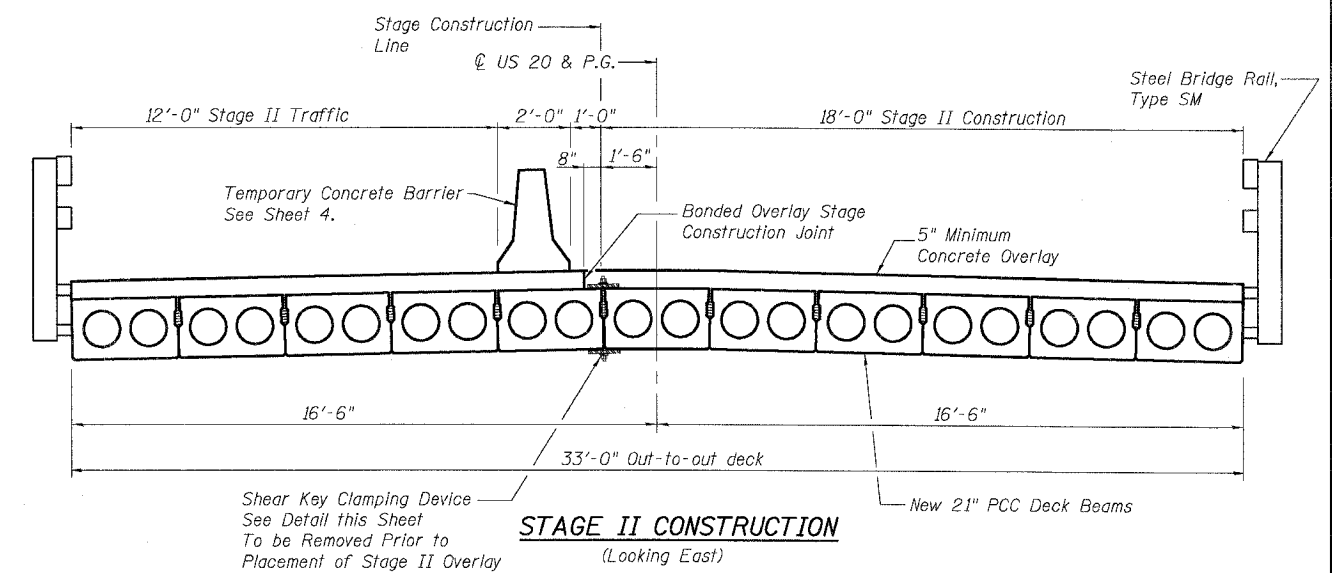
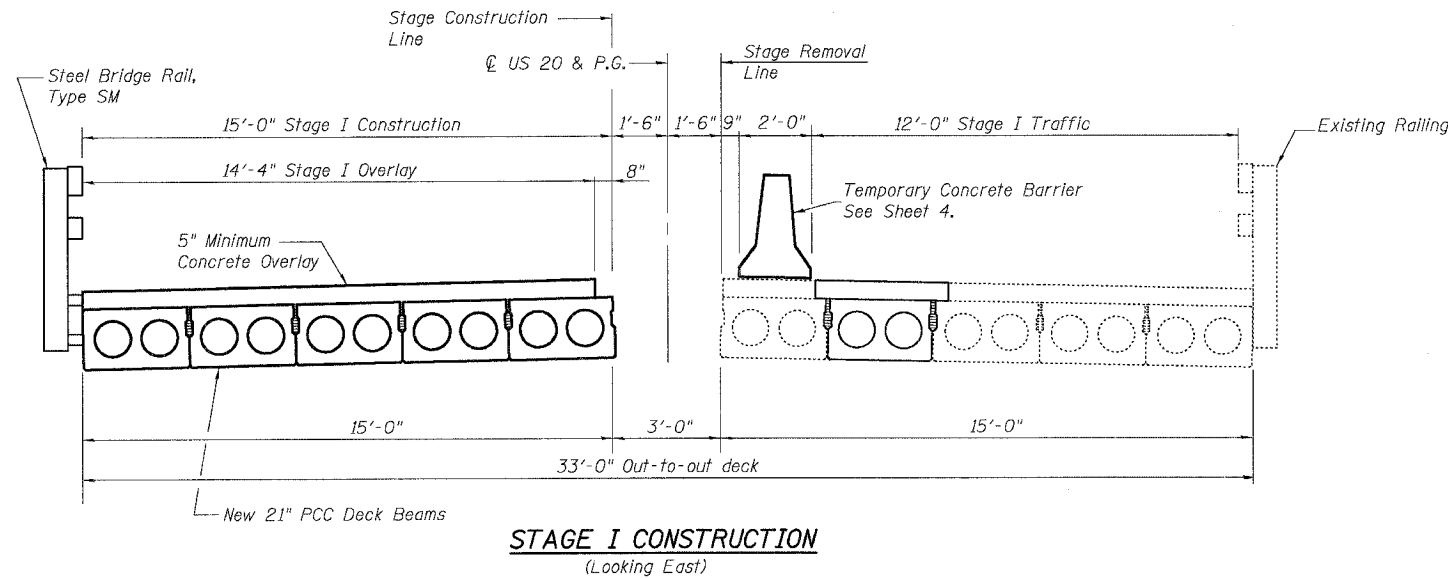
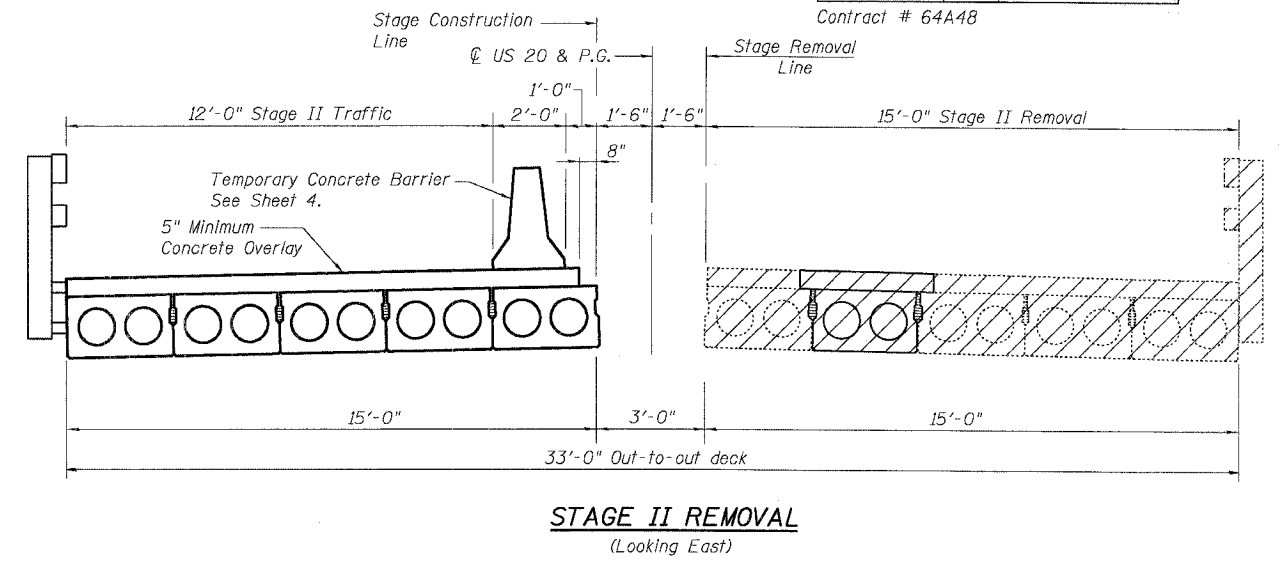
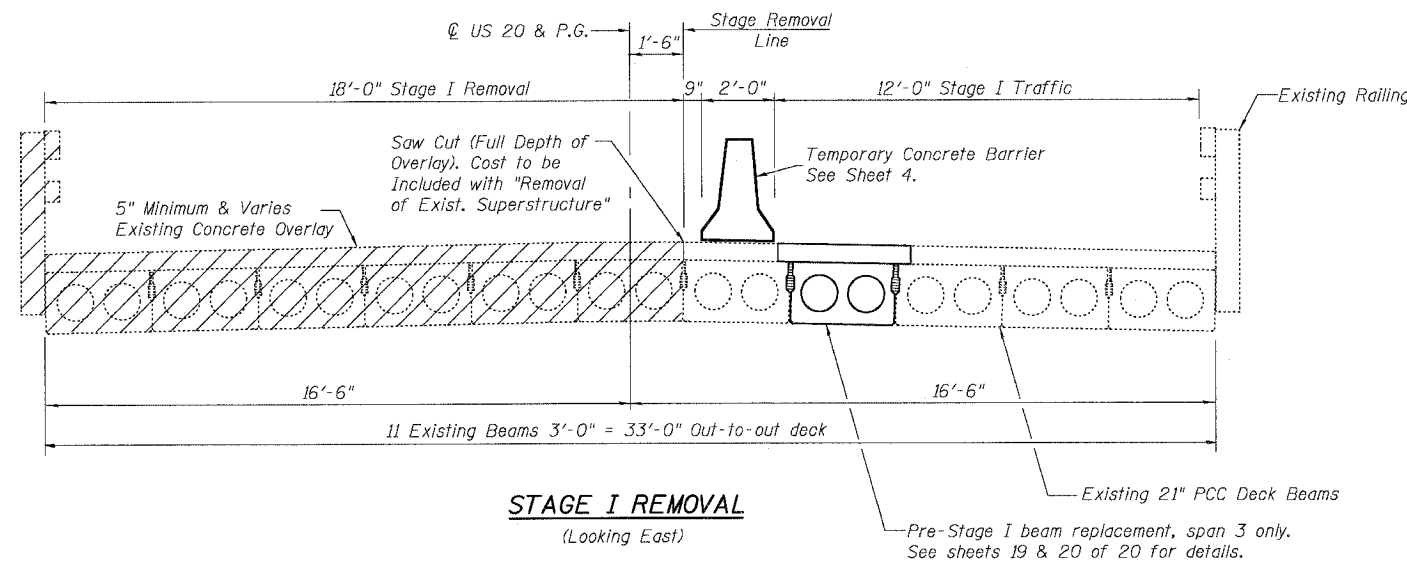


STATE OF ILLINOIS
DEPARTMENT OF TRANSPORTATION

ROUTE NO.	SECTION	COUNTY	TOTAL SHEETS	SHEET NO.
FAP 301	24BR-1	JO DAVIESS	50	13
FED. ROAD DIST. NO. 7		ILLINOIS	FED. AID PROJECT	

SHEET NO. 3
20 SHEETS

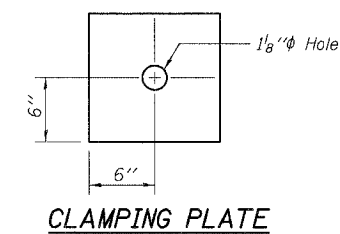
Contract # 64A48



SHEAR KEY CLAMPING DETAILS AT STAGE CONST. JT.

*Space to miss transverse reinforcement in wearing surface

See Special Provisions for Stage Construction of Precast Prestressed Concrete Deck Beams.
Cost included with "Precast Prestressed Concrete Deck Beams (21" Depth)".
See Stage Construction Details for traffic lanes.



LEGEND

- Removal of Existing Superstructure
- Existing Superstructure
- New Construction

STAGE REMOVAL & CONSTRUCTION

U.S. 20 OVER RUSH CREEK
F.A.P. ROUTE 301 - SEC. 24BR-1
JO DAVIESS COUNTY
STATION 2023+29.43
S.N. 043-0036

DESIGNED	DF
CHECKED	CB
DRAWN	RG
CHECKED	DF