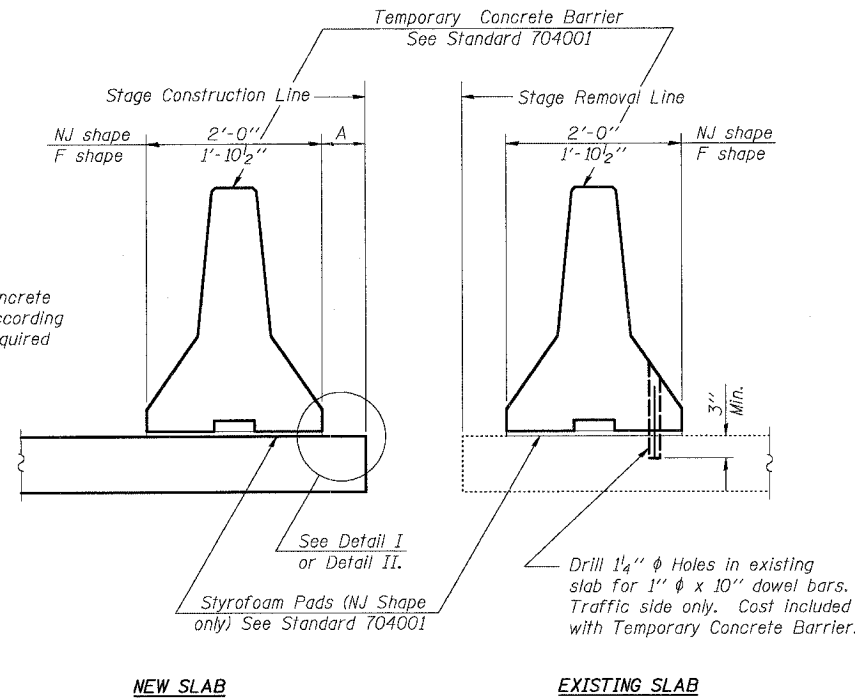


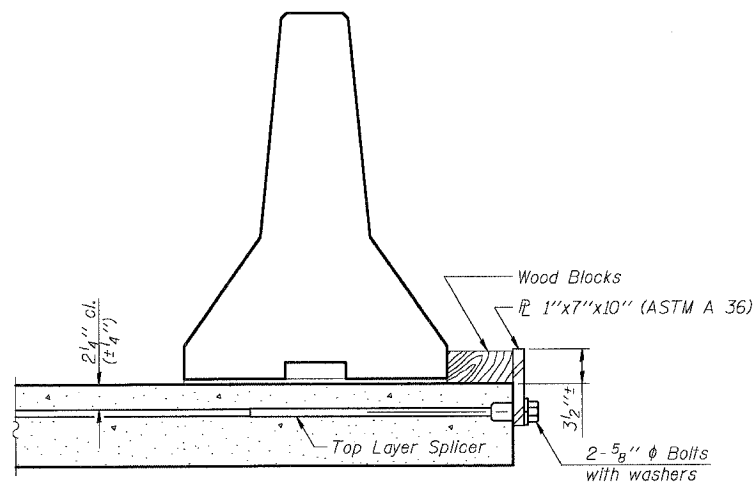
STATE OF ILLINOIS  
DEPARTMENT OF TRANSPORTATION

ROUTE NO. FAP 301	SECTION 24BR-1	COUNTY JO DAVIESS	SHEET 50	SHEET 14	SHEET NO. 4 20 SHEETS
FED. ROAD DIST. NO. 7		ILLINOIS	FED. AID PROJECT-		

Contract # 64A48

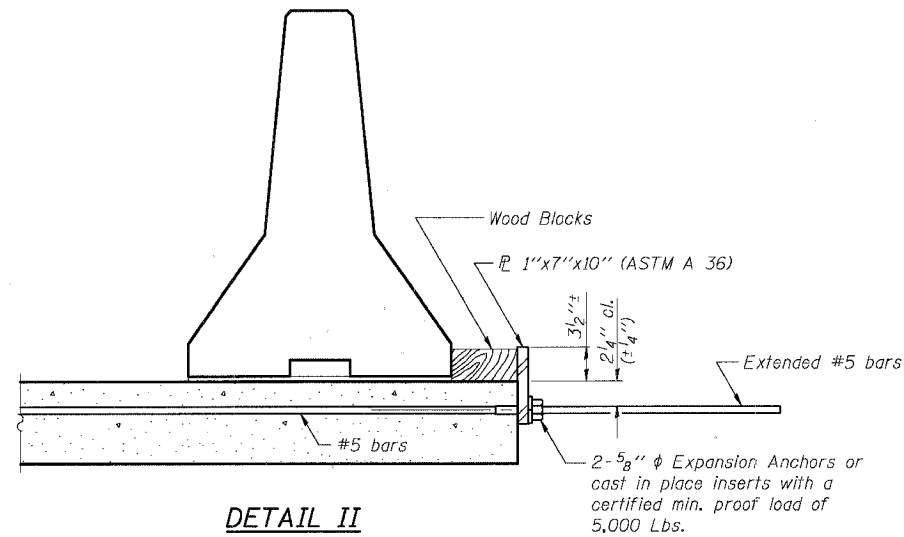


SECTIONS THRU SLAB



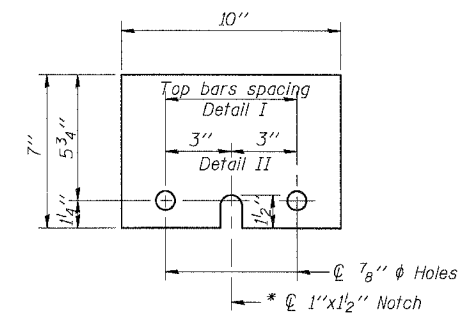
DETAIL I

The 1"x7"x10" Plate shall not be removed until Stage II Construction forms and reinforcement bars are in place.



DETAIL II

The 1"x7"x10" Plate shall not be removed until Stage II Construction forms and all reinforcement bars are in place and the concrete is ready to be placed.



1" x 7" x 10"

\* Required only with Detail II

DESIGNED	DF
CHECKED	CB
DRAWN	DF
CHECKED	CB

TEMPORARY CONCRETE BARRIER  
FOR STAGE CONSTRUCTION

U.S. 20 OVER RUSH CREEK  
F.A.P. ROUTE 301 - SEC. 24BR-1  
JO DAVIESS COUNTY  
STATION 2023+29.43  
S.N. 043-0036