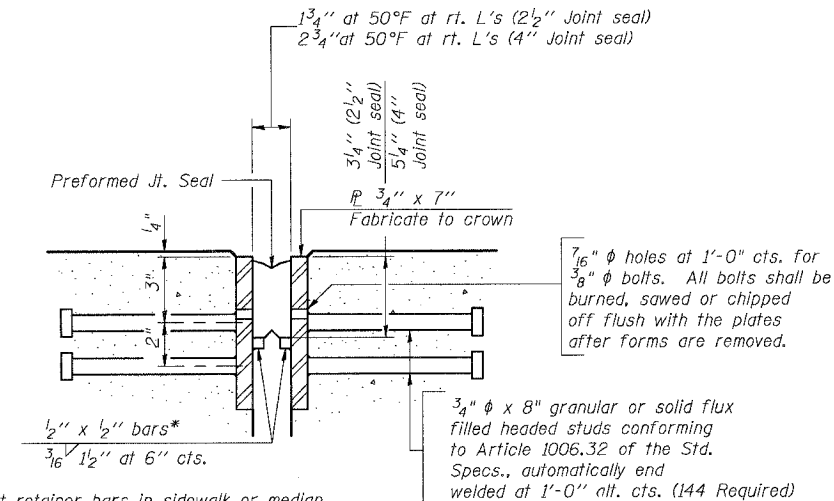


STATE OF ILLINOIS
DEPARTMENT OF TRANSPORTATION

ROUTE NO.	SECTION	COUNTY	TOTAL SHEETS	SHEET	SHEET NO.
FAP 301	24BR-1	JO DAVIESS	50	19	9
FED. ROAD DIST. NO. 7		ILLINOIS	FED. AID PROJECT		

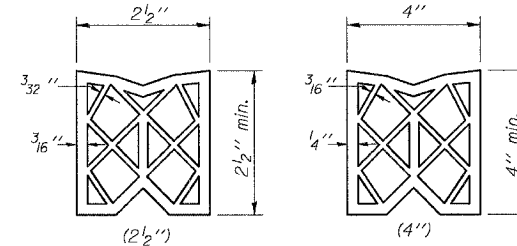
Contract # 64A48



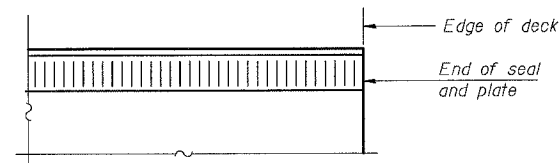
SECTION THRU EXPANSION JOINT
(2 1/2" and 4" joint seals)

*Cut retainer bars in sidewalk or median 6" short of the sidewalk or median face.

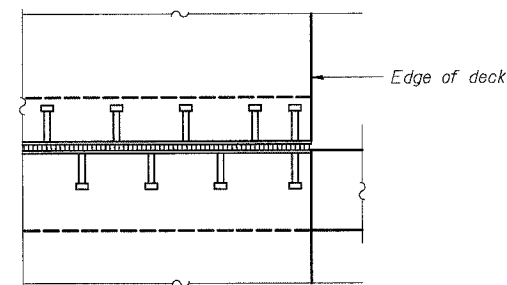
Design Movement	Required Preformed Joint Seal Size	Required Strip Seal Rated movement
1"	2 1/2"	1"
1 5/8"	4"	2"



PREFORMED JOINT SEAL



END TREATMENT ELEVATION
(Showing seal and plate)



PLAN

DESIGNED	MO
CHECKED	CB
DRAWN	RG
CHECKED	DF

GENERAL NOTES
Furnish steel plates in segments of 20 feet maximum length. Maximum space between installed segments shall be 3/16". Seal space with silicone sealant suitable for structural steel.

BILL OF MATERIAL

Item	Unit	Total
Bridge Joint System (Expansion)	foot	70.3

(Sheet 1 of 2)
BRIDGE JOINT SYSTEM - EXPANSION
(PREFORMED JOINT SEAL)

U.S. 20 OVER RUSH CREEK
F.A.P. ROUTE 301 - SEC. 24BR-1
JO DAVIESS COUNTY
STATION 2023+29.43
S.N. 043-0036