

STATE OF ILLINOIS
DEPARTMENT OF TRANSPORTATION

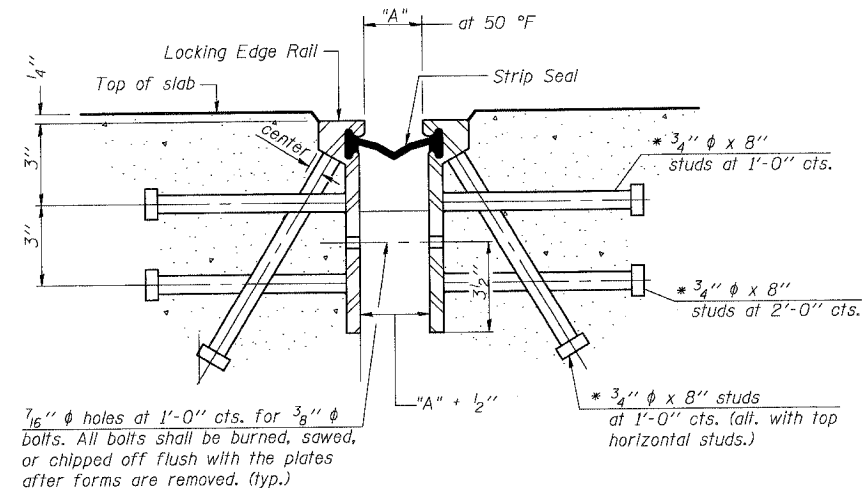
ROUTE NO.	SECTION	COUNTY	SHEET NO.	SHEET TOTAL
FAP 301	24BR-1	JO DAVIESS	50	20
FED. ROAD DIST. NO. 7	ILLINOIS	FED. AID PROJECT		

SHEET NO. 10
20 SHEETS

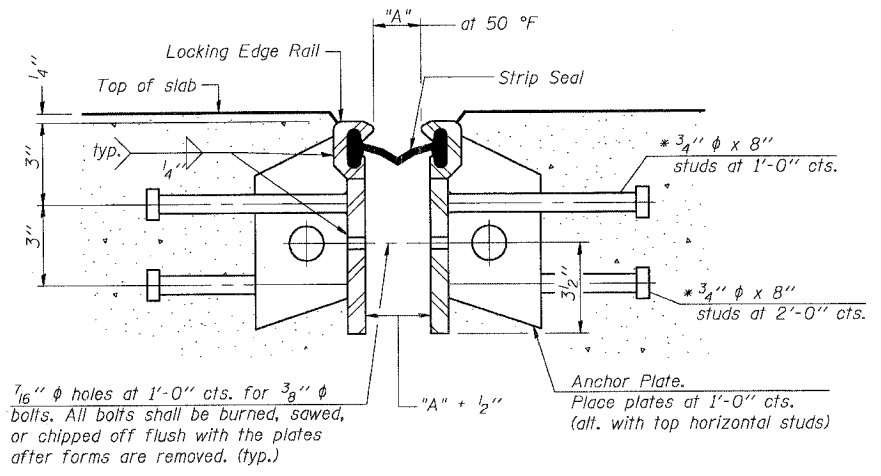
Contract # 64A48

GENERAL NOTES

The strip seal shall be made continuous and shall have a minimum thickness of 1/4". The configuration of the strip seal shall match the configuration of the Locking Edge Rails.
The height and thickness of the Locking Edge Rails shown are minimum dimensions. The actual configuration of the Locking Edge Rails and matching strip seal may vary from manufacturer to manufacturer. Flanged edge rails will not be allowed.
Locking Edge Rails may be spliced at slope discontinuities and stage construction joints.
The manufacturer's recommended installation methods shall be followed.
The joint opening and deck dimensions detailed on the superstructure are based on a preformed joint seal. If the contractor elects to use the alternate strip seal joint, the opening and deck dimensions shall be modified according to the dimensions detailed on this sheet. Required modifications shall be made at no additional cost to the State.



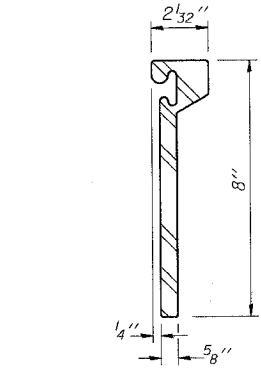
Required Strip Seal rated movement	"A"
1"	1 1/8"
2"	1 3/4"



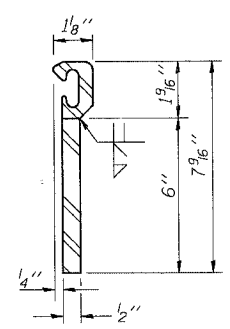
SECTION THRU ROLLED RAIL EXP. JOINT
(360 Studs Required)

SECTION THRU WELDED RAIL EXP. JOINT
(216 Studs Required)
(144 Anchor Plates Required)

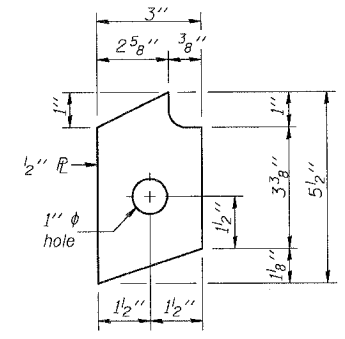
* Granular or solid flux filled headed studs conforming to Article 1006.32 of the Std. Specs., automatically end welded.



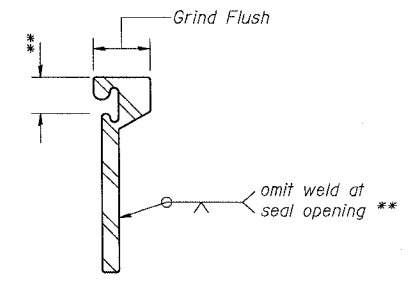
ROLLED (EXTRUDED) RAIL



WELDED RAIL

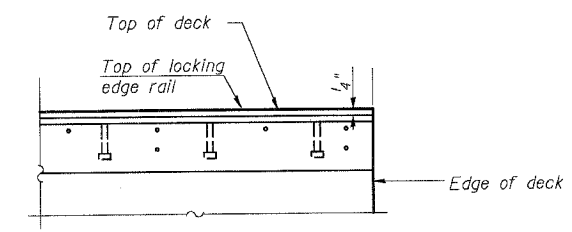


ANCHOR PL
(for welded rail)



LOCKING EDGE RAIL SPLICE

The inside of the locking edge rail groove shall be free of weld residue.



END TREATMENT ELEVATION

LOCKING EDGE RAILS

DESIGNED	MO
CHECKED	CB
DRAWN	RG
CHECKED	DF

(Sheet 2 of 2)
BRIDGE JOINT SYSTEM - EXPANSION
(ALTERNATE-STRIP SEAL)

U.S. 20 OVER RUSH CREEK
F.A.P. ROUTE 301 - SEC. 24BR-1
JO DAVIESS COUNTY
STATION 2023+29.43
S.N. 043-0036