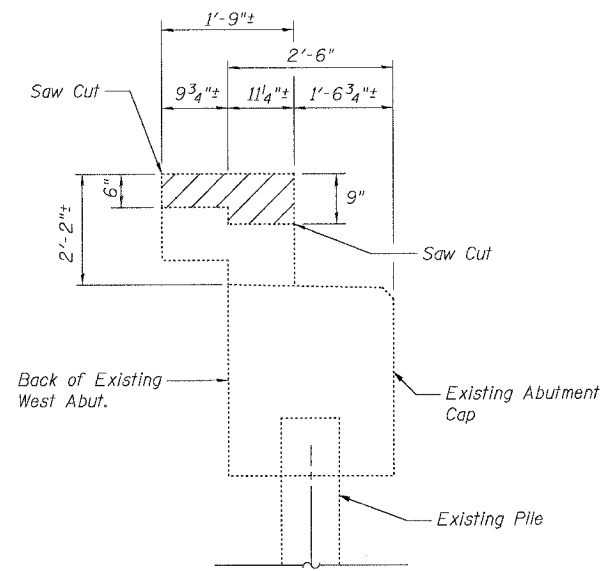


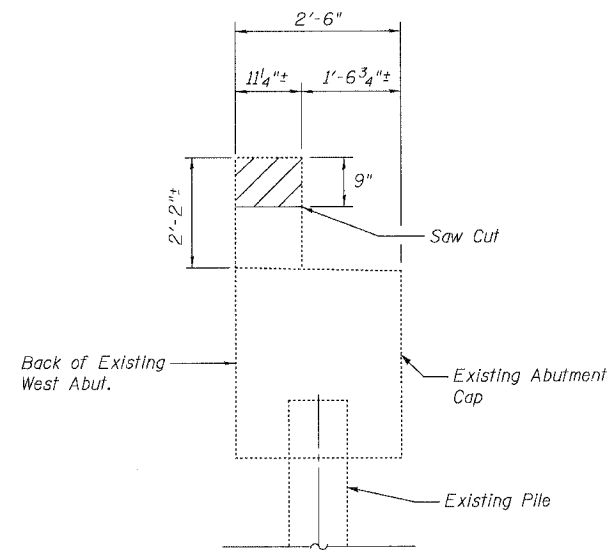
STATE OF ILLINOIS  
DEPARTMENT OF TRANSPORTATION

ROUTE NO.	SECTION	COUNTY	SHEET NO.	SHEET NO.
FAP 301	24BR-1	JO DAVIESS	50	21
FED. ROAD DIST. NO. 7		ILLINOIS	FED. AID PROJECT	

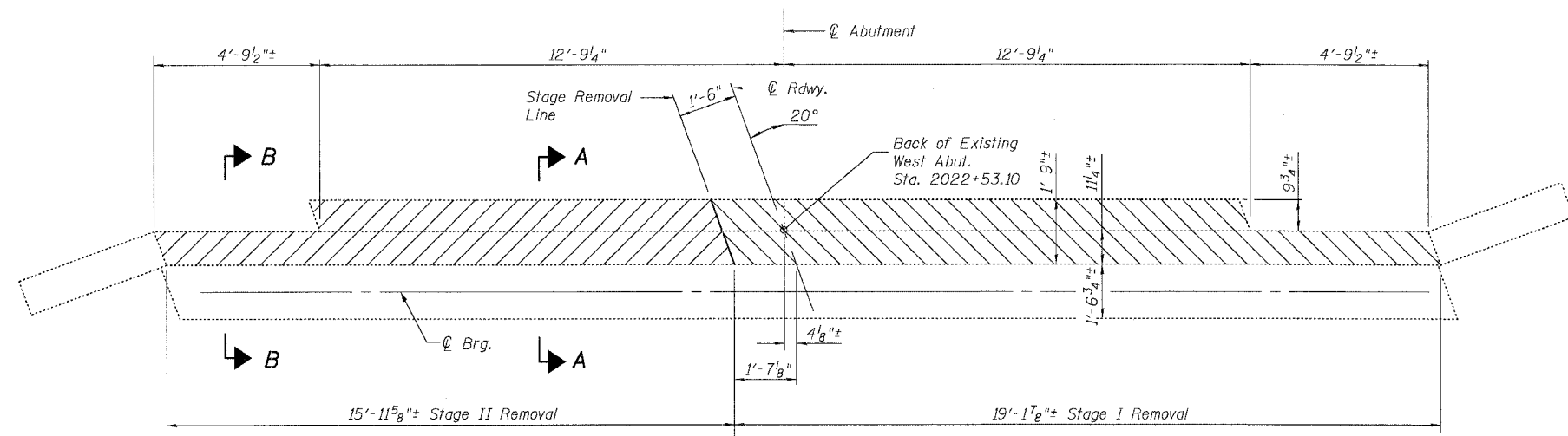
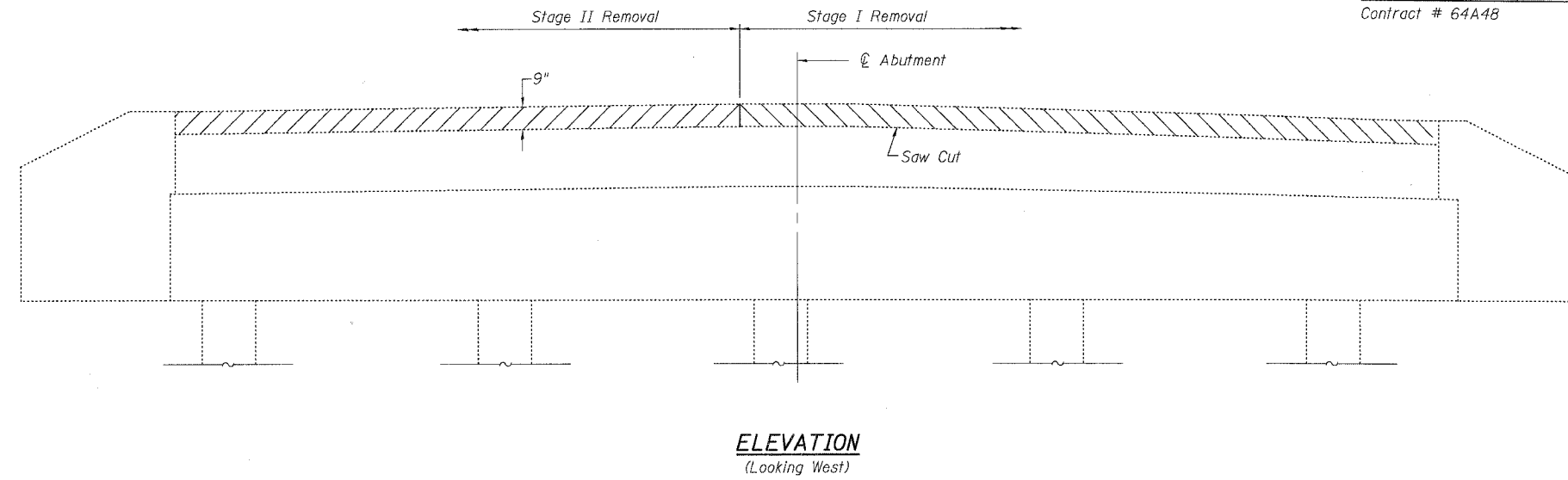
Contract # 64A48



SEC. A-A  
(Dimensions are at Rt. Angles to Abutment)



SEC. B-B  
(Dimensions are at Rt. Angles to Abutment)



PLAN

LEGEND

	Stage I Concrete Removal
	Stage II Concrete Removal

BILL OF MATERIAL

Item	Unit	Quantity
Concrete Removal	Cu. Yd	1.4
Asbestos Bearing Pad Removal	Each	22

CONCRETE REMOVAL  
WEST ABUTMENT

U.S. 20 OVER RUSH CREEK  
F.A.P. ROUTE 301 - SEC. 24BR-1  
JO DAVIESS COUNTY  
STATION 2023+29.43  
S.N. 043-0036

Note:

- Existing reinforcement extending into new concrete shall be cleaned, straightened, and incorporated into new construction. Cost shall be included with Concrete Removal.
- Saw cutting to be included in the cost of Concrete Removal.
- Dimensions are based on existing plan dimension, see General Notes on Sheet S2 of 20.

DESIGNED	DF
CHECKED	CB
DRAWN	RG
CHECKED	DF