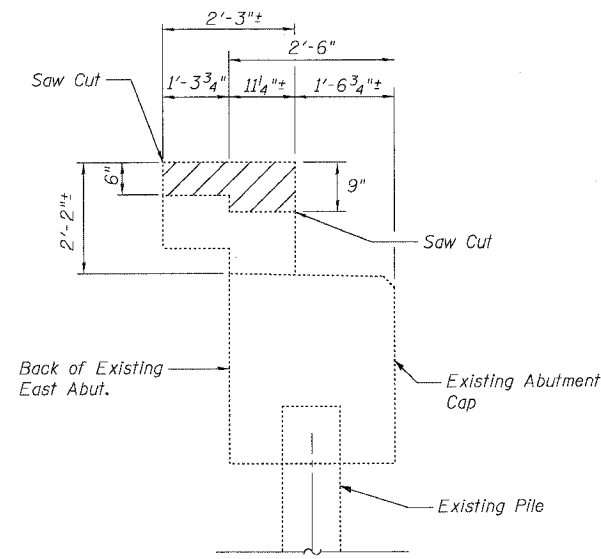


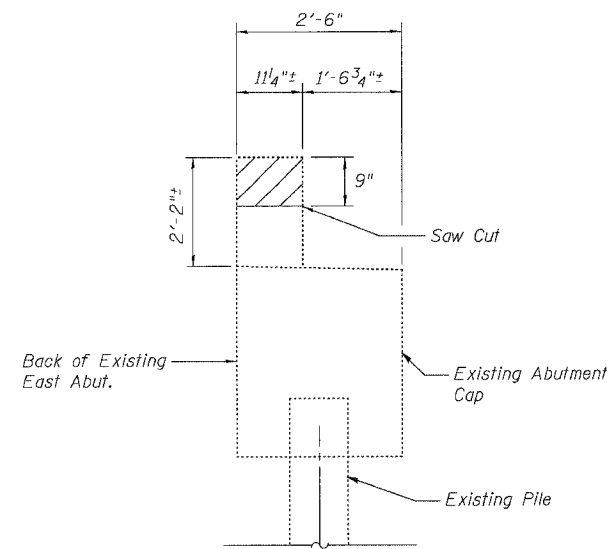
STATE OF ILLINOIS  
DEPARTMENT OF TRANSPORTATION

ROUTE NO.	SECTION	COUNTY	TOTAL SHEETS	SHEET NO.	SHEET NO. 12 20 SHEETS
FAP 301	24BR-1	JO DAVIESS	50	22	
FED. ROAD DIST. NO. 7	ILLINOIS	FED. AID PROJECT			

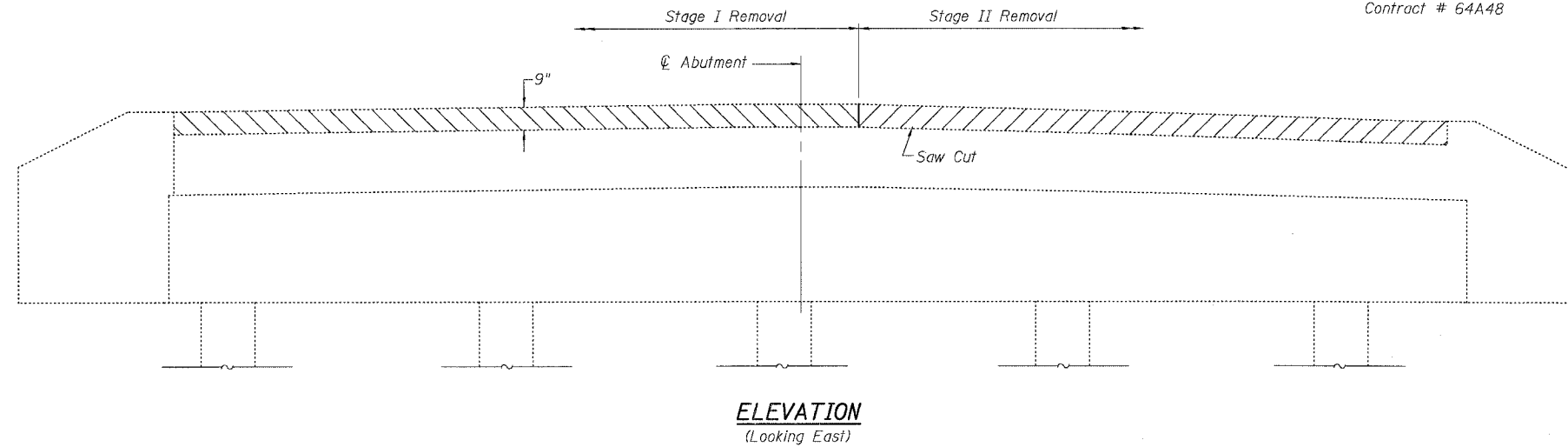
Contract # 64A48



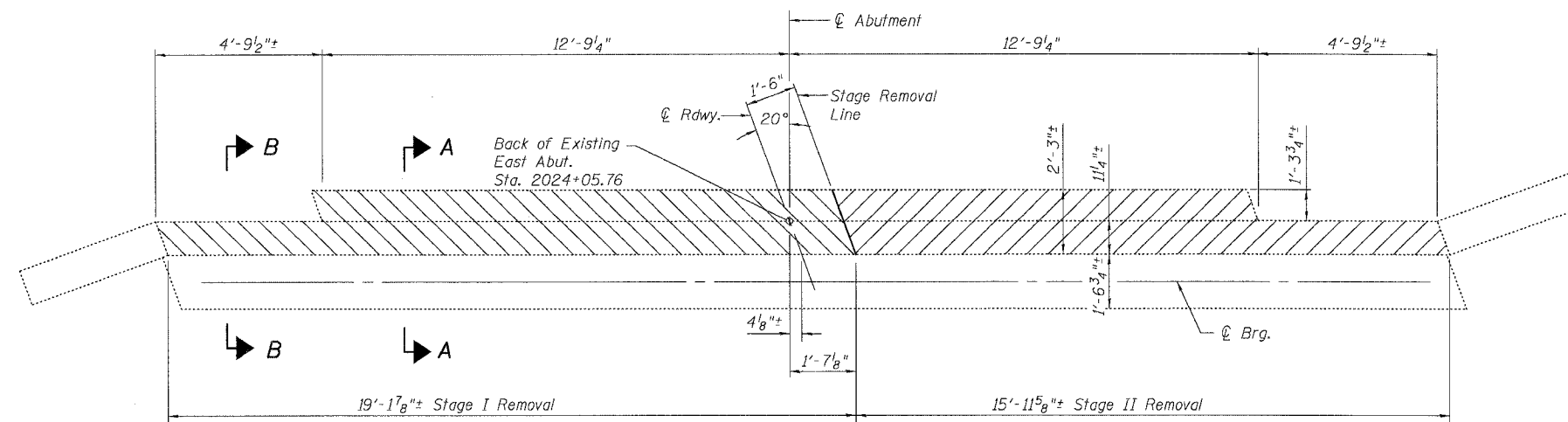
**SEC. A-A**  
(Dimensions are at Rt. Angles to Abutment)



**SEC. B-B**  
(Dimensions are at Rt. Angles to Abutment)



**ELEVATION**  
(Looking East)



**PLAN**

**LEGEND**

	Stage I Concrete Removal
	Stage II Concrete Removal

**BILL OF MATERIAL**

Item	Unit	Quantity
Concrete Removal	Cu. Yd	1.4
Asbestos Bearing Pad Removal	Each	22

**CONCRETE REMOVAL  
EAST ABUTMENT**

U.S. 20 OVER RUSH CREEK  
F.A.P. ROUTE 301 - SEC. 24BR-1  
JO DAVIESS COUNTY  
STATION 2023+29.43  
S.N. 043-0036

DESIGNED	DF
CHECKED	CB
DRAWN	RG
CHECKED	DF

**Note:**

- Existing reinforcement extending into new concrete shall be cleaned, straightened, and incorporated into new construction. Cost shall be included with Concrete Removal.
- Saw cutting to be included in the cost of Concrete Removal.
- Dimensions are based on existing plan dimension, see General Notes on Sheet S2 of 20.