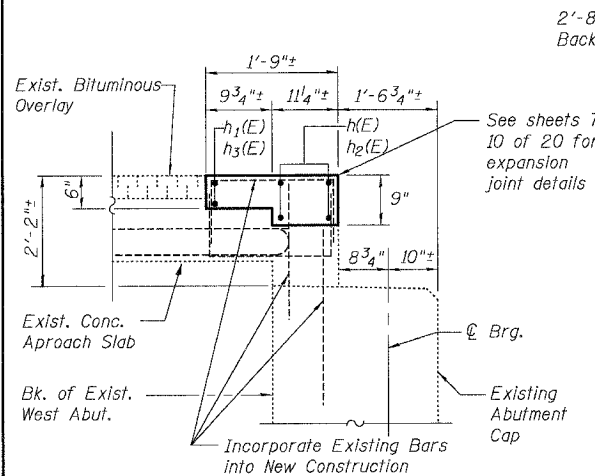


STATE OF ILLINOIS
DEPARTMENT OF TRANSPORTATION

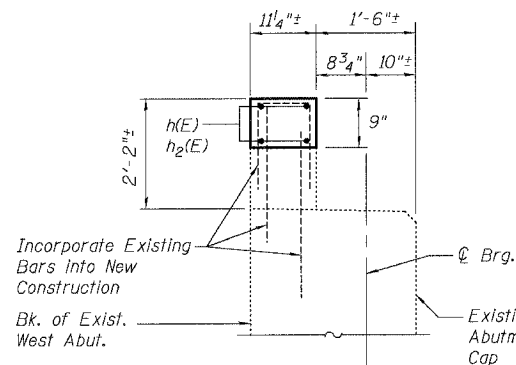
ROUTE NO.	SECTION	COUNTY	LEAF NO.	SHEET NO.
FAP 301	24BR-1	JO DAVIESS	50	23
FED. ROAD DIST. NO. 7	ILLINOIS	FED. AID PROJECT		

SHEET NO. 13
20 SHEETS



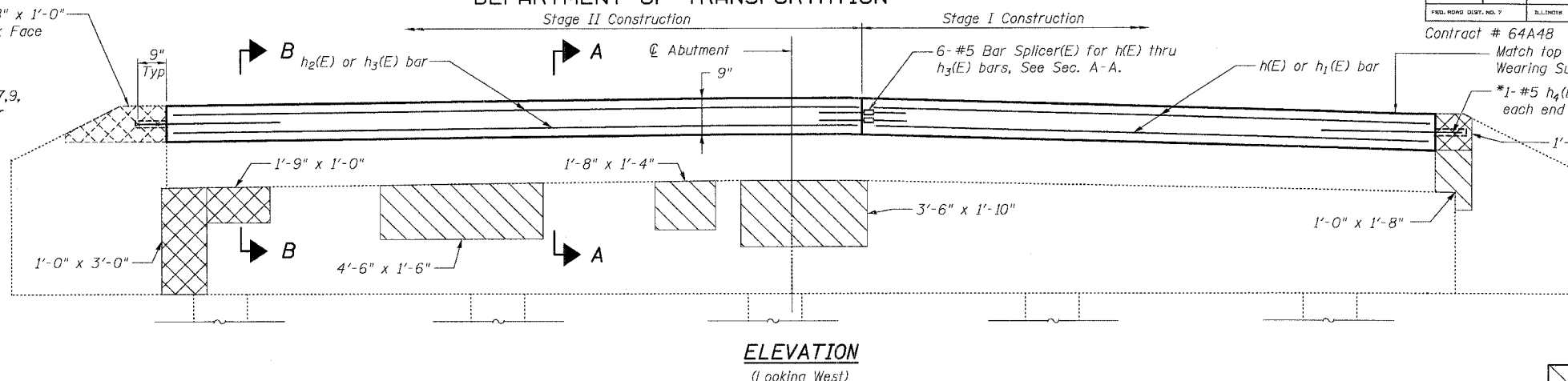
SEC. A-A

(Dimensions at Rt. Angles to Abutment)



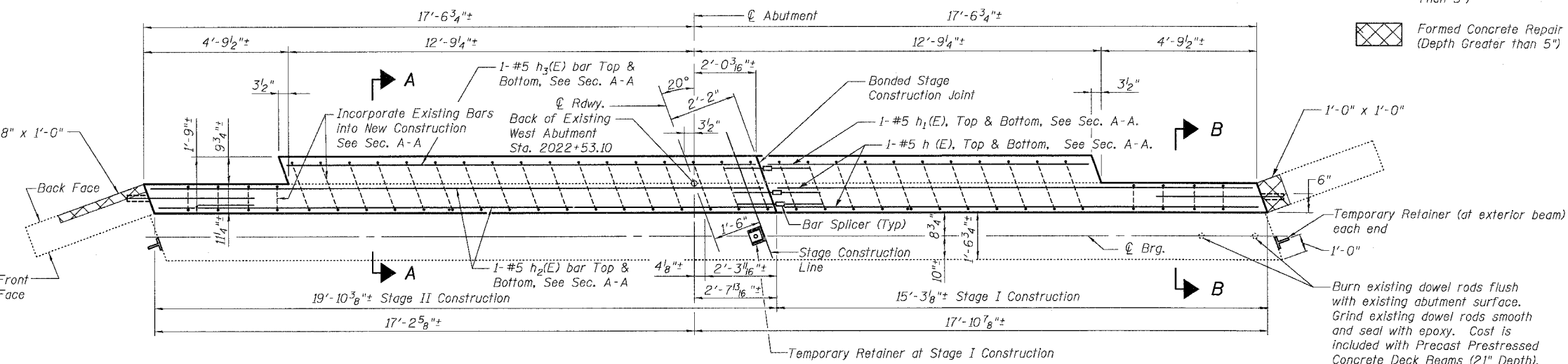
SEC. B-B

(Dimensions at Rt. Angles to Abutment)



ELEVATION

(Looking West)



PLAN

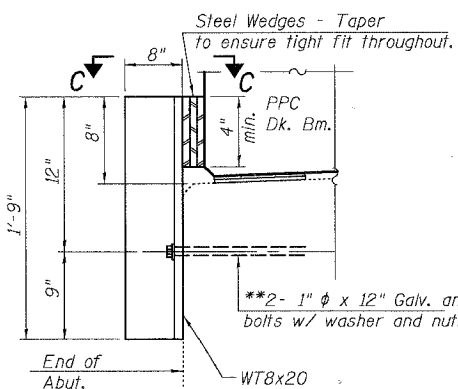
LEGEND

- Formed Concrete Repair (Depth Equal to or Less Than 5")
- Formed Concrete Repair (Depth Greater than 5")

Notes:

- Concrete Structures shown are to be poured after Concrete Wearing Surface (including blockout) is in place and cured.
- The concrete wearing surface (including blockout) shall be poured and cured prior to removing the Stage I Construction Temporary Retainers. Burn or cut the anchor bolt flush with existing abutment surface. Grind anchor bolts smooth and seal with epoxy. Cost included with Prestressed Concrete Deck Beams (21" Depth).
- The concrete wearing surface (including blockout) shall be poured and cured prior to removing the temporary retainers. Anchor bolts may be left in place or removed as specified in the removal of Stage I Construction Temporary Retainers above.
- Existing reinforcement extending into new concrete shall be cleaned, straightened and incorporated into new construction.
- Any existing reinforcement damaged during partial removal of the backwall shall be replaced with equivalent size grouted bars at no additional cost to the state.
- *Epoxy grout h₄(E) bars in 9" min. drilled holes according to Section 584 of the Standard Specifications.
- **Cost of temporary retainers and accessories are included with Precast Prestressed Concrete Deck Beams (21" Depth).
- **Anchor bolts or approved threaded rods to be drilled and grouted in place. See Anchor Bolt Detail sheet 18 of 20.

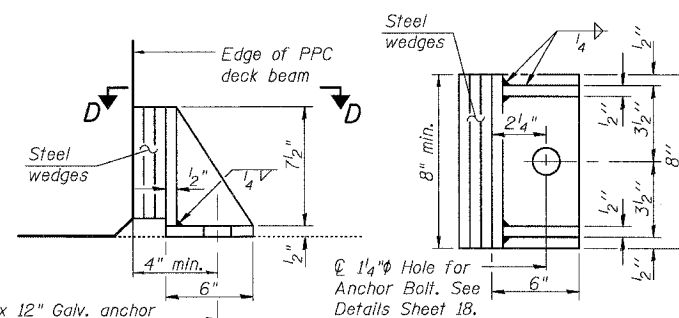
DESIGNED	DF
CHECKED	CB
DRAWN	RG
CHECKED	DF



ELEVATION

TEMPORARY RETAINER DETAIL

(At Exterior Beams)



ELEVATION

TEMPORARY RETAINER AT STAGE I CONSTRUCTION

Equivalent rolled angle with stiffeners will be allowed in lieu of welded plates

BILL OF MATERIAL

Bar	No.	Size	Length	Shape
h(E)	4	#5	15'-0"	—
h ₁ (E)	2	#5	10'-2"	—
h ₂ (E)	4	#5	19'-6"	—
h ₃ (E)	2	#5	14'-8"	—
h ₄ (E)	2	#5	3'-3"	—
Reinforcement Bars, Epoxy Coated		Pound		210
Concrete Structures		Cu. Yd.		1.4
Formed Concrete Repair (Depth <5")		Sq. Ft.		17.2
Formed Concrete Repair (Depth >5")		Sq. Ft.		12.4
Bar Splicers		Each		6

Reinforcement bars designated (E) shall be epoxy coated.

WEST ABUTMENT REPAIRS

U.S. 20 OVER RUSH CREEK
F.A.P. ROUTE 301 - SEC. 24BR-1
JO DAVIESS COUNTY
STATION 2023+29.43
S.N. 043-0036