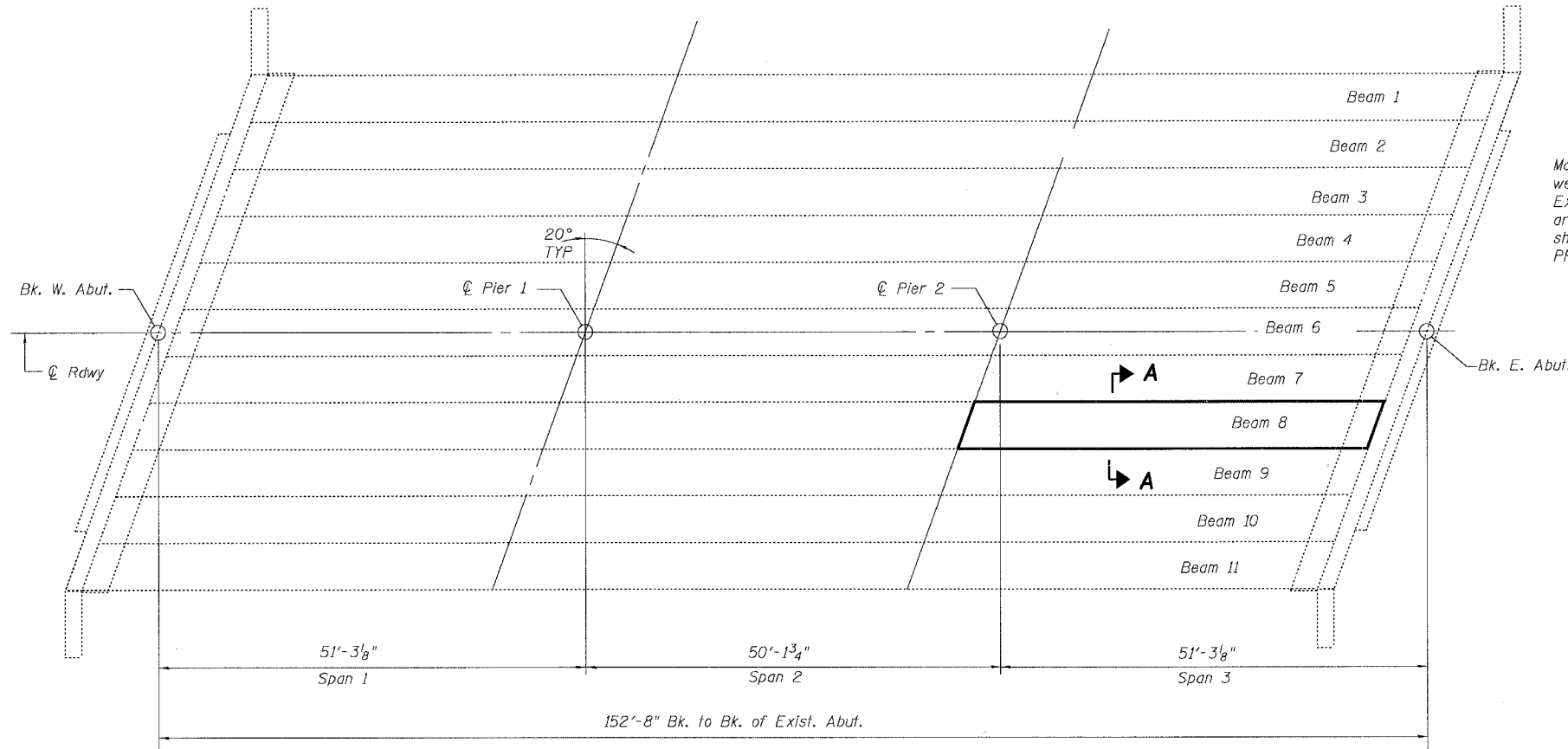


STATE OF ILLINOIS
DEPARTMENT OF TRANSPORTATION

ROUTE NO.	SECTION	COUNTY	SIGNS SHEETS	SHEET NO.	SHEET NO.
FAP 301	24BR-1	JO DAVIESS	50	29	20 SHEETS
FED. ROAD DIST. NO. 7	ILLINOIS	FED. AID PROJECT			

Contract # 64A48



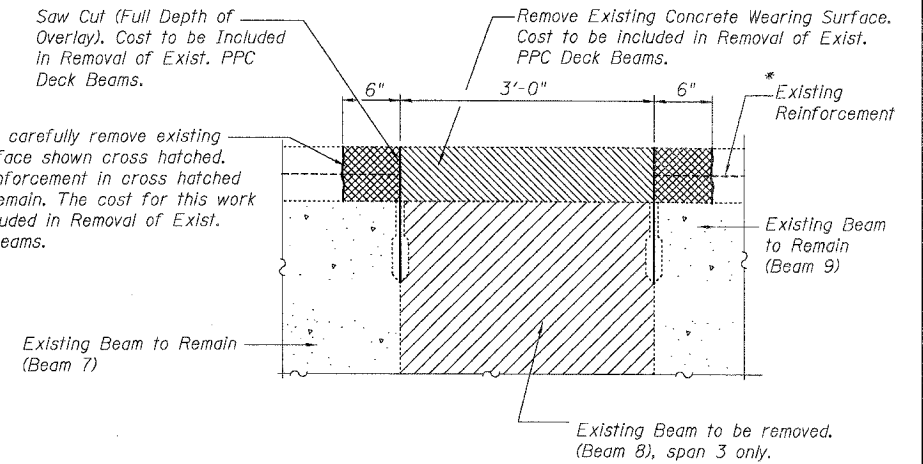
KEY

Existing P.P.C. Deck Beam to be replaced with PPC deck Beam (21" Depth) Special

PLAN



*Existing reinforcement extending into new construction shall be straightened, cleaned and incorporated into new construction, the cost to be included with Removal of Existing PPC Deck Beams. If the Contractor damages this existing reinforcement then the Contractor shall replace this reinforcement at no additional cost to the state.

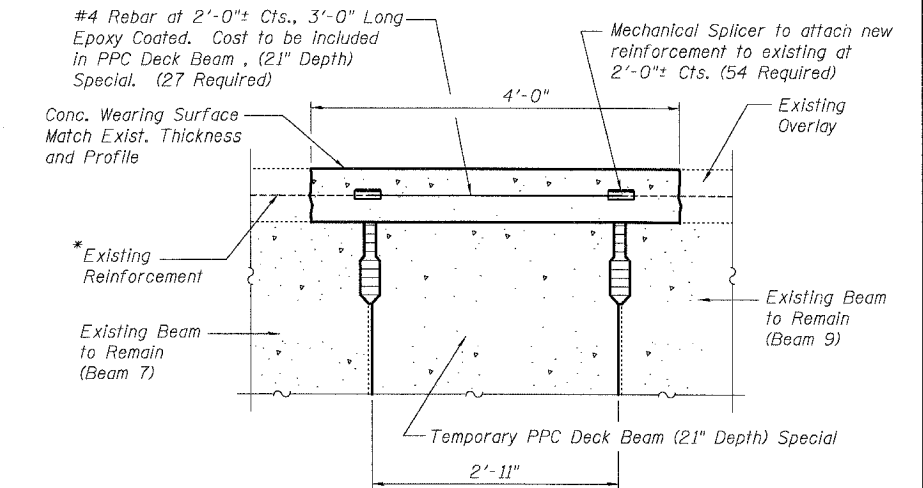


Manually and carefully remove existing wearing surface shown cross hatched. Existing reinforcement in cross hatched area shall remain. The cost for this work shall be included in Removal of Exist. PPC Deck Beams.

Existing Beam to Remain (Beam 7)

Existing Beam to be removed (Beam 8), span 3 only.

(SHOWING REMOVAL)



(SHOWING CONSTRUCTION)

SECTION A-A BEAM AND OVERLAY
REMOVAL AND REPLACEMENT DETAIL

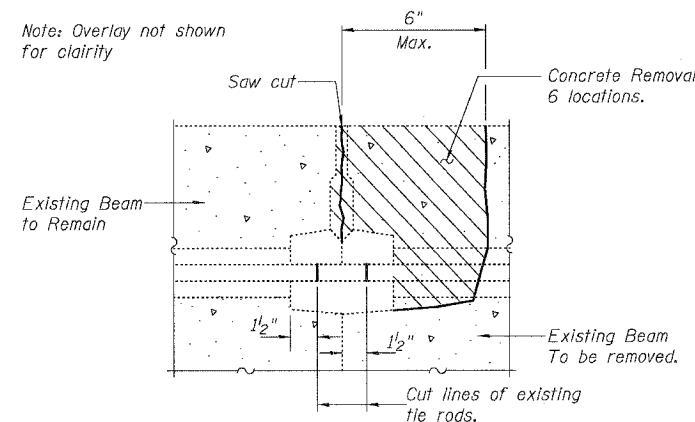
BILL OF MATERIAL

Item	Unit	Quantity
Remove Existing PPC Deck Beam	Sq. Ft.	150.2
PPC Deck Beam (21" Depth) Special	Sq. Ft.	146.2
Concrete Wearing Surface, 5"	Sq. Yd.	22.7
Mechanical Splice	Each	54

PRE-STAGE I BEAM REPLACEMENT

U.S. 20 OVER RUSH CREEK
F.A.P. ROUTE 301 - SEC. 24BR-1
JO DAVIESS COUNTY
STATION 2023+29.43
S.N. 043-0036

Note: Overlay not shown for clarity



BEAM REMOVAL DETAIL
AT TRANSVERSE TIES

Note: See Sheet 20 of 20 for additional details.

DESIGNED	DF
CHECKED	CB
DRAWN	RG
CHECKED	PM