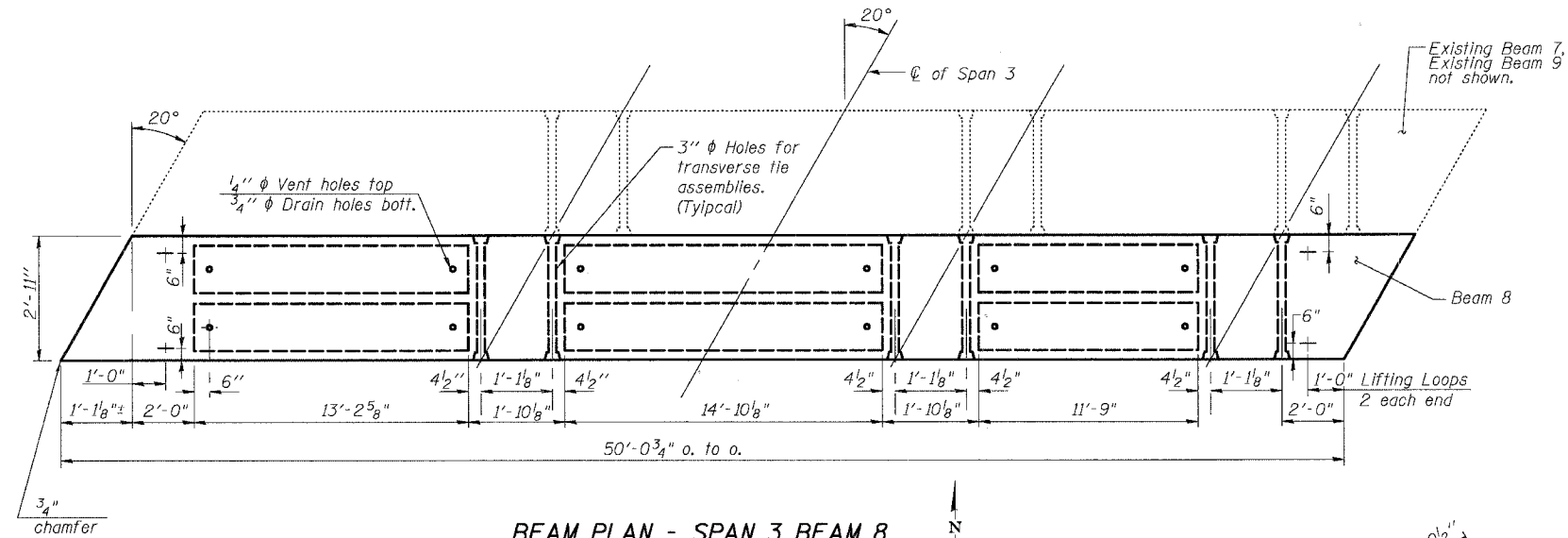
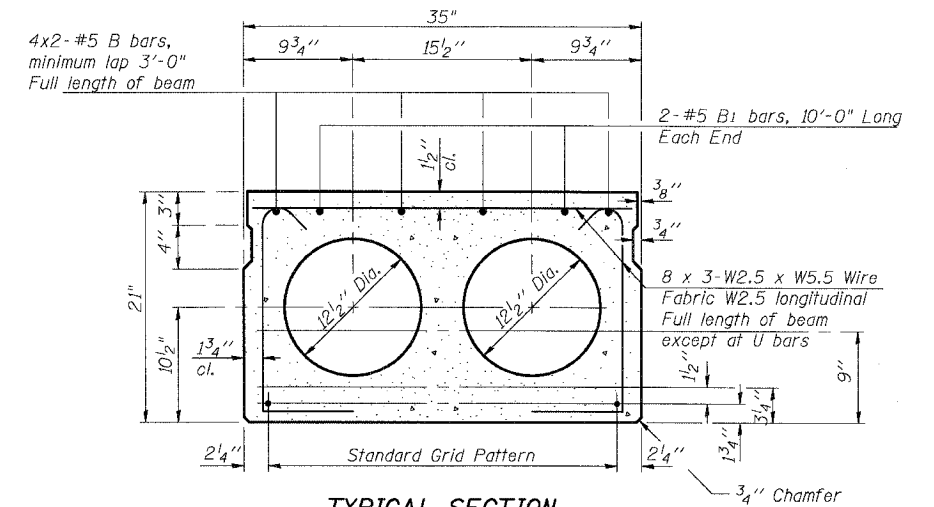


STATE OF ILLINOIS
DEPARTMENT OF TRANSPORTATION

ROUTE NO.	SECTION	COUNTY	SHEET NO.	SHEET	SHEET NO. 20
FAP 301	24BR-1	JO DAVIESS	50	30	20 SHEETS
FED. ROAD DIST. NO. 7	ILLINOIS	FED. AID PROJECT	Contract # 64A48		



BEAM PLAN - SPAN 3 BEAM 8

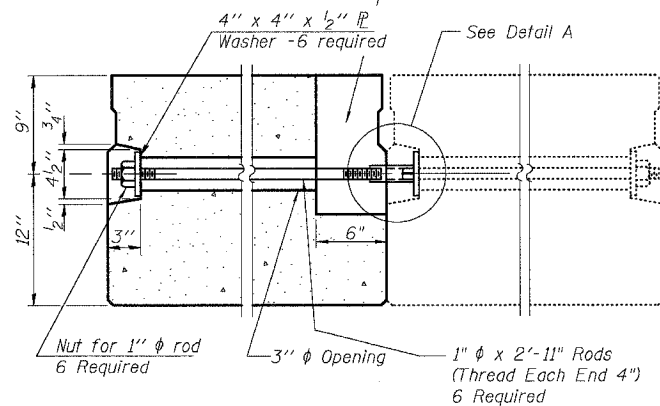


TYPICAL SECTION

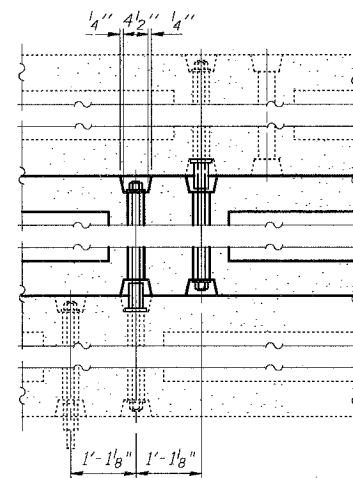
1/2" Strands, Each Strand Stressed to 30,900 Lbs.
7-Strands 1 3/4" up, 6-Strands 3/4" up, 2-Strands 9" up

Note:
Place strands symmetrically about centerline of beam.

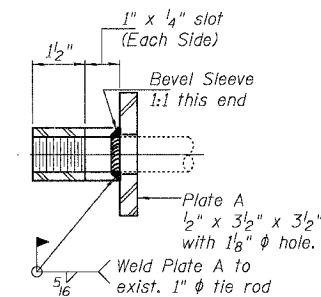
6" x 6" x 11 1/2" Blockout to be filled with Class BD Concrete after Beams have been installed. Cost shall be included in the cost of "Concrete Wearing Surface".



TYPICAL TRANSVERSE TIE ASSEMBLY



FABRIC SHIM PAD
(If Required)



SECTION B-B

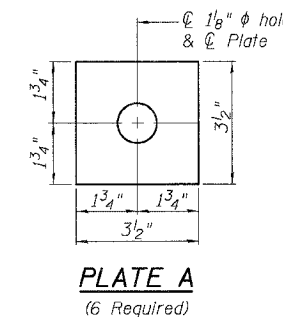
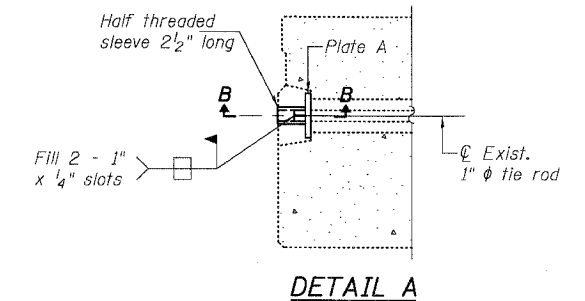
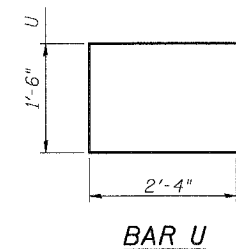


PLATE A
(6 Required)

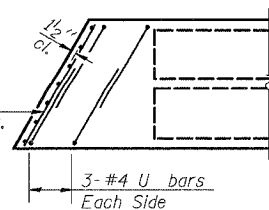


DETAIL A

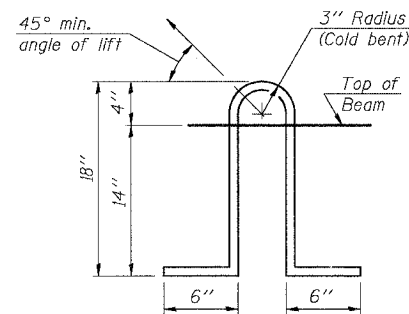


BAR U

8 x 3-W2.5 x W5.5 Wire Fabric, W5.5 vert. Full depth of beam. Each End.



END OF BEAM PLAN



LIFTING LOOP DETAIL

NOTES

- Prestressing steel shall be uncoated high strength, low relaxation 7-wire strand, Grade 270. The nominal diameter shall be 1/2" and the nominal cross-sectional area shall be 0.153 sq. in. Lifting loops shall be (2) - 1/2" - 270 ksi strands, as shown.
- The 1" rods in the transverse tie assembly shall be tightened to a snug fit and the threads set.
- Non prestressing steel shall conform to AASHTO M-31 or M-322 Grade 60.
- The bearing seat surfaces shall be adjusted by shimming to assure firm and even bearing. Two 1/8" fabric adjusting shims of the dimensions of the Exterior Bearing Pad shall be provided for each bearing. Existing bearing pads shall remain in place for this pre-stage 1 work. Existing bearing pads at Abutments contain asbestos and shall not be disturbed.
- Keyway surfaces shall be cleaned to remove form oil or other bond breaking material prior to shipment of the beams. Cleaning shall be done by sandblasting the keyway areas between top of the beam and the bottom edge of the key.
- Corrosion Inhibitor, as covered in the Special Provisions, shall be used in the concrete for precast prestressed concrete deck beams.
- Required Release Strength, f'ci, shall be 4000 p.s.i.
- See Sheet 19 of 20 for additional details.

PPC DECK BEAM 21" DEPTH SPECIAL

U.S. 20 OVER RUSH CREEK
F.A.P. ROUTE 301 - SEC. 24BR-1
JO DAVIESS COUNTY
STATION 2023+29.43
S.N. 043-0036

DESIGNED	DF
CHECKED	CB
DRAWN	RG
CHECKED	PM