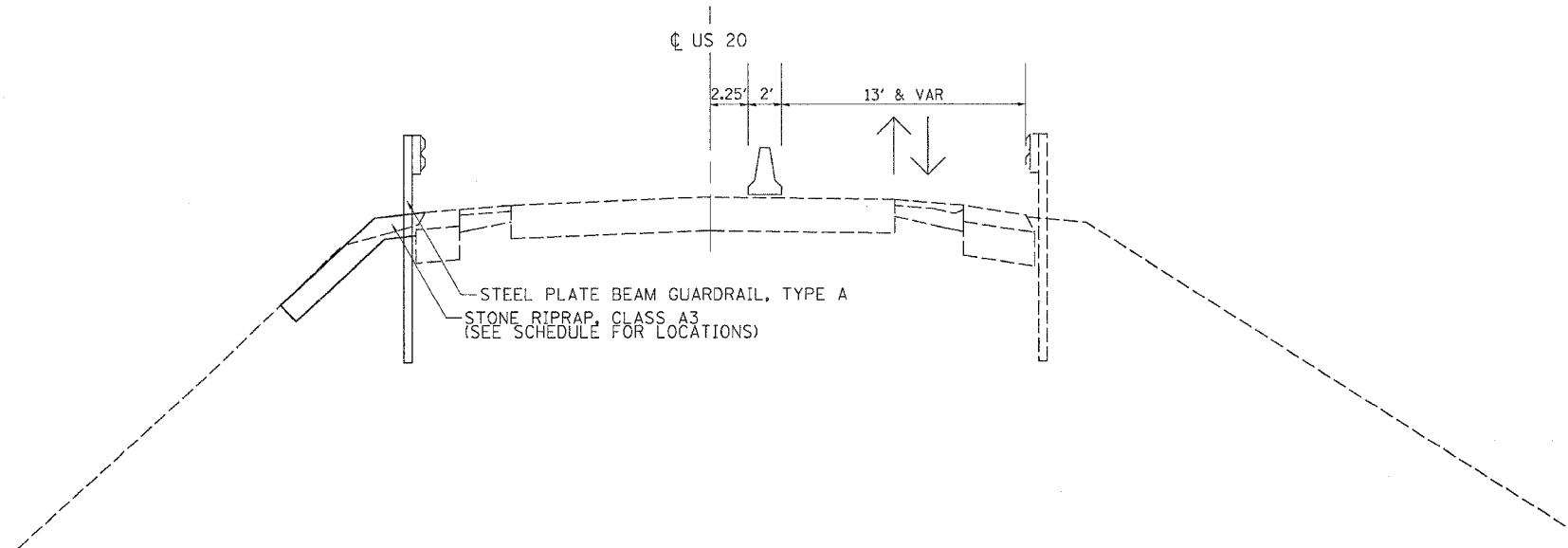


| F.A.P. RTE.         | SECTION | COUNTY                    | TOTAL SHEETS | SHEET NO. |
|---------------------|---------|---------------------------|--------------|-----------|
| 301                 | 24BR-1  | JO DAVIESS                | 50           | 34        |
| STA.                |         | TO STA.                   |              |           |
| FED. ROAD DIST. NO. |         | ILLINOIS FED. AID PROJECT |              |           |

# STAGING SHEETS

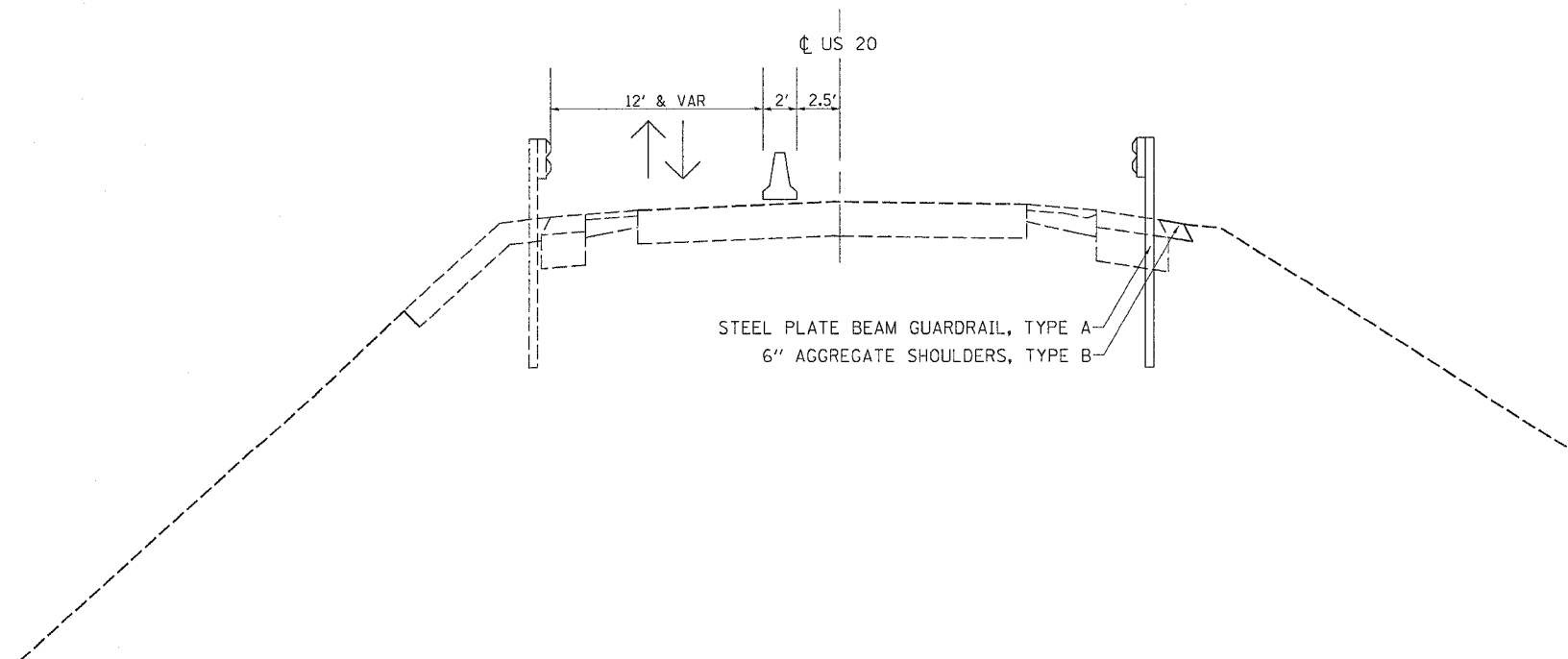
## STAGE 1

STAGE 1 WORK SHALL INCLUDE THE REPLACEMENT OF THE DECK BEAMS ON THE NORTH SIDE OF THE STRUCTURE, GUARDRAIL ON THE NORTH SIDE, AGGREGATE SHOULDER BEHIND THE GUARDRAIL, AND STONE RIPRAP PLACEMENT WHERE NEEDED. TRAFFIC WILL BE PUSHED ONTO THE EAST BOUND LANE. TRAFFIC CONTROL AND PROTECTION SHALL BE SET UP AND PAID FOR ACCORDING TO 701321.



## STAGE 2

STAGE 2 WORK SHALL INCLUDE THE REPLACEMENT OF THE DECK BEAMS ON THE SOUTH SIDE OF THE STRUCTURE, GUARDRAIL ON THE SOUTH SIDE, AGGREGATE SHOULDER BEHIND THE GUARDRAIL, AND STONE RIPRAP PLACEMENT WHERE NEEDED. TRAFFIC WILL BE PUSHED ONTO THE WEST BOUND LANE. TRAFFIC CONTROL AND PROTECTION SHALL BE SET UP AND PAID FOR ACCORDING TO 701321.



PLOT DATE = Mon Dec 12 09:54:52 2005  
 FILE NAME = c:\pwork\2005\24BR-1\24BR-1.dgn  
 PLOT SCALE = 20.000000 / 1 IN.  
 USER NAME = mgj11

| REVISIONS |      |
|-----------|------|
| NAME      | DATE |
|           |      |
|           |      |
|           |      |
|           |      |
|           |      |
|           |      |
|           |      |
|           |      |
|           |      |
|           |      |

ILLINOIS DEPARTMENT OF TRANSPORTATION

SCALE: VERT. DATE  
 HORIZ. DRAWN BY  
 CHECKED BY