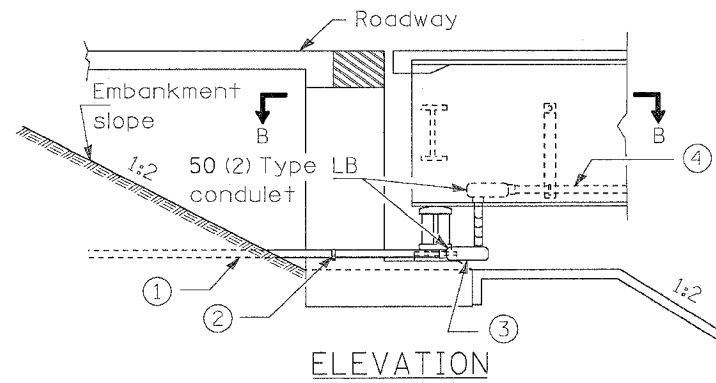
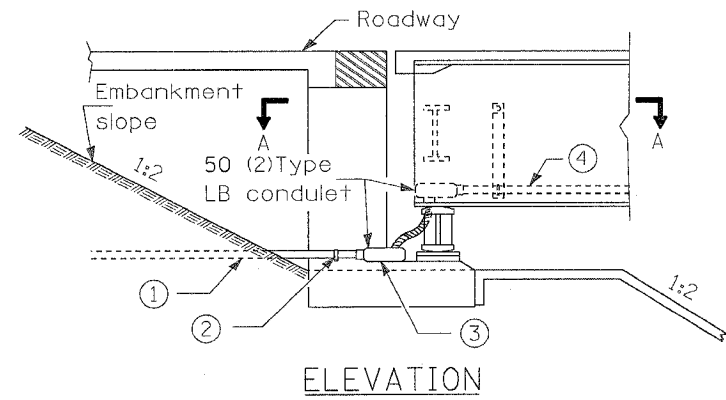
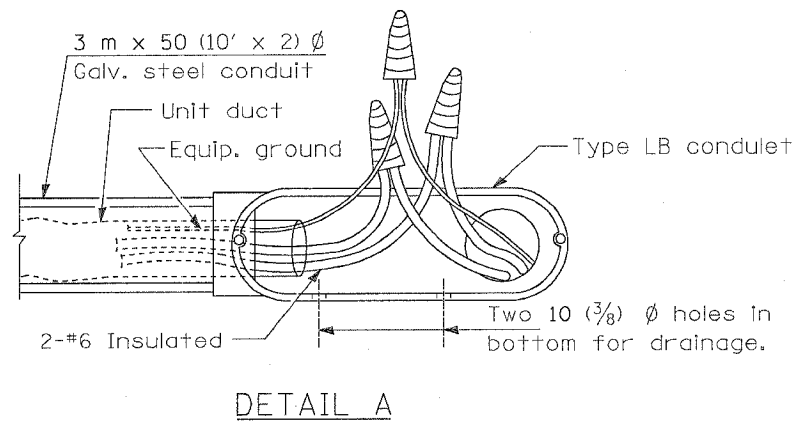
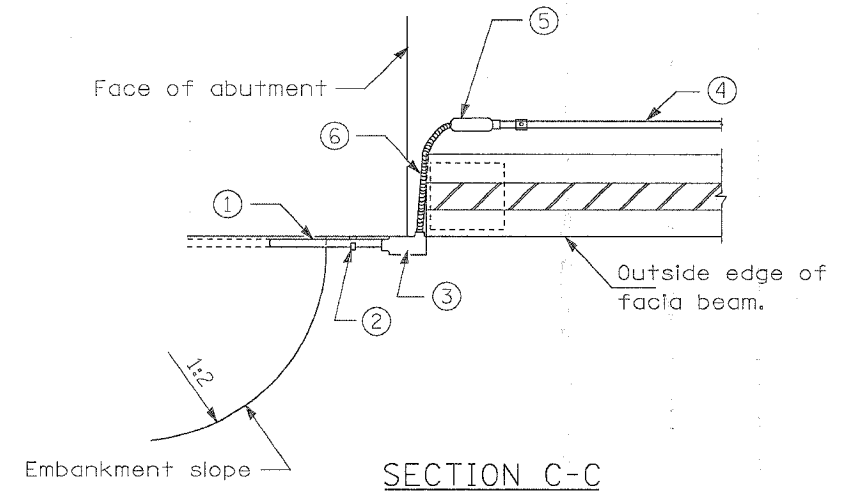
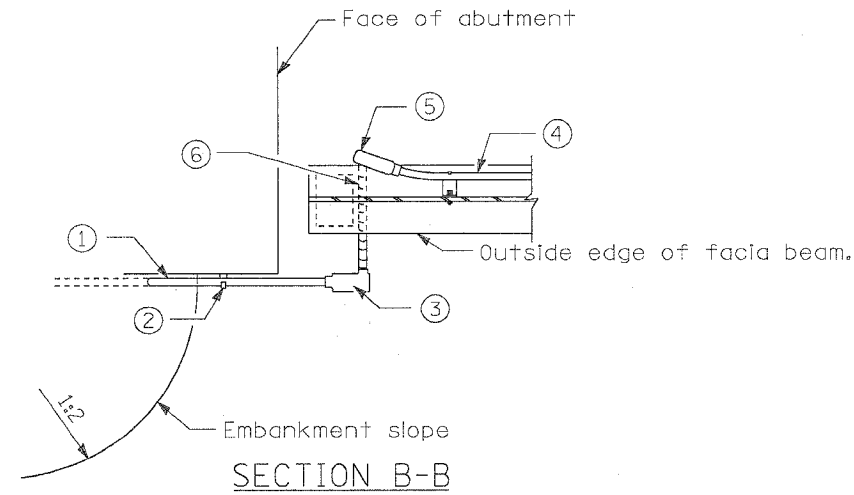
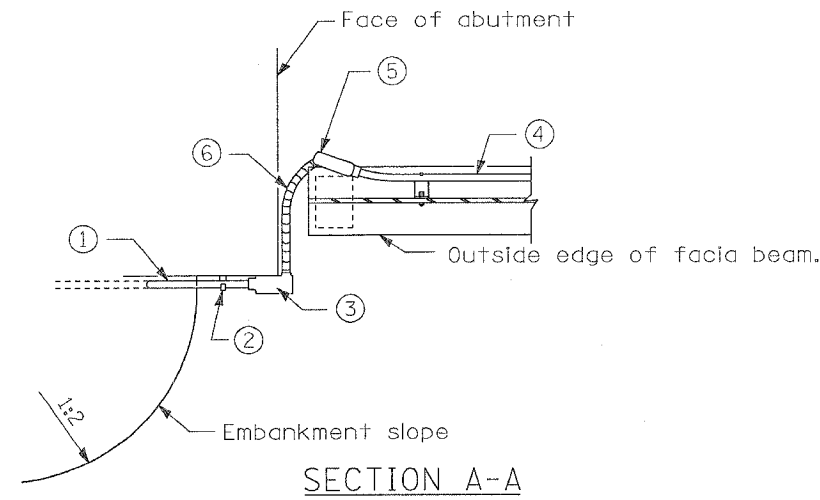
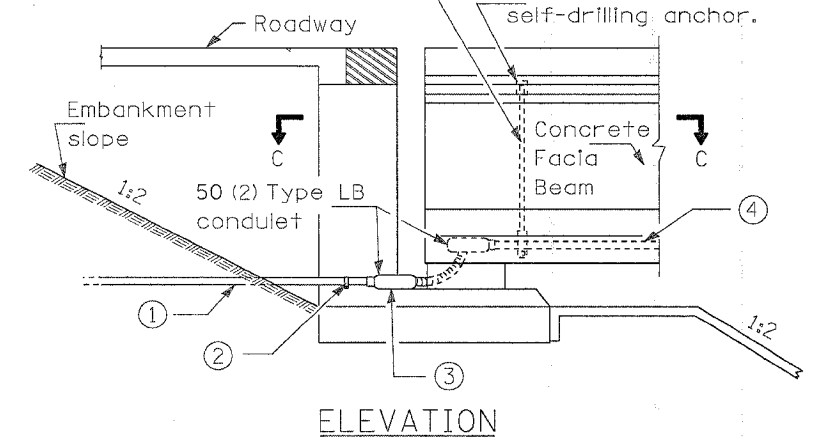


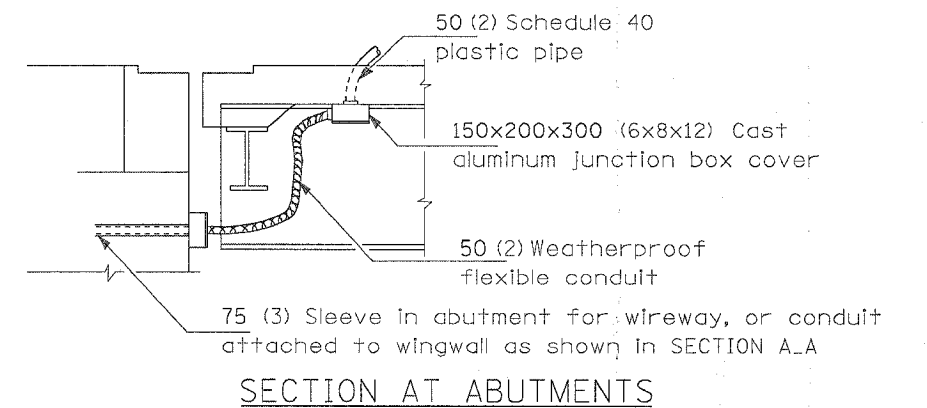
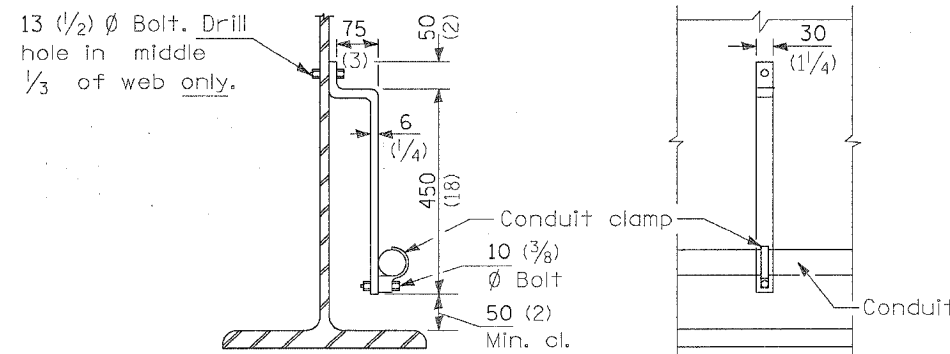
F.A. I. RTE.	SECTION	COUNTY	TOTAL SHEETS	SHEET NO.
80	I37-3-1HL-1	HENRY	10	6
STA.	TO STA.			
FED. ROAD DIST. NO.	ILLINOIS FED. AID PROJECT			



25 (1/2) Galvanized or stainless steel hanger rod on 1.5 m (5') maximum centers. Support conduit 100 to 200 (4 to 8) above lower edge of fascia beam.



- NOTES**
- ① 3 m x 50 (10' x 2) ϕ Galv. steel conduit
 - ② Cast malleable iron or stainless steel conduit clamp
 - ③ Drill two 10 (3/8) ϕ holes in bottom side of LB conduit for drainage. Extend unit duct into LB conduit 50 to 75 (2) to (3). (See DETAIL A).
 - ④ 50 (2) Galv. steel conduit
 - ⑤ Do not extend LB conduit beyond end of fascia beam.
 - ⑥ Liquid tight flexible conduit



All dimensions are in millimeters unless otherwise shown.

DATE	REVISIONS

BRIDGE CROSSING DETAILS

I-80 EASTBOUND S.N. 0370169
I-80 WESTBOUND S.N. 0370170