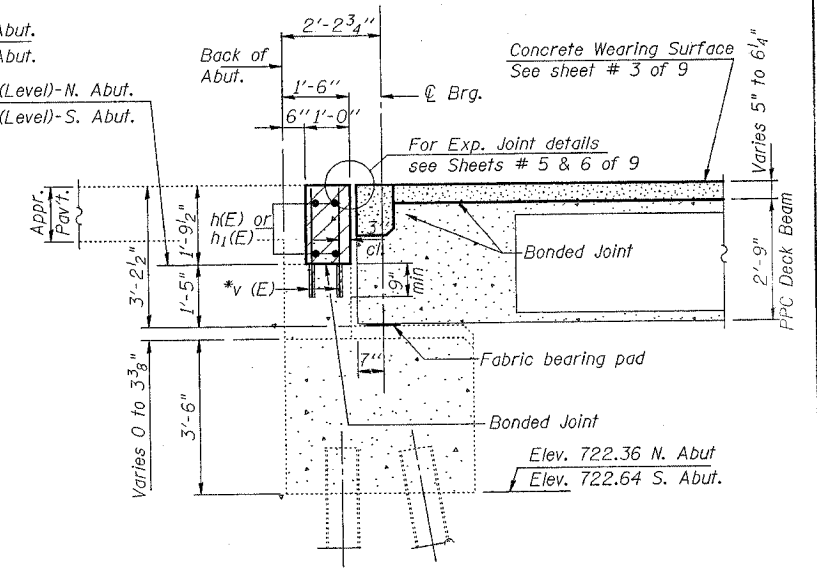
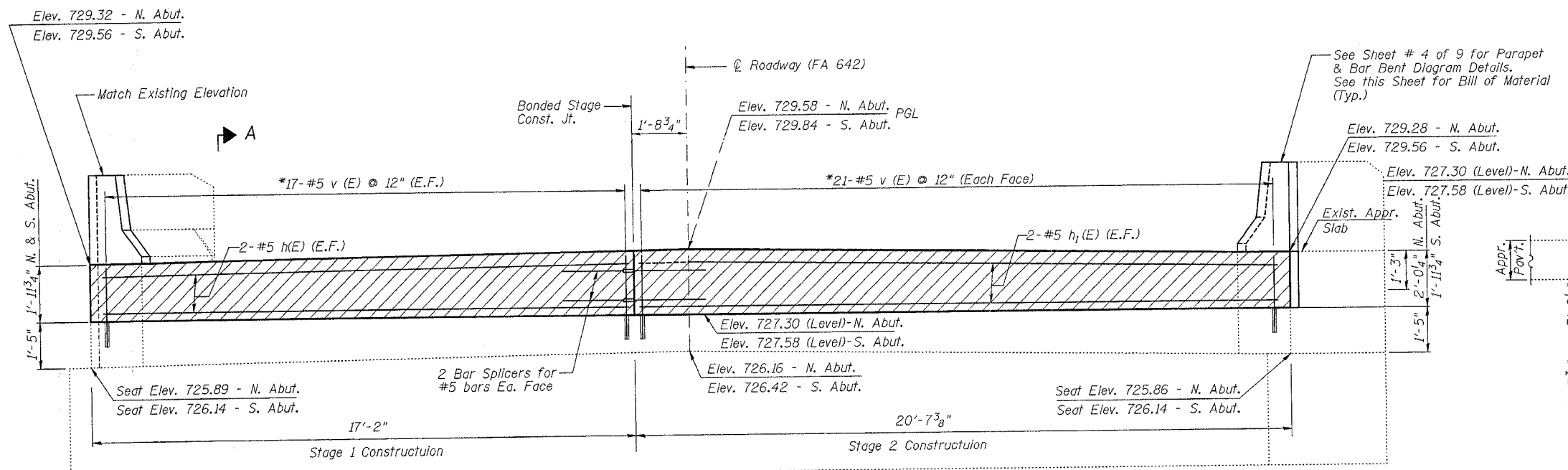


STATE OF ILLINOIS
DEPARTMENT OF TRANSPORTATION

ROUTE NO.	SECTION	COUNTY	STATE SHEETS	SHEET NO.	SHEET NO. 8 9 SHEETS
78	IOBR-3D & 11BR-8	JO DAVIESS	45	26	
FED. ROAD DIST. NO. Y	ILLINOIS	FED. AID PROJECT-	Contract # 64B27		



SECTION A-A

Notes:
All horizontal dimensions are at right angles to beam ends.
Hatched area to be poured after concrete wearing surface is in place.
See Sheet 5 of 10 for bearing pad details.

ONE ABUTMENT
BILL OF MATERIAL

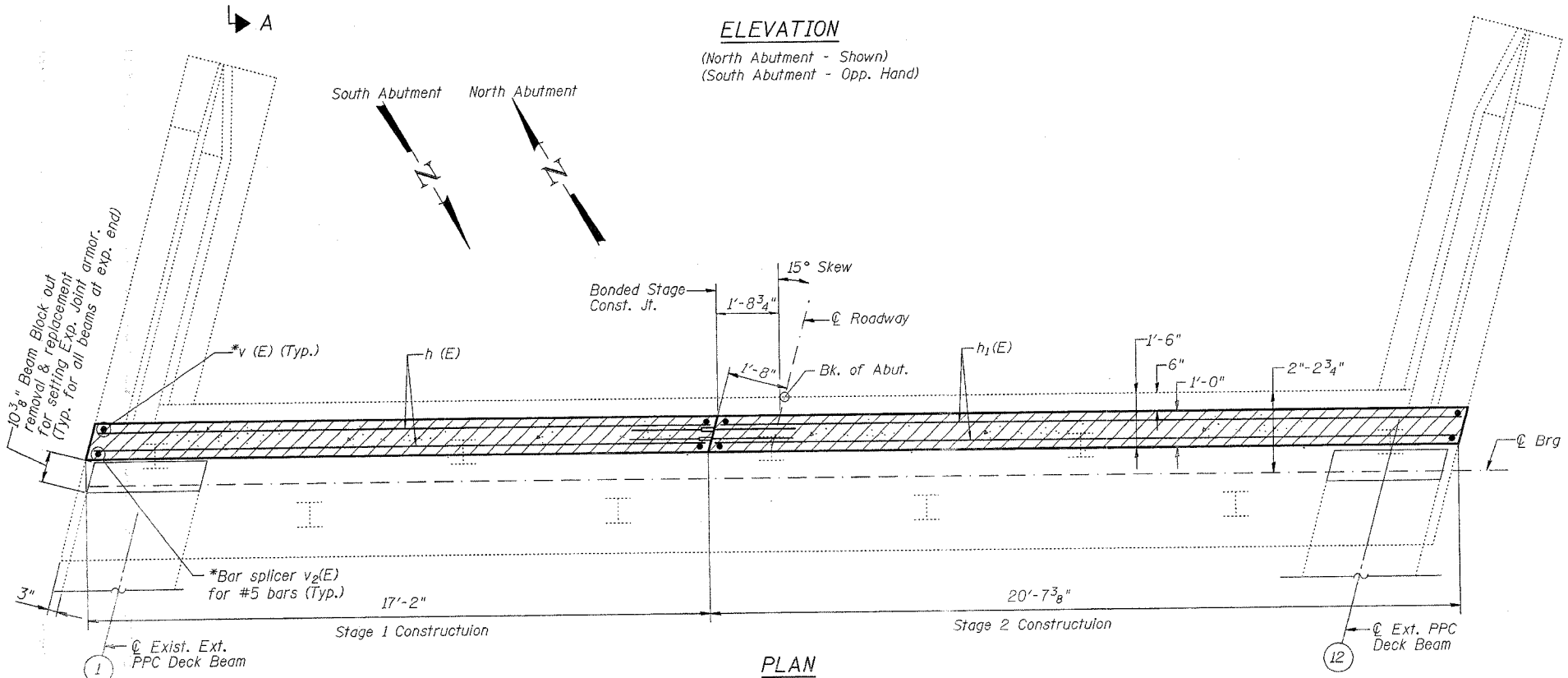
Bar No.	Size	Length	Shape
h(E)	4 #5	17'-6"	—
h1(E)	4 #5	20'-6"	—
d(E)	4 #4	5'-1"	—
d1(E)	4 #5	4'-9"	—
* v(E)	76 #5	2'-5"	—
Concrete Structures			Cu. Yd. 3.2
** Reinforcement Bars, Epoxy Coated			Pound 390

** Includes backwall and parapet over backwall

Reinforcement bars designated (E) shall be epoxy coated.
For details of Bar Splicers, see sheet 9 of 9.

ABUTMENT DETAILS

IL. RTE. 78 OVER
PLUM RIVER
F.A. 642 SECTION (IOBR-3)D & 11BR-8
JO DAVIESS COUNTY
STA. 318+36.71
STRUCTURE NUMBER 043-0040



PLAN

(North Abutment - Shown)
(South Abutment - Rotate 180°)

Notes:
Hatched area shall be poured after Concrete Wearing Surface (including blockout) is in place and cured.
Cost of temporary retainers and accessories are included with Precast Prestressed Concrete Deck Beams.(33" Depth.)

*Epoxy grout v(E), v1(E), and Bar Splicer v2(E) bars in 9" min. drilled holes according to Section 584 of the Standard Specifications.

DESIGNED JPM	200
CHECKED EMM	EXAMINED
DRAWN JPM	PASSED
CHECKED EMM	ENGINEER OF BRIDGES AND STRUCTURES

11/20/07, 04:10:46 AM, I:\Projects\PLUM RIVER\PROJECTS\FILE\PLUMRIVER\INS\ABUTDET.dgn
 11/20/07, 04:10:46 AM, I:\Projects\PLUM RIVER\PROJECTS\FILE\PLUMRIVER\INS\ABUTDET.dgn
 11/20/07, 04:10:46 AM, I:\Projects\PLUM RIVER\PROJECTS\FILE\PLUMRIVER\INS\ABUTDET.dgn