

STATE OF ILLINOIS
DEPARTMENT OF TRANSPORTATION

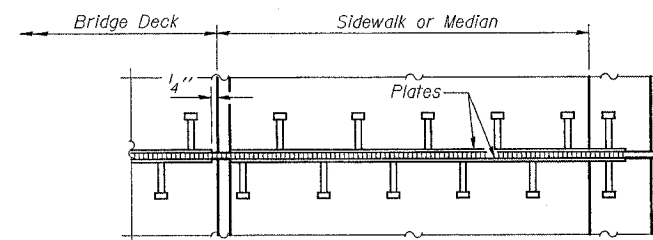
| | | | | | |
|-----------------------|---------------------|-------------------|--------------|-------|--------------------------|
| ROUTE NO. | SECTION | COUNTY | TOTAL SHEETS | SHEET | SHEET NO. 7 12 SHEETS |
| 78 | 10BR-3D & 11BR-8 | JO DAVIESS | 45 | 34 | |
| FED. ROAD DIST. NO. 7 | ILLINOIS | FED. AID PROJECT- | | | |

Contract # 64B27

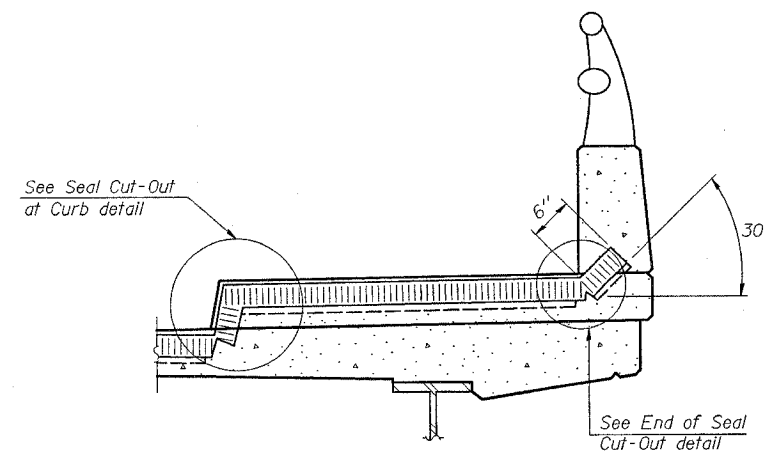
GENERAL NOTES

Furnish steel plates in segments of 20 feet maximum length. Maximum space between installed segments shall be $\frac{3}{16}$ ". Seal space with silicone sealant suitable for structural steel.

| Bridge Joint System (Expansion) | | |
|---------------------------------|-----------------------------------|------------------------------------|
| Design Movement | Required Prefomed Joint Seal Size | Required Strip Seal Rated movement |
| 1" | 2 $\frac{1}{2}$ " | 1" |
| 1 $\frac{5}{8}$ " | 4" | 2" |



PLAN AT SIDEWALK OR MEDIAN



AT SIDEWALK OR MEDIAN*
(Showing plate and seal)

* Shorter plates with a single row of studs at 12" centers may be necessary on medians which are shallower than 9". See manufacturer's recommendation.

BILL OF MATERIAL

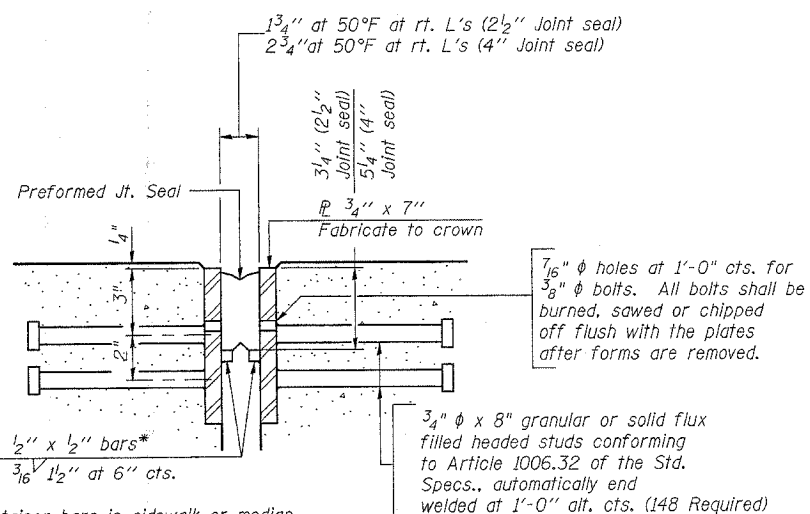
| Item | Unit | Total |
|---|------|-------|
| Bridge Joint System (Expansion) 1 $\frac{5}{8}$ " | foot | 36 |

(Sheet 1 of 2)

BRIDGE JOINT SYSTEM - EXPANSION
(PREFORMED JOINT SEAL)

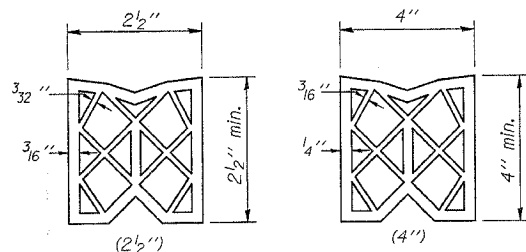
IL. RTE. 78 OVER
DAVIS CREEK
F.A. 642 SECTION (10BR-3D & 11BR-8
JO DAVIESS COUNTY
STA. 20+75.37
STRUCTURE NUMBER 043-0042

DATE : 12-21-05

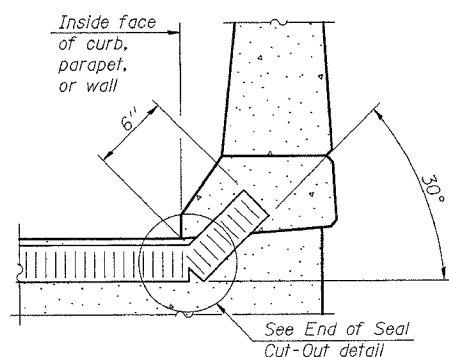


*Cut retainer bars in sidewalk or median 6" short of the sidewalk or median face.

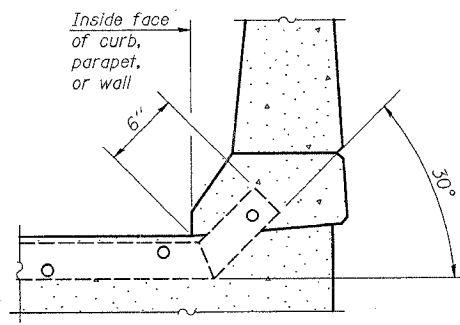
SECTION THRU EXPANSION JOINT
(2 $\frac{1}{2}$ " and 4" joint seals)



PREFORMED JOINT SEAL

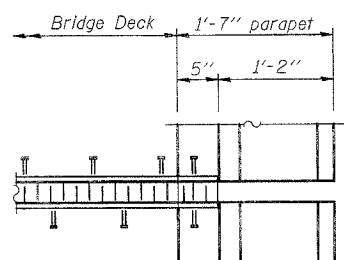


AT CURB, PARAPET, OR WALL
(Showing seal)

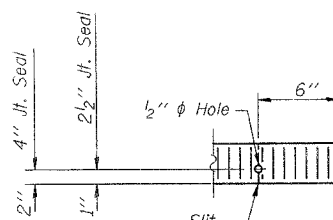


AT CURB, PARAPET, OR WALL
(Showing plate)

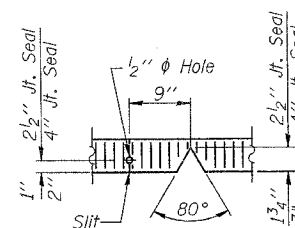
TYPICAL END TREATMENTS



PLAN AT PARAPET



END OF SEAL CUT-OUT



SEAL CUT-OUT AT CURB

| | |
|--------------|------------------------------------|
| DESIGNED COM | 200 |
| CHECKED EMM | EXAMINED |
| DRAWN COM | PASSED |
| CHECKED EMM | ENGINEER OF BRIDGES AND STRUCTURES |

EJ-BJS 10-22-04