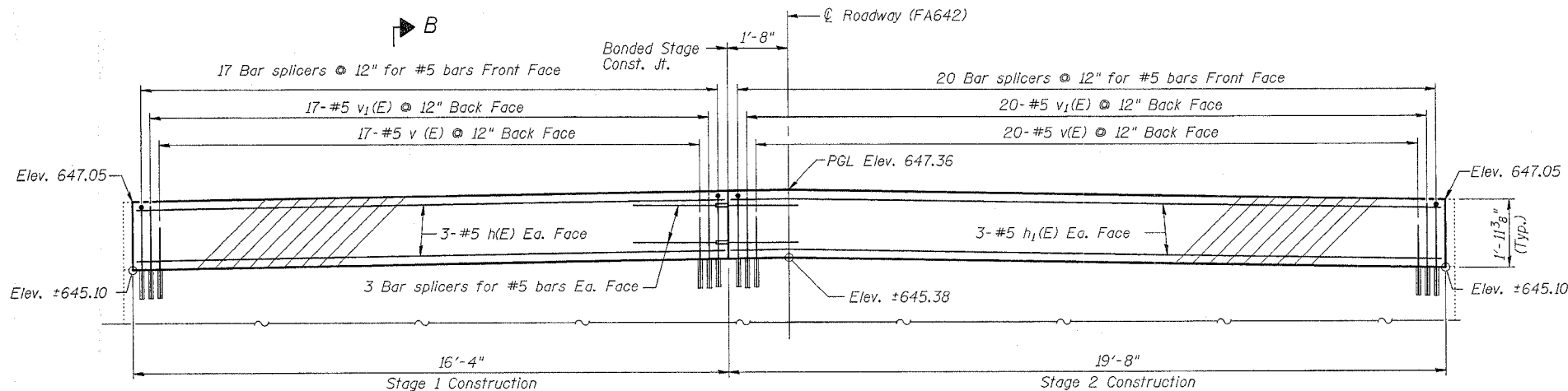


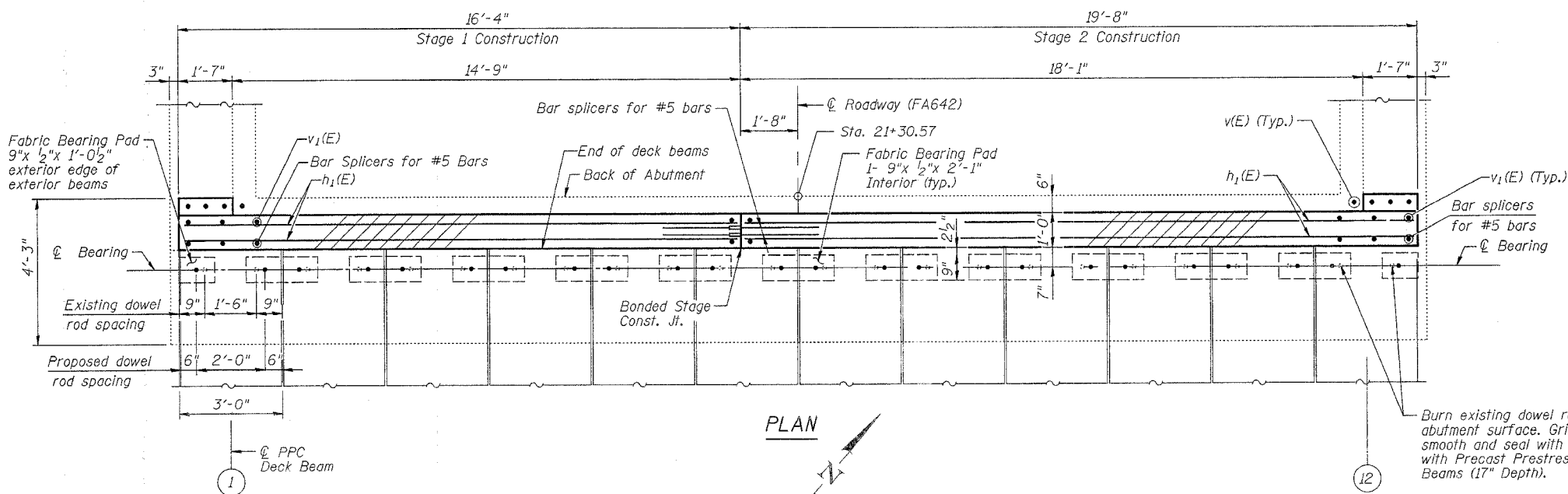
STATE OF ILLINOIS  
DEPARTMENT OF TRANSPORTATION

ROUTE NO.	SECTION	COUNTY	SHEET NO.	SHEET	SHEET NO.
78	(10BR-3)D & 11BR-8	JO DAVIESS	45	38	12 SHEETS
FED. ROAD DIST. NO. 7	ILLINOIS	FED. AID PROJECT-			

Contract # 64B27



ELEVATION



PLAN

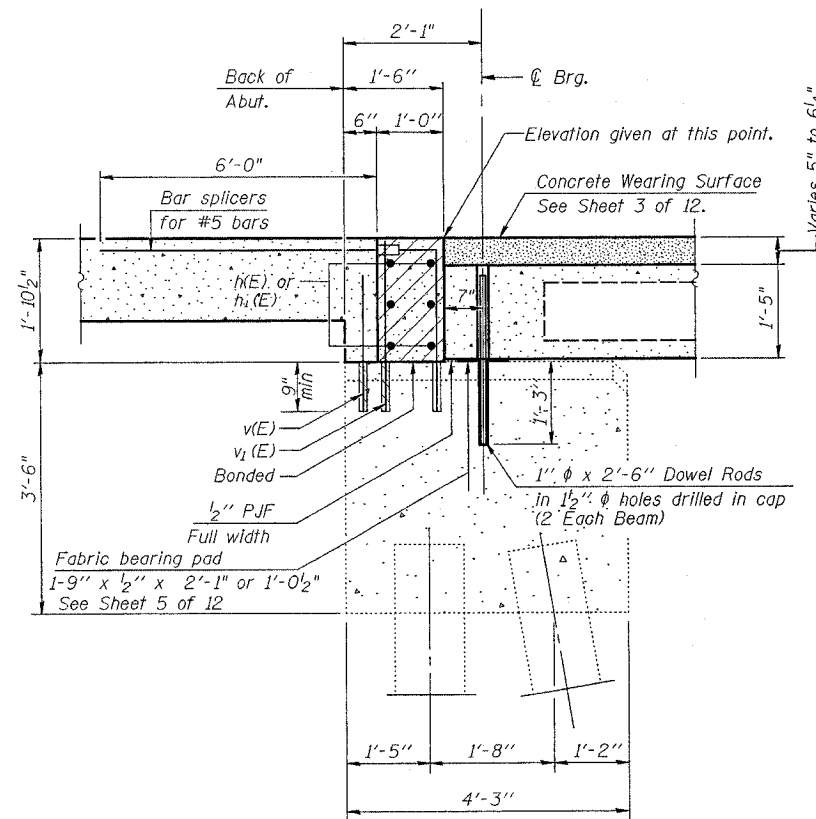
Notes:

Hatched area shall be poured after Concrete Wearing Surface (including blockout) is in place and cured. Cost of temporary retainers, and accessories are included with Precast Prestressed Concrete Deck Beams (17" Depth).

After beams have been erected, holes shall be drilled into substructure and anchor dowels placed. Dowel holes shall be filled with non-shrink grout to top of beam and allowed to cure min. 24 hrs. prior to grouting the shear keys.

\* Epoxy grout Bars v(E), v1(E) and Bar Splicers in 9" min. drilled holes according to Section 584 of the Standard Specifications.

Reinforcement bars designated (E) shall be epoxy coated. See sheet 5 of 12 for bearing pad details.



SEC. B-B

BILL OF MATERIAL

Bar	No.	Size	Length	Shape
h(E)	6	#5	16'-1"	—
h1(E)	6	#5	19'-5"	—
v(E)	37	#5	2'-3"	—
v1(E)	37	#5	2'-6"	—
Concrete Structures		Cu. Yd.	2.7	
Reinforcement Bars, Epoxy Coated		Pound	410	

NORTH ABUTMENT

IL. RTE. 78 OVER  
DAVIS CREEK  
F.A. 642 SECTION (10BR-3)D & 11BR-8  
JO DAVIESS COUNTY  
STA. 20+75.37  
STRUCTURE NUMBER 043-0042

DATE : 12-21-05

DESIGNED CQM	200
CHECKED EMM	EXAMINED
DRAWN CQM	PASSED
CHECKED EMM	ENGINEER OF BRIDGE DESIGN
	ENGINEER OF BRIDGES AND STRUCTURES