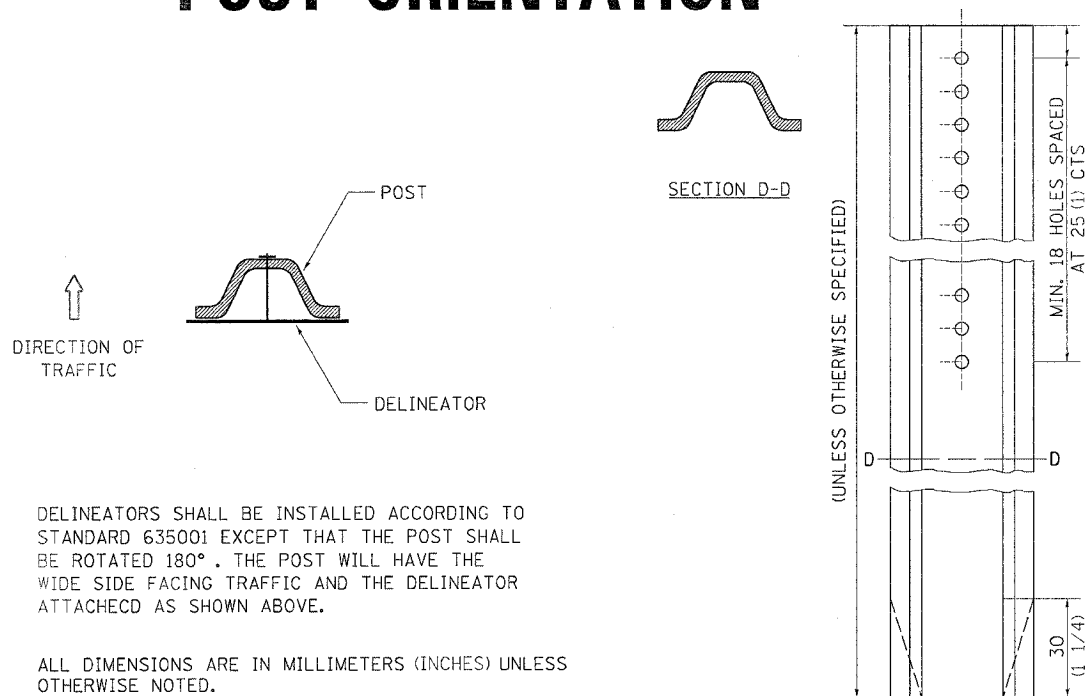


F.A.P. RTE.	SECTION	COUNTY	TOTAL SHEET NO.
642	(10BR-3)D	JODAVIESS	45 40
STA.	11BR-8	TO STA.	
FED. ROAD DIST. NO.	ILLINOIS	FED. AID PROJECT	

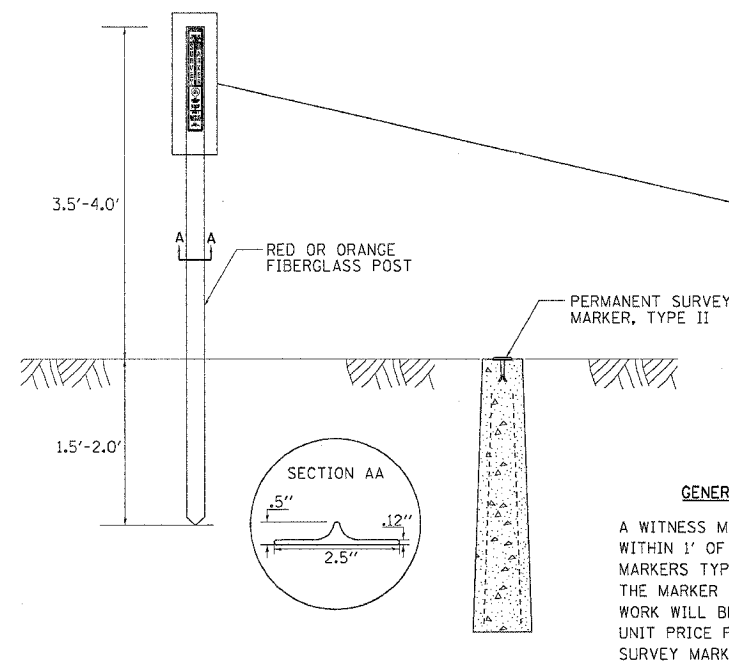
# DELINEATOR AND POST ORIENTATION



**DELINEATOR AND POST ORIENTATION 37.4**

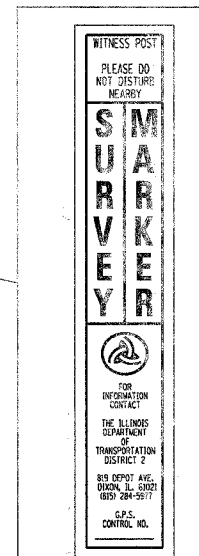
REVISED 1-31-00

# WITNESS MARKER FOR PERMANENT SURVEY MARKERS TYPE II



**GENERAL NOTES**

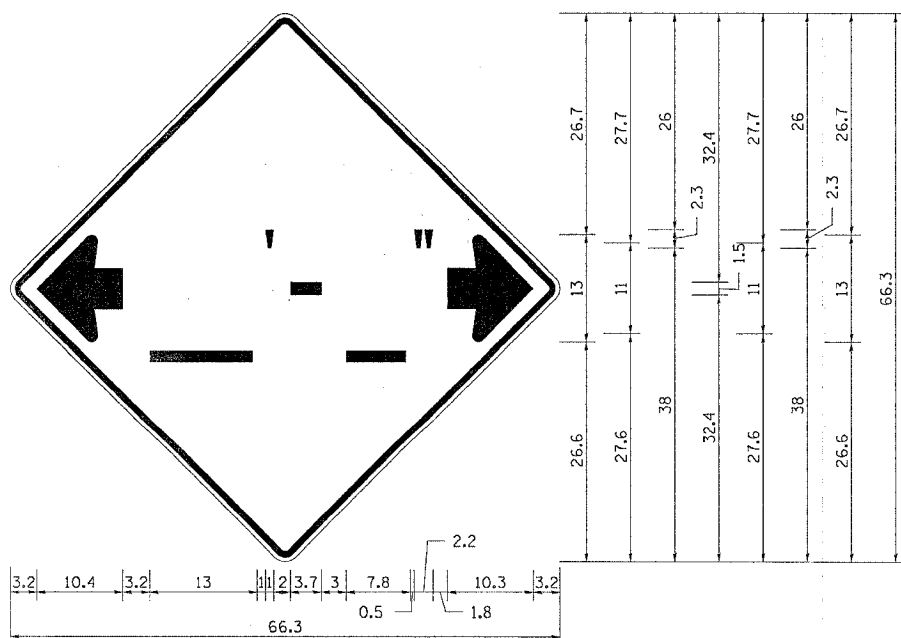
A WITNESS MARKER SHALL BE INSTALLED WITHIN 1' OF ALL PERMANENT SURVEY MARKERS TYPE II EXCEPT IN AREAS WHERE THE MARKER IS IN THE SIDEWALK. THIS WORK WILL BE INCLUDED TO THE CONTRACT UNIT PRICE PER EACH FOR PERMANENT SURVEY MARKERS, TYPE II.



**WITNESS MARKER FOR PERMANENT SURVEY MARKERS TYPE II 38.4**

REVISED 1-31-00

# INFORMATIONAL WARNING SIGN (FOR NARROW TRAVEL LANES)



**NOTES**

W12-2 - Horizontal Clearance Sign 48.0" across sides, 1.9" Radius, 0.8" Border, 0.5" Indent, Black on Orange; Standard Arrow Custom 10.4" X 8.1" 180° Black 11 Inch D Series Lettering; Standard Arrow Custom 10.4" X 8.1" 0°

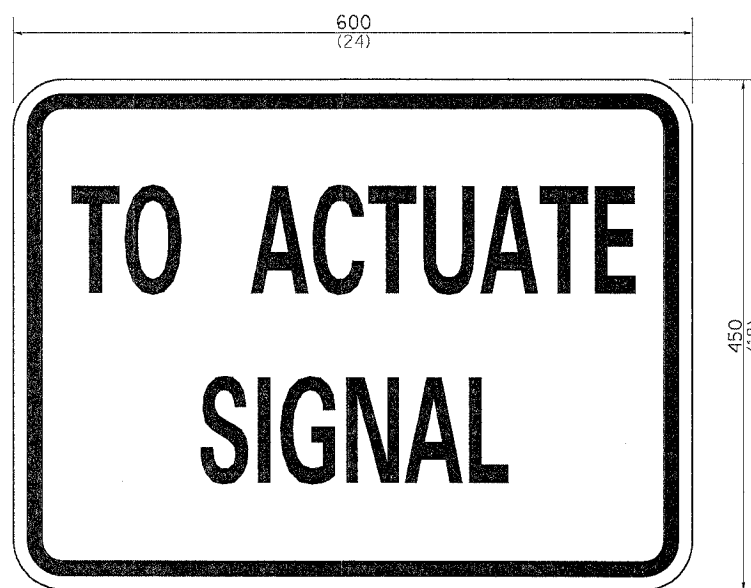
All work to furnish and install these signs shall be included in the cost of the Traffic Control Standards and shall not be paid for separately.

ALL DIMENSIONS ARE IN INCHES UNLESS OTHERWISE NOTED.

**INFORMATIONAL WARNING SIGN (FOR NARROW TRAVEL LANES) 39.4**

REVISED 6-29-05

# STOP LINE SIGN FOR TEMPORARY SIGNALS



SIZE: 600(24) x 450(18)

100(4) CAPITAL LETTERS - BLACK

13 (1/2) BORDER - BLACK

WHITE REFLECTIVE - TYPE B ENGINEERING GRADE SHEETING

**GENERAL NOTE:**

THIS SIGN SHALL BE INSTALLED AT THE STOP LINE AS DIRECTED BY ENGINEER.

ALL DIMENSIONS ARE IN MILLIMETERS (INCHES) UNLESS OTHERWISE NOTED.

**STOP LINE SIGN FOR TEMPORARY SIGNALS 99.4**

REVISED 8-7-90

PLOT DATE = Fri, Dec 30 6:12:21 AM 2005  
 PLOT SCALE = 1:1  
 PLOT SIZE = 11.0000 x 17.0000 IN.  
 REFERENCE = #REF#