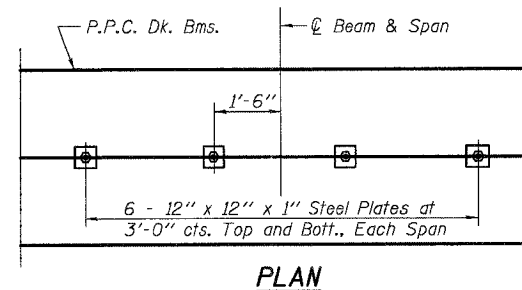
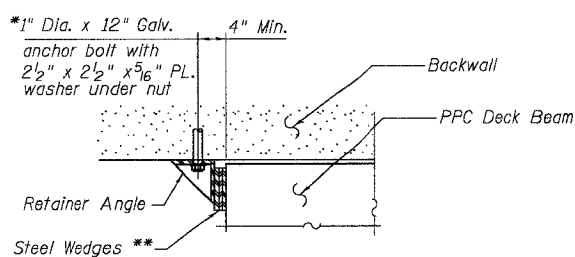


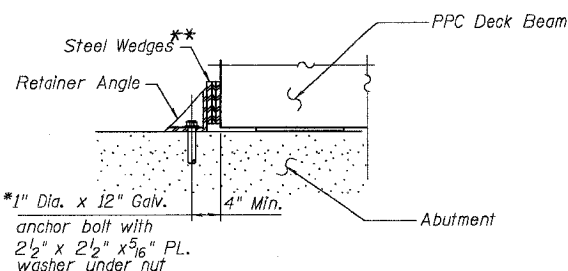
SILICONE JOINT SEALER DETAIL



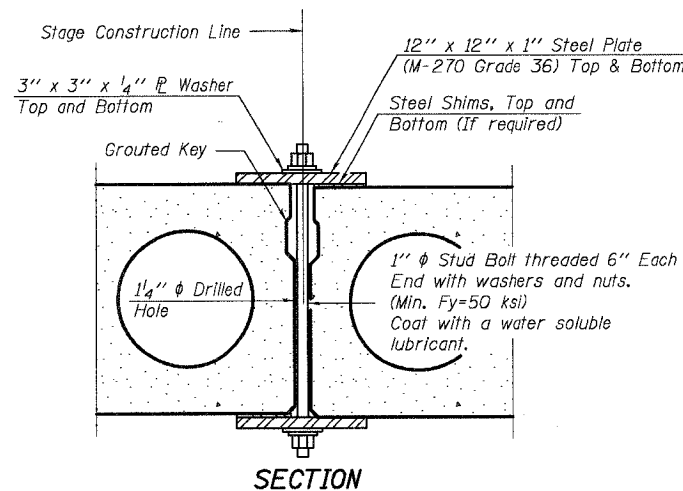
PLAN



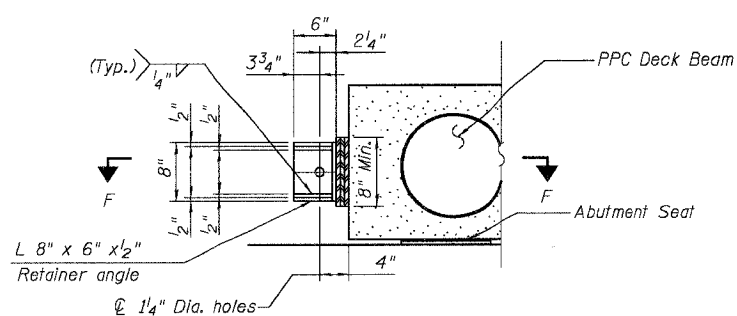
SECTION F-F
Not To Scale



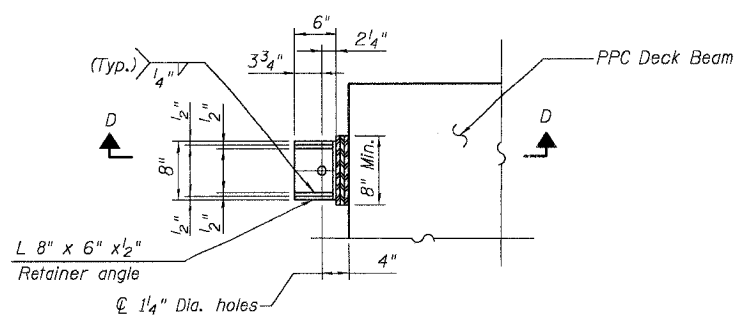
SECTION D-D
Not To Scale



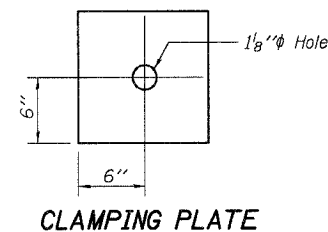
SECTION



ELEVATION
RETAINER ANGLE AT EXPANSION JOINT
Not To Scale



PLAN
RETAINER ANGLE AT STAGE CONSTRUCTION JOINT
Not To Scale



CLAMPING PLATE

SHEAR KEY CLAMPING DETAILS AT STAGE CONST. JT.

See Special Provisions for Stage Construction of Precast Prestressed Concrete Deck Beams.
Cost included with "Precast Prestressed Concrete Deck Beams".
See Stage Construction Details for traffic lanes.

BILL OF MATERIAL

Item	Unit	Total
Polymer Concrete	Cu. Ft.	10
Silicone Joint Sealer, 1 1/2"	Foot	40

* Anchor bolts may be cast into the masonry or approved threaded rod may be placed in drilled holes and grouted in place. Cost of retainer and accessories are included with Precast Prestressed Concrete Deck Beams. Anchor bolt for retainer angle at construction joint shall be removed, flush with seat in Construction Stage 2.

** Wedges shall be removed after wearing surface has cured.

DESIGNED	MGH
CHECKED	RGD
DRAWN	MDJ
CHECKED	NRF