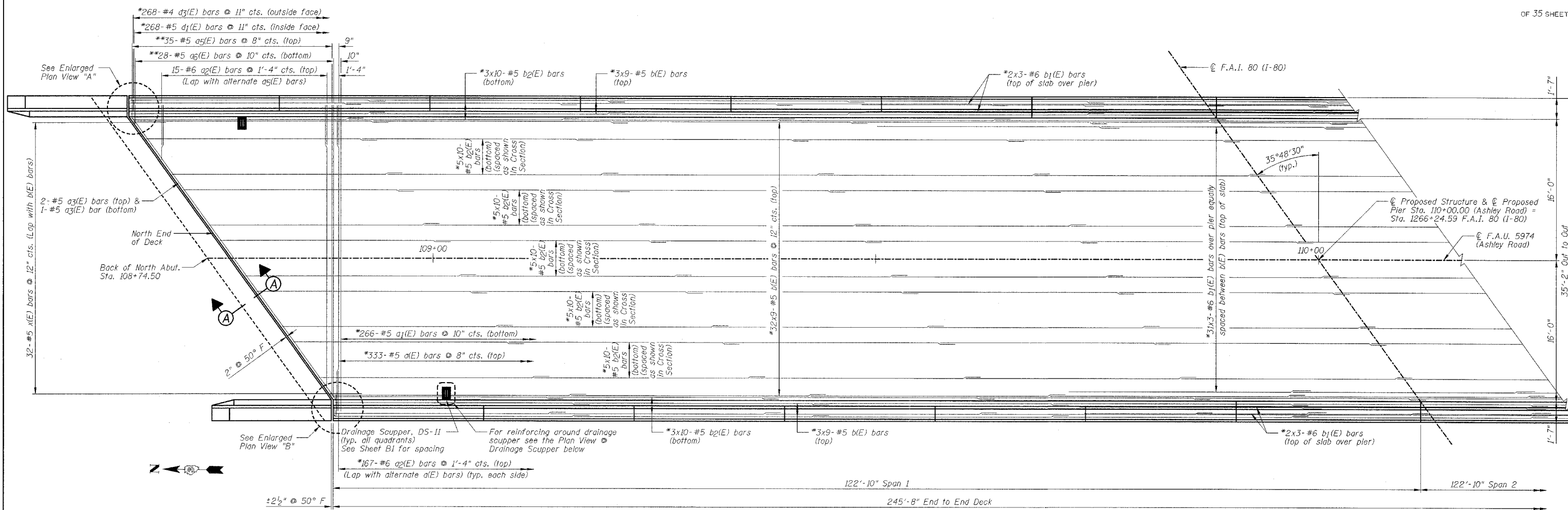


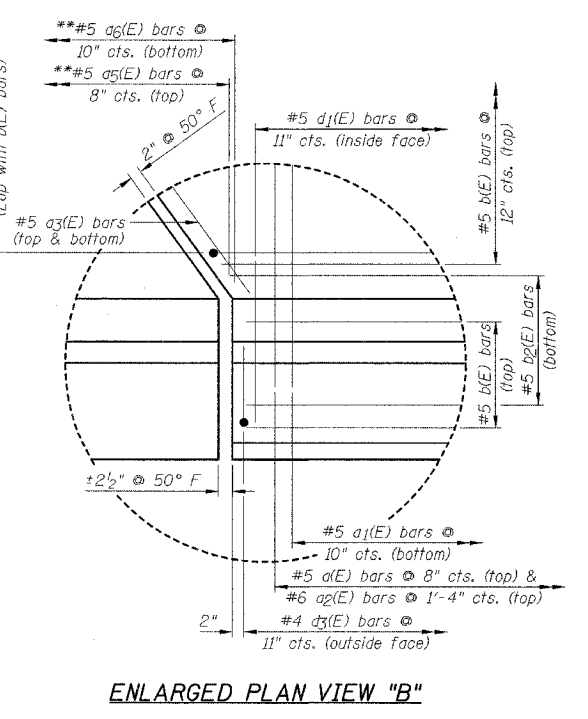
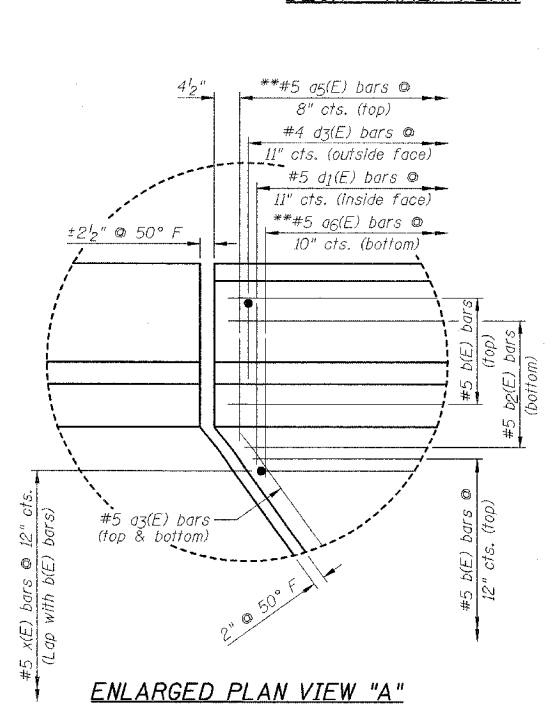
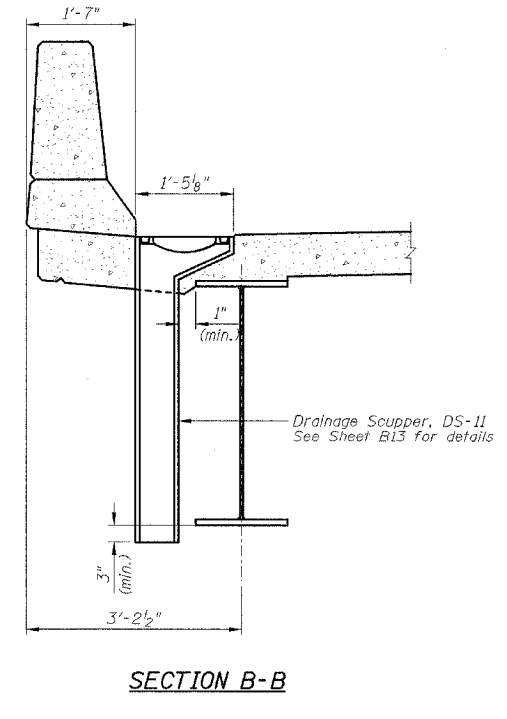
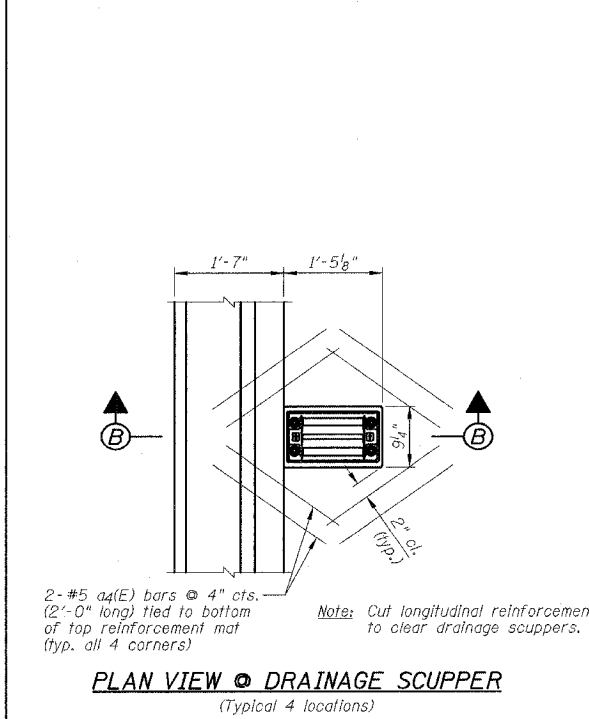
STATE OF ILLINOIS
DEPARTMENT OF TRANSPORTATION

CONTRACT NO. 66407				
F.A.I. RTE.	SECTION	COUNTY	TOTAL SHEETS	SHEET NO.
80	32-3HBR-1	GRUNDY	88	35
STA.		TO STA.		
FED. ROAD DIST. NO.		ILLINOIS FED. AID PROJECT		

SHEET NO. B8
OF 35 SHEETS



DECK - HALF PLAN



BAR LAP	
#5	1'-8"
#6	2'-0"

* Bar quantity is for entire deck.
** Order a5(E) & a6(E) bars full length. Cut to fit skew and use remainder of bars in opposite end. See Sheet B11 for Bar Cutting Diagram.

NOTES:

- 1.) Work this sheet with Sheets B6, B7 & B9 thru B11.
- 2.) See Sheet B10 for Deck Cross Section & Sheet B11 for Superstructure Details and Bill of Material.
- 3.) See Sheet B11 for Section A-A.
- 4.) Reinforcement bars designated (E) shall be epoxy coated.
- 5.) Bars indicated thus 32x5-#5 etc. indicates 32 lines of bars with 9 lengths per line.
- 6.) Parapet width exaggerated to show reinforcement bars.
- 7.) Space drainage scupper to miss stud shear connectors and reinforcing bars.

REVISIONS	
NAME	DATE

ILLINOIS DEPARTMENT OF TRANSPORTATION
SUPERSTRUCTURE DECK
F.A.I. 80 (I-80)
F.A.U. 5974 (ASHLEY ROAD) OVER I-80
SECTION 32-3HBR-1
GRUNDY COUNTY
STATION 110+00.00 STRUCTURE NO. 032-0113
DESIGNED BY: JML
DRAWN BY: DJM
DATE: 09/09/05
CHECKED BY: MSW