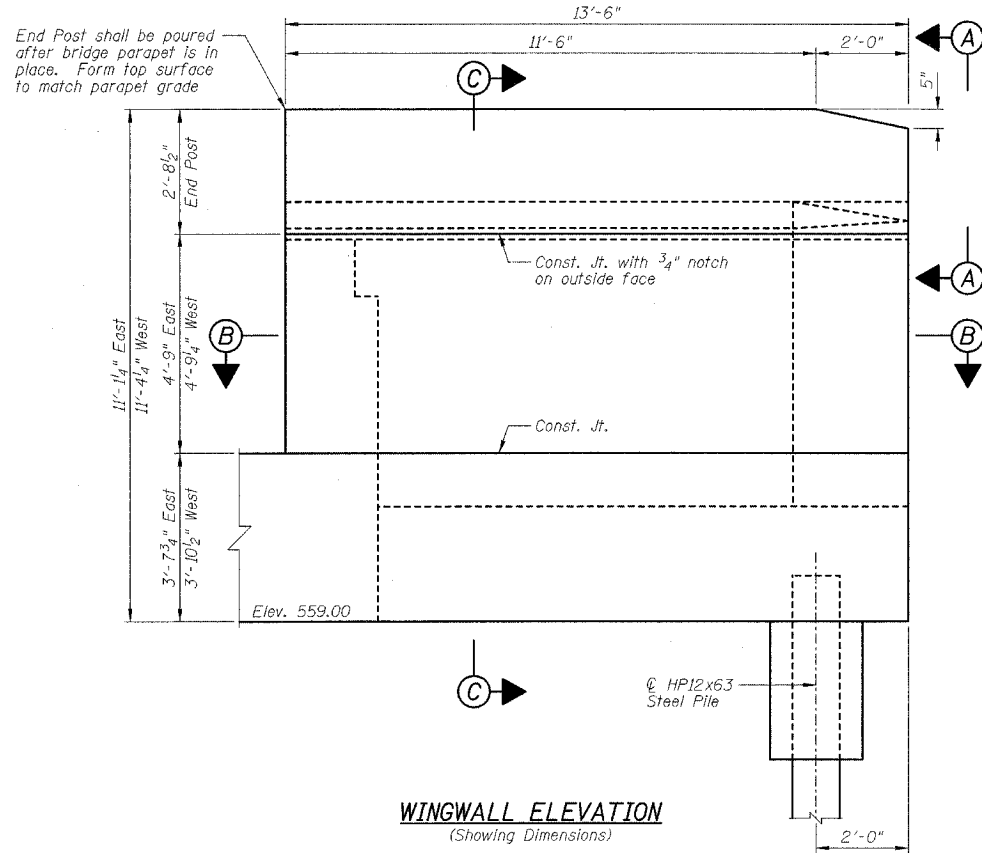


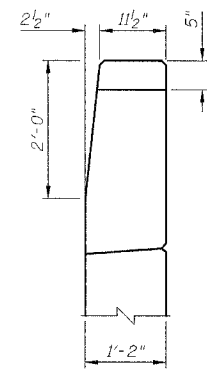
F.A.I. RTE.	SECTION	COUNTY	TOTAL SHEETS	SHEET NO.
80	32-3HBR-1	GRUNDY	88	47
STA.		TO STA.		
FED. ROAD DIST. NO.		ILLINOIS FED. AID PROJECT		

SHEET NO. B20  
OF 35 SHEETS

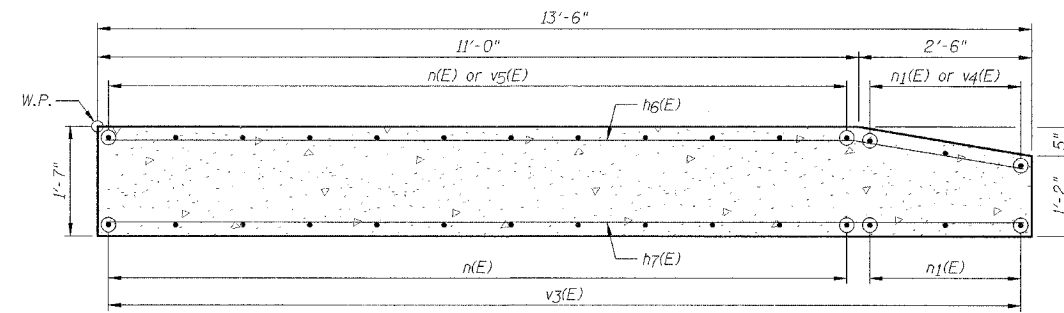
STATE OF ILLINOIS  
DEPARTMENT OF TRANSPORTATION



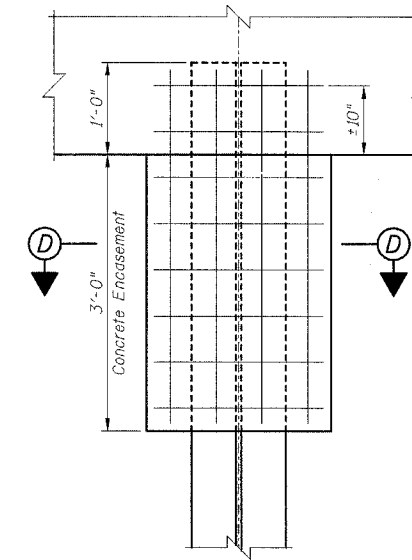
WINGWALL ELEVATION  
(Showing Dimensions)



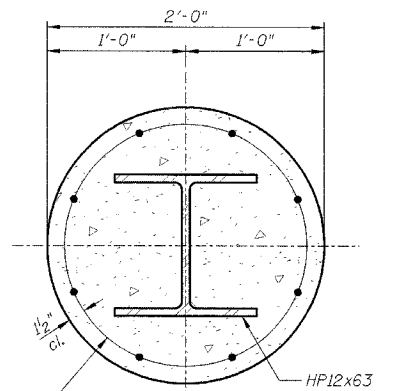
SECTION A-A



SECTION B-B

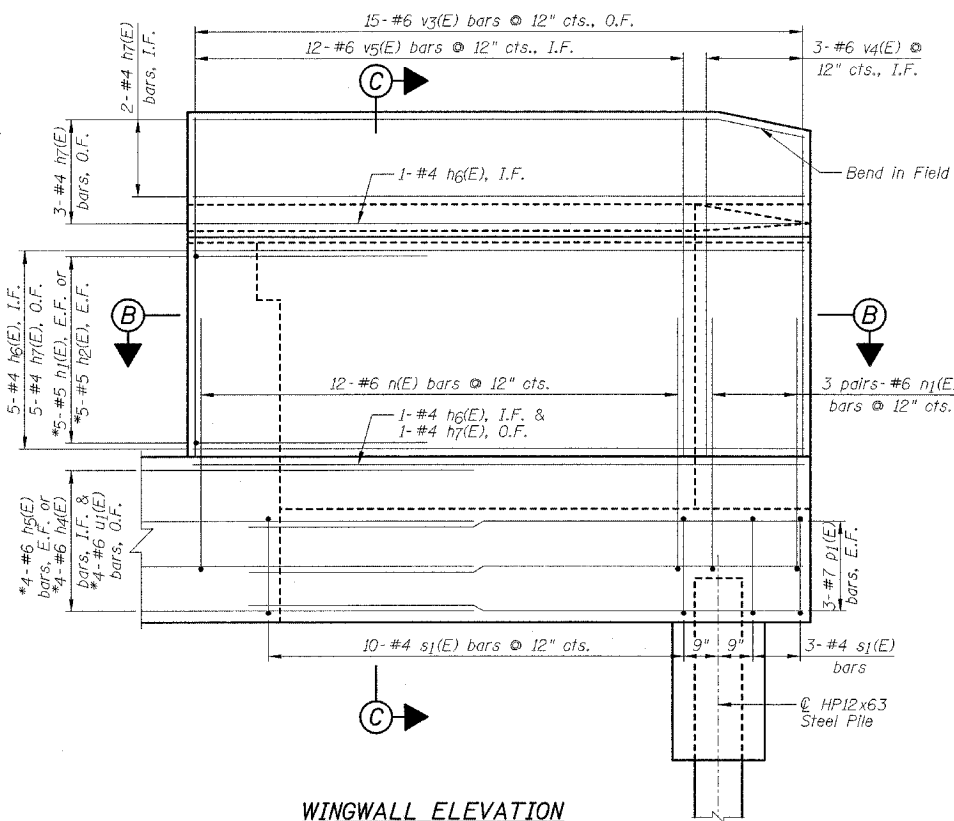


PILE ENCASEMENT DETAIL



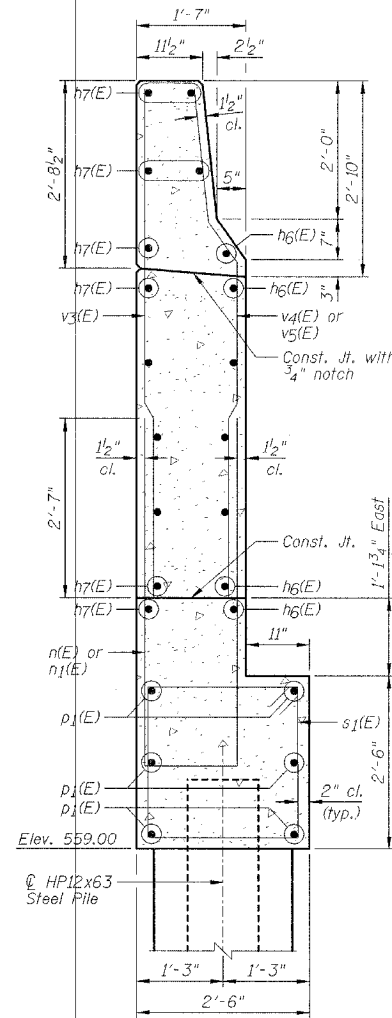
SECTION D-D

Welded wire fabric 6 x 6-W4.0 x W4.0 weighing 58#/100 sq. ft. The cost of Excavation, Concrete Encasement and Reinforcement is included with Furnishing Piles. Forms for Encasement may be omitted when soil conditions permit.

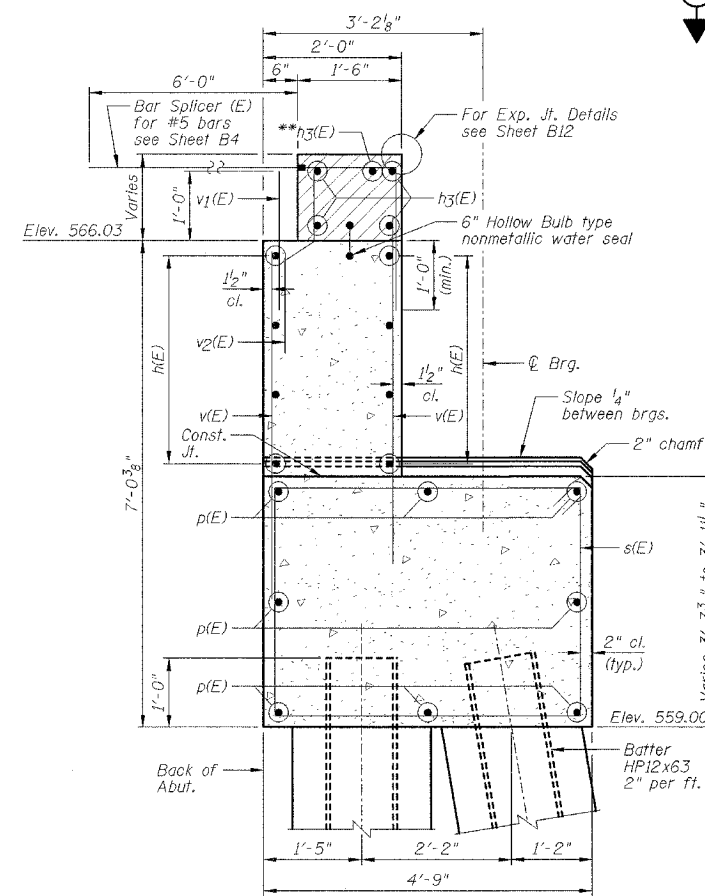


WINGWALL ELEVATION  
(Showing Reinforcement)

\*See Plan Views on Sheet B19 for reinforcement locations.



SECTION C-C



SECTION THRU ABUTMENT

\*\*See Section A-A on Sheet B11.

NOTES:

- 1.) Work this sheet with Sheets B2, B4 & B19.
- 2.) Space reinforcement in cap to miss anchor bolts.
- 3.) Reinforcement bars designated (E) shall be epoxy coated.
- 4.) Pour steps monolithically with cap.
- 5.) E.F. denotes Each Face, I.F. denotes Inside Face, O.F. denotes Outside Face.
- 6.) Hatched area to be poured after Superstructure forms have been removed. Quantity of concrete included with "Concrete Superstructure".
- 7.) Quantity of concrete in end post included with "Concrete Superstructure" on Sheet B11.
- 8.) h3(E) bars are included with the Superstructure Quantities on Sheet B11.

REVISIONS	
NAME	DATE

ILLINOIS DEPARTMENT OF TRANSPORTATION  
NORTH ABUTMENT DETAILS  
F.A.I. 80 (I-80)  
F.A.U. 5974 (ASHLEY ROAD) OVER I-80  
SECTION 32-3HBR-1  
GRUNDY COUNTY  
STATION 110+00.00 STRUCTURE NO. 032-0113  
DESIGNED BY: JML DRAWN BY: DJM  
DATE: 09/09/05 CHECKED BY: MSW