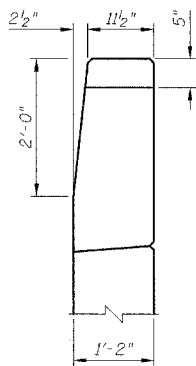
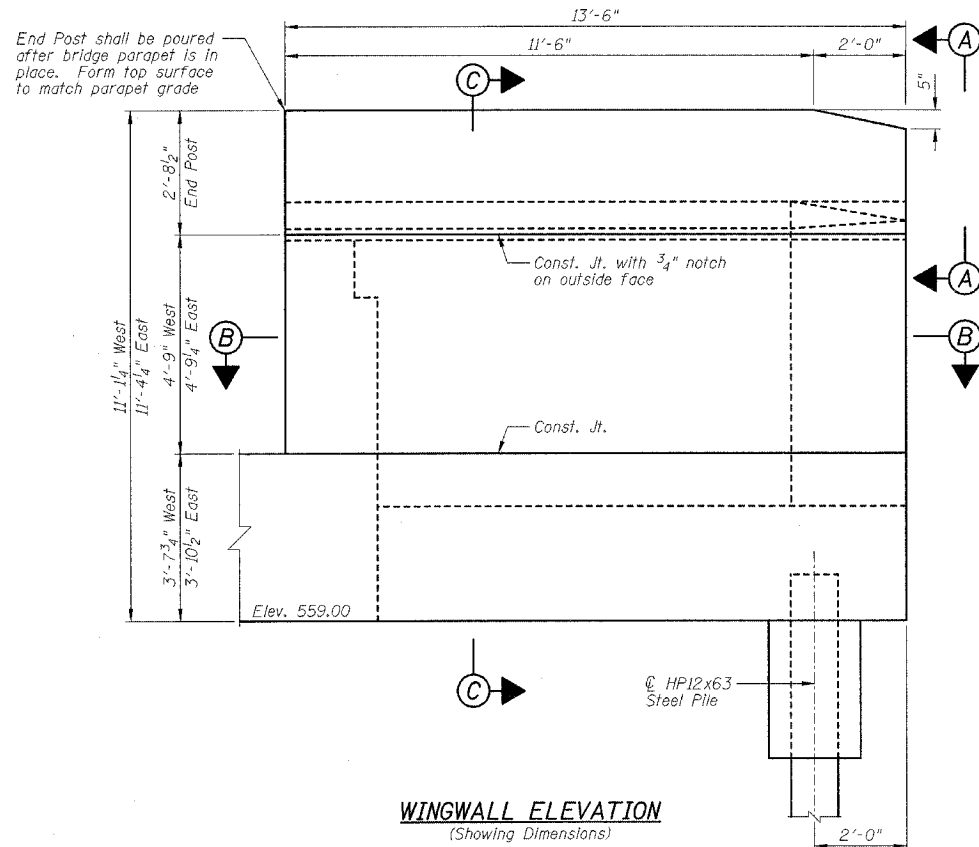
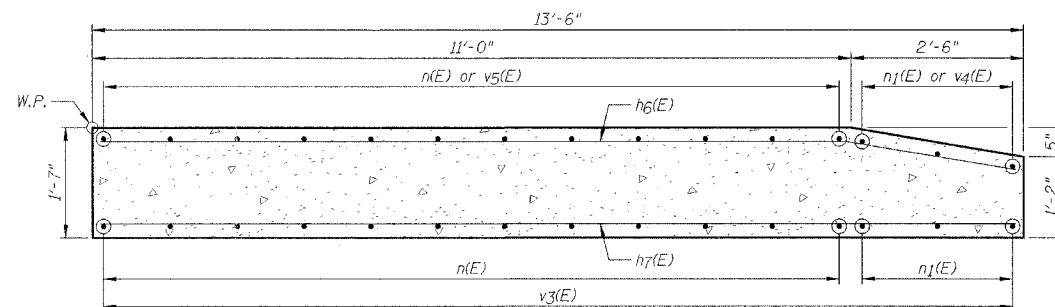


F.A.I. RTE.	SECTION	COUNTY	TOTAL SHEETS	SHEET NO.
80	32-3HBR-1	GRUNDY	88	49
STA.		TO STA.		
FED. ROAD DIST. NO.		ILLINOIS FED. AID PROJECT		

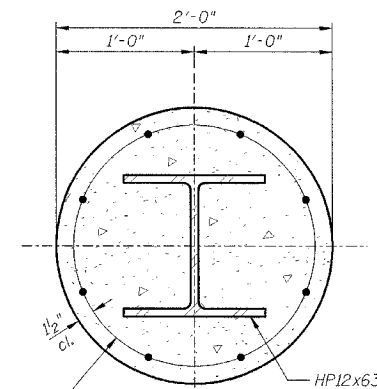
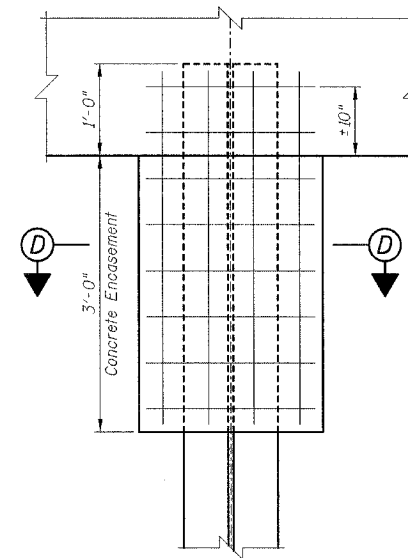
STATE OF ILLINOIS
DEPARTMENT OF TRANSPORTATION



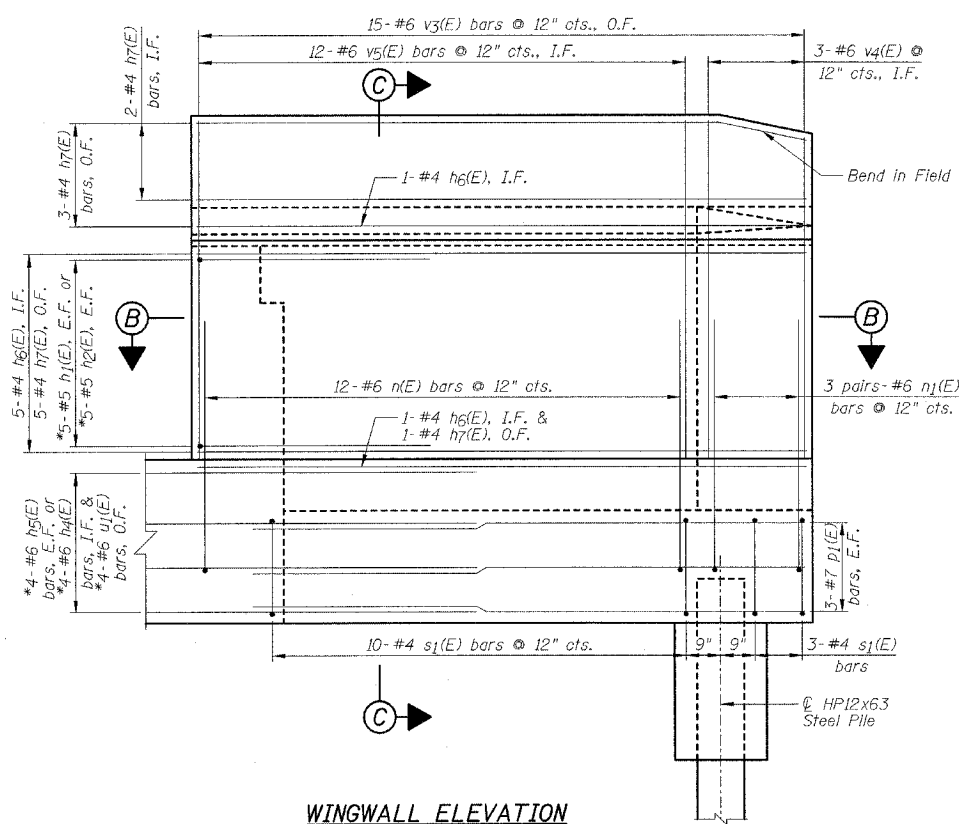
SECTION A-A



SECTION B-B

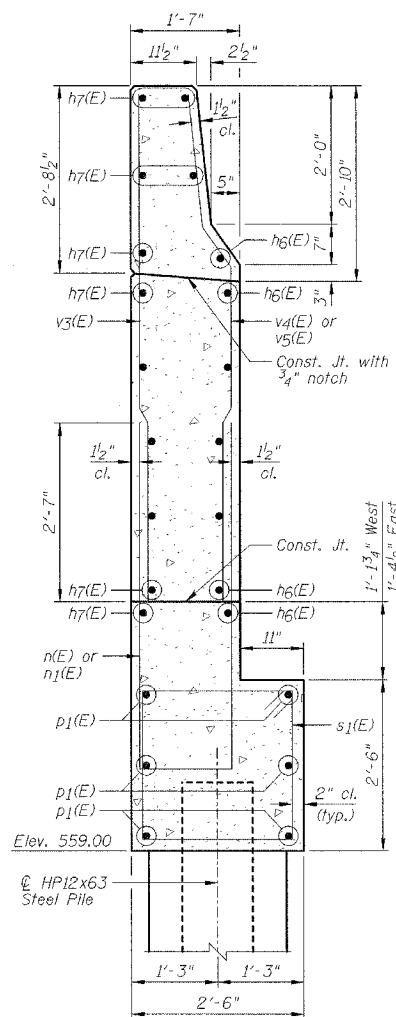


SECTION D-D

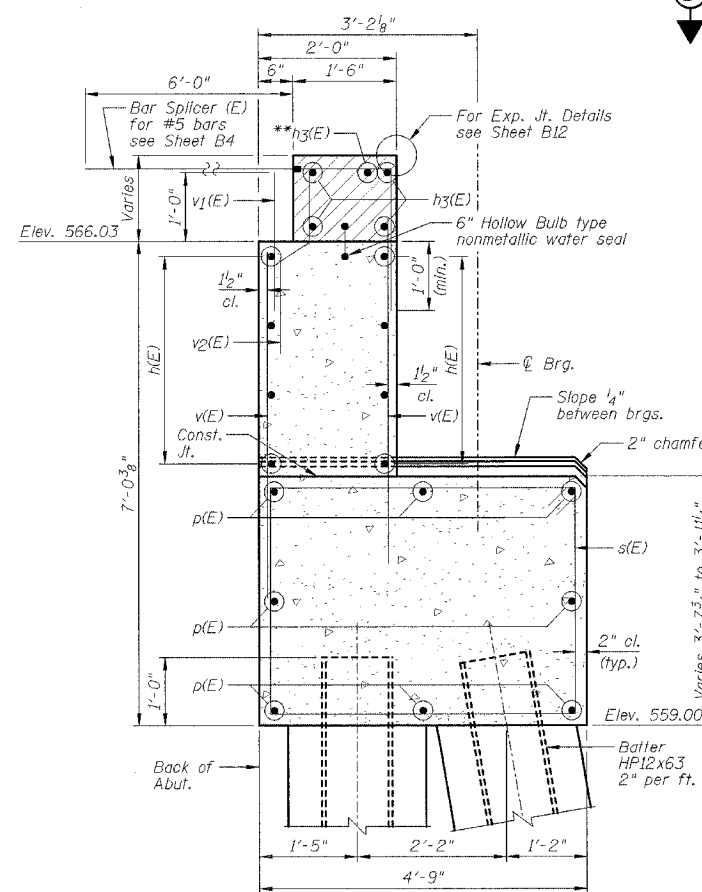


WINGWALL ELEVATION
(Showing Reinforcement)

*See Plan Views on Sheet B19 for reinforcement locations.



SECTION C-C



SECTION THRU ABUTMENT

**See Section A-A on Sheet B11.

NOTES:

- 1.) Work this sheet with Sheets B2, B4 & B21.
- 2.) Space reinforcement in cap to miss anchor bolts.
- 3.) Reinforcement bars designated (E) shall be epoxy coated.
- 4.) Pour steps monolithically with cap.
- 5.) E.F. denotes Each Face, I.F. denotes Inside Face, O.F. denotes Outside Face.
- 6.) Hatched area to be poured after Superstructure forms have been removed. Quantity of concrete included with "Concrete Superstructure".
- 7.) Quantity of concrete in end post included with "Concrete Superstructure" on Sheet B11.
- 8.) h3(E) bars are included with the Superstructure Quantities on Sheet B11.

REVISIONS	
NAME	DATE

ILLINOIS DEPARTMENT OF TRANSPORTATION
SOUTH ABUTMENT DETAILS
F.A.I. 80 (I-80)
F.A.U. 5974 (ASHLEY ROAD) OVER I-80
SECTION 32-3HBR-1
GRUNDY COUNTY
STATION 110+00.00 STRUCTURE NO. 032-0113
DESIGNED BY: JML DRAWN BY: DJM
DATE: 09/09/05 CHECKED BY: MSW