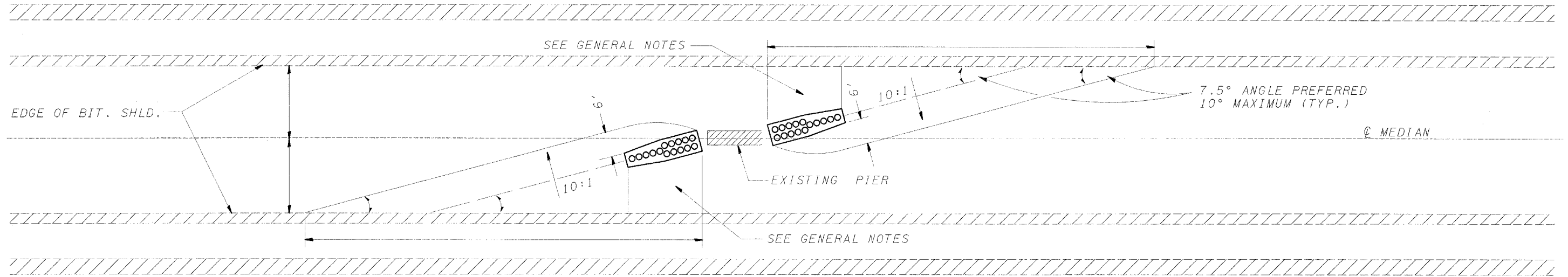


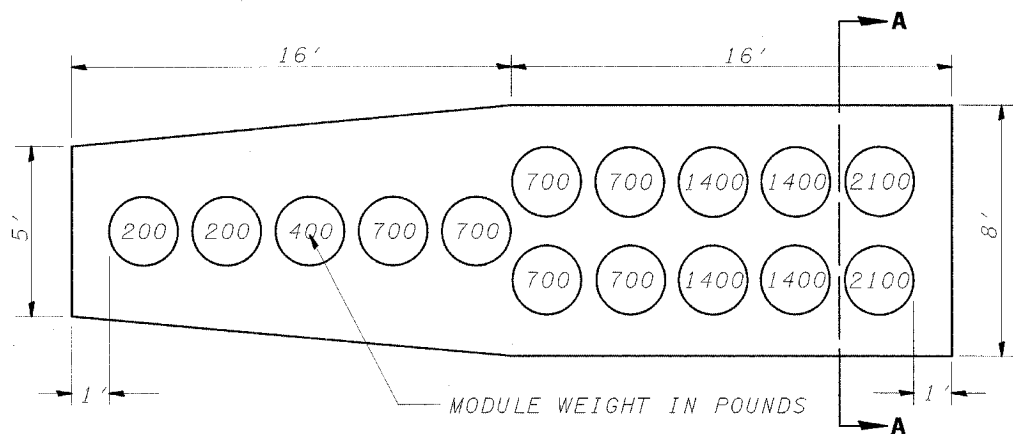
F.A.I. RTE.	SECTION	COUNTY	TOTAL SHEETS	SHEET NO.
80	32-3HBR-1	GRUNDY	88	73
STA.	TO STA.			
FED. ROAD DIST. NO.	ILLINOIS	FED. AID PROJECT		

**GENERAL NOTES**

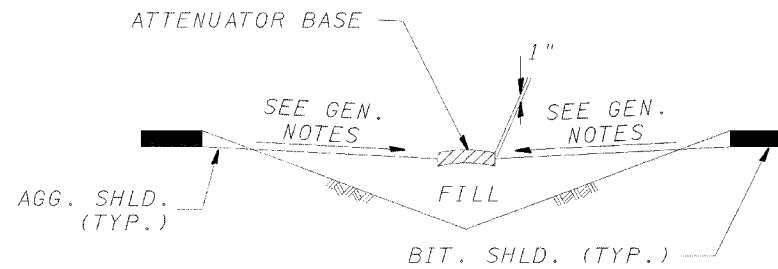
1. THE 10:1 SLOPE CONTROLS NOSE OF ATTENUATOR BASE ELEVATION.
2. ATTENUATOR BASE GRADE PARALLELS EDGE OF PAVEMENT GRADE.
3. SLOPE ADJACENT TO ATTENUATOR BASE SHALL BE 10:1 OR FLATTER.



**INERTIAL BARRIER LAYOUT AND GRADING PLAN**

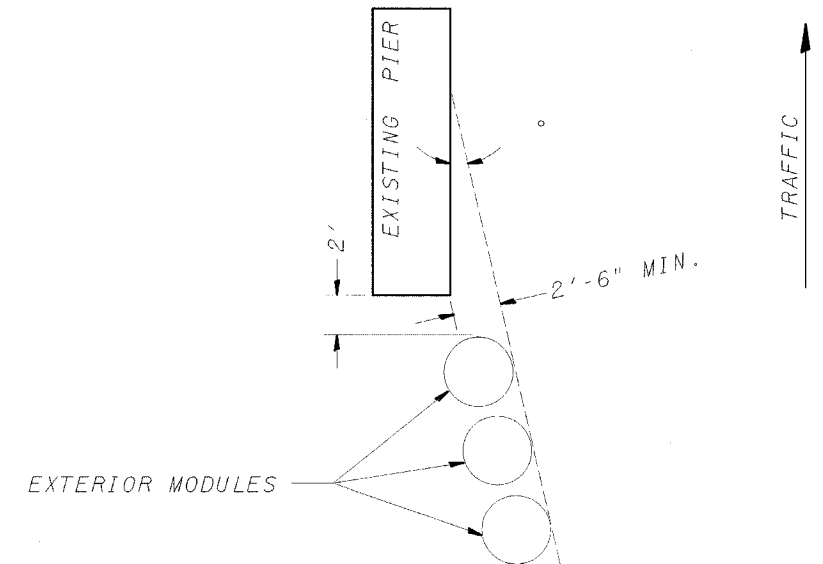


**INERTIAL BARRIER MODULE ARRAY AND ATTENUATOR BASE PLAN**



**SECTION A - A**

**INERTIAL BARRIER INSTALLATION DETAILS**



**EXTERIOR MODULE LAYOUT**

631-1

REVISIONS	
NAME	DATE

ILLINOIS DEPARTMENT OF TRANSPORTATION  
 DISTRICT DETAILS  
 F.A.I. 80 (I-80)  
 SECTION 32-3HBR-1  
 GRUNDY COUNTY

DATE: 09/09/05

DRAWN BY: JJO  
 CHECKED BY: MSW