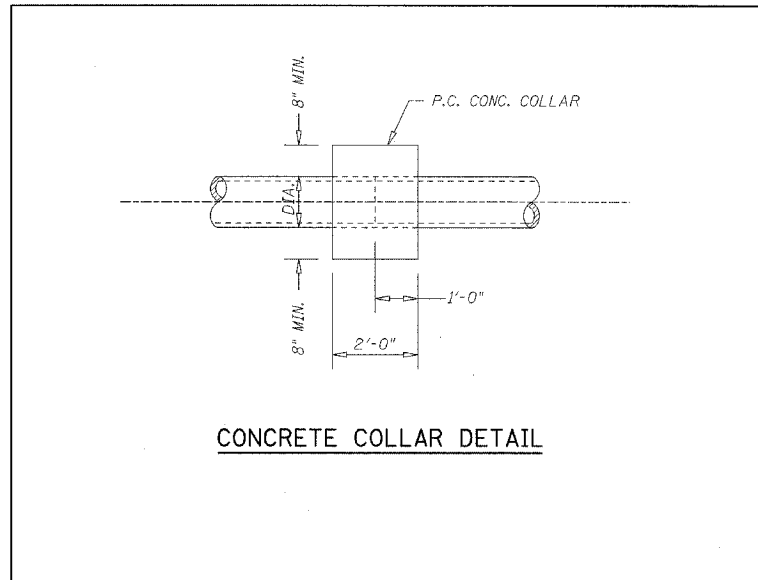
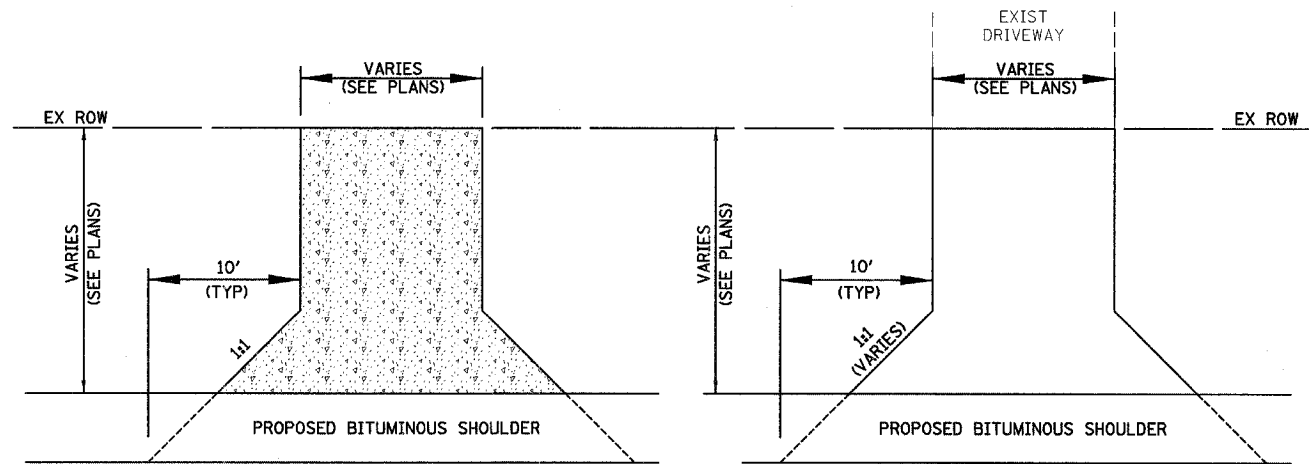


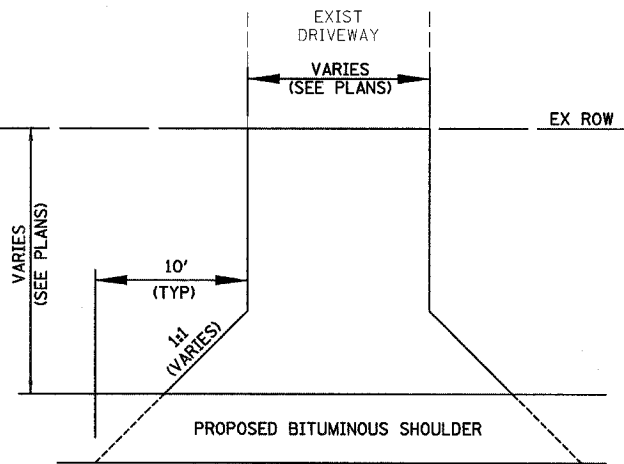
F.A.I. RTE.	SECTION	COUNTY	TOTAL SHEETS	SHEET NO.
80	32-3HBR-1	GRUNDY	88	68
STA.		TO STA.		
FED. ROAD DIST. NO.		ILLINOIS FED. AID PROJECT		



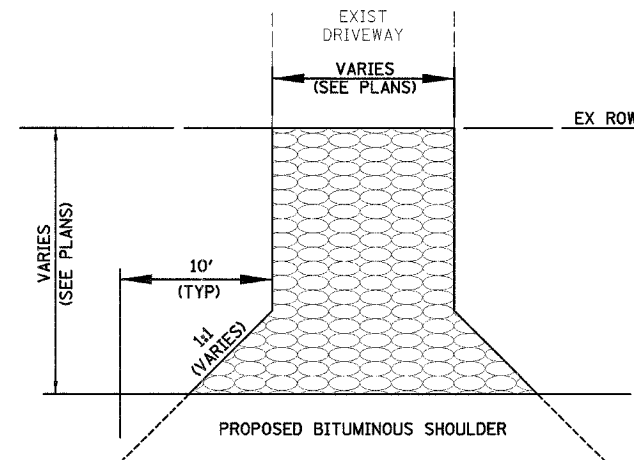
CONCRETE COLLAR DETAIL



PLAN VIEW  
PC CONCRETE DRIVEWAY -6"



PLAN VIEW  
PROPOSED BITUMINOUS  
DRIVEWAY -8"

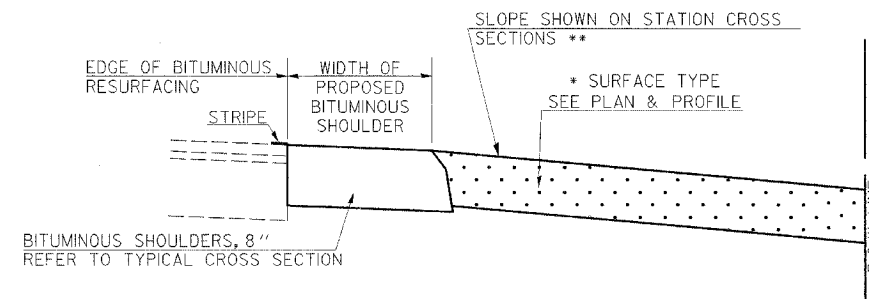


PLAN VIEW  
PROPOSED AGGREGATE  
DRIVEWAY -8"

**GENERAL NOTES**

1. THE EXISTING SURFACE SHALL BE PREPARED IN ACCORDANCE WITH SECTION 408 OF THE STANDARD SPECIFICATIONS.
2. ANY NECESSARY WORK BEHIND THE BITUMINOUS SHOULDER SHALL BE AS SHOWN IN THE PLANS AND/OR AS DIRECTED BY THE ENGINEER.
3. ENTRANCE SIDE SLOPES SHALL BE CONSTRUCTED TO 1:4 SLOPES, UNLESS OTHERWISE SHOWN.

\*\* MIN. SLOPE = 1%  
MAX. SLOPE = 12%



- AGGREGATE BASE COURSE, TYPE B - 8"
- INCIDENTAL BITUMINOUS 3"
- AGGREGATE BASE COURSE TYPE B, 6"
- PC CONCRETE DRIVEWAY - 6"

REVISIONS	
NAME	DATE

ILLINOIS DEPARTMENT OF TRANSPORTATION  
MISCELLANEOUS DETAILS  
F.A.I. 80 (I-80)  
SECTION 32-3HBR-1  
GRUNDY COUNTY

DATE: 09/09/05

DRAWN BY: JJO  
CHECKED BY: MSW