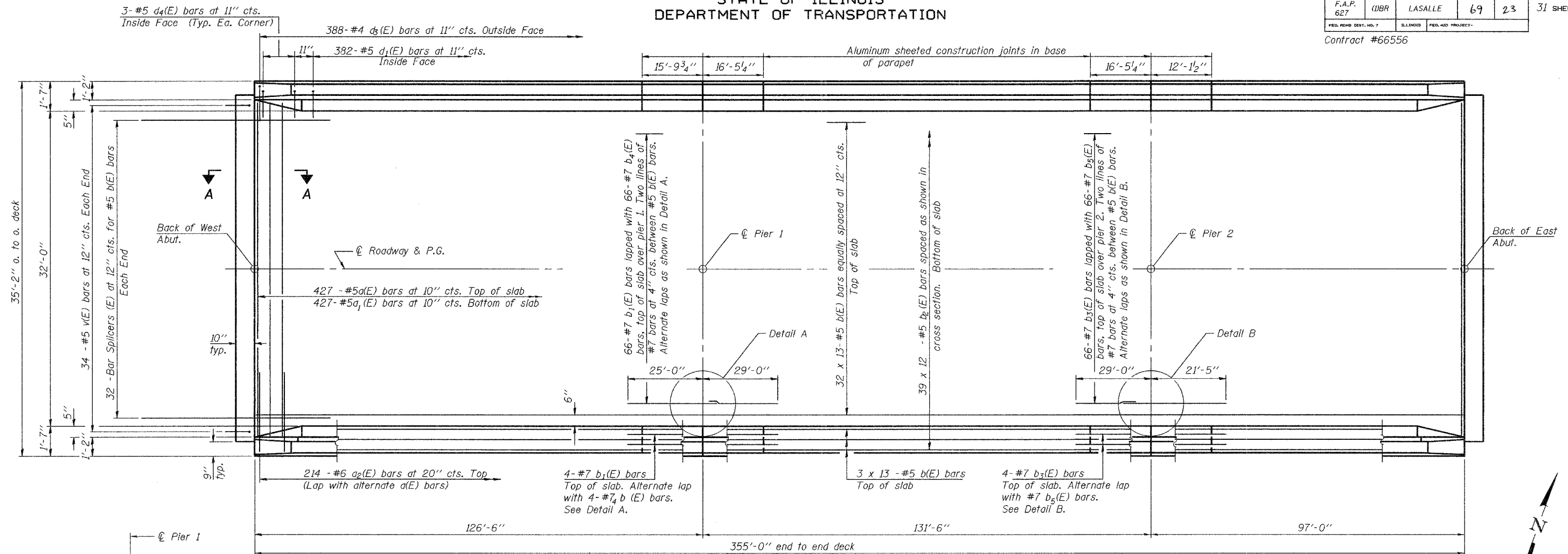
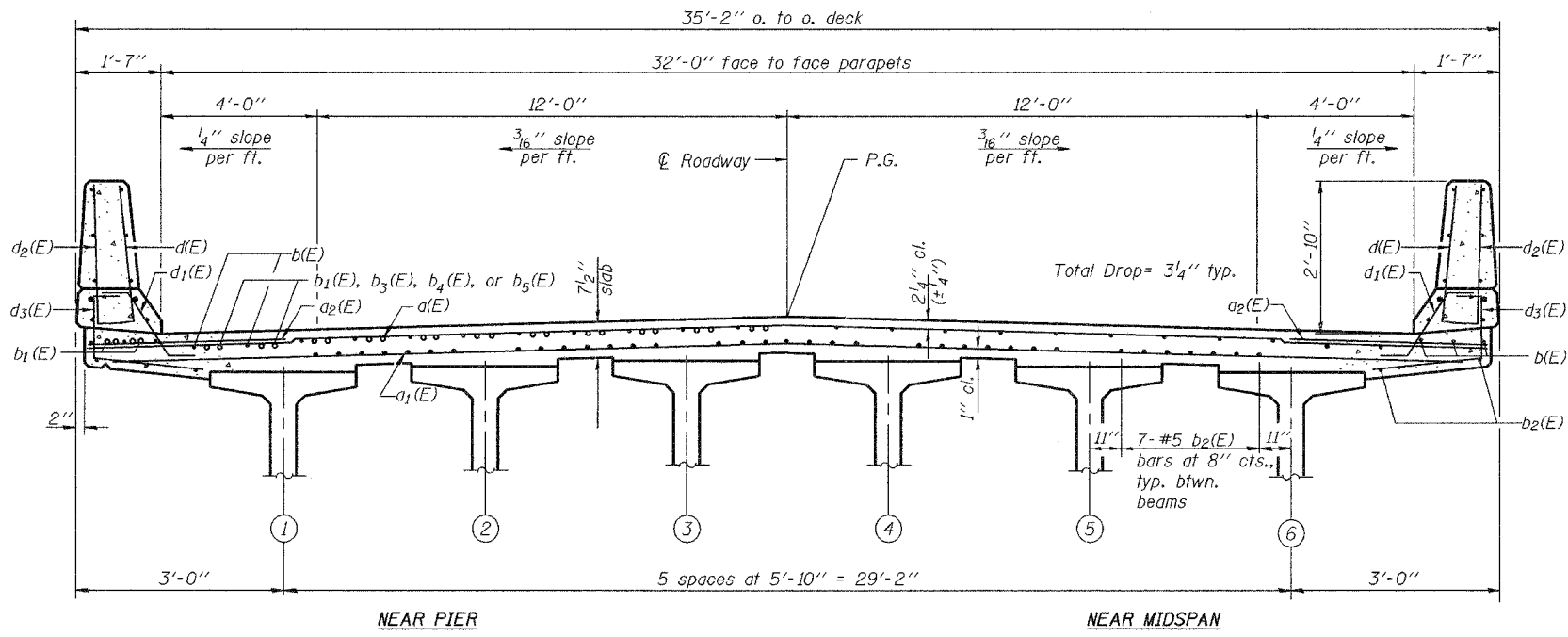
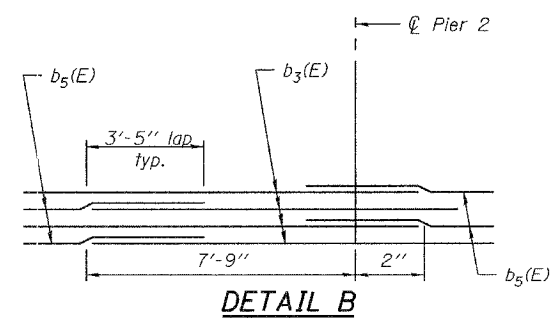
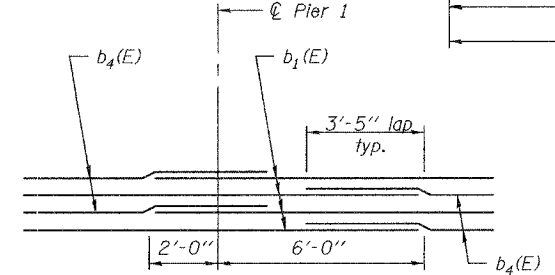


STATE OF ILLINOIS  
DEPARTMENT OF TRANSPORTATION

ROUTE NO.	SECTION	COUNTY	STATES	SHEET NO.	SHEET NO. 6 31 SHEETS
F.A.P. 627	(D)BR	LASALLE	69	23	
FED. ROAD DIST. NO. 7	ILLINOIS	FED. AID PROJECT	Contract #66556		



PLAN



CROSS SECTION  
(Looking East)

Notes:  
See sheet 7 of 31 for superstructure details and Bill of Material.  
For Section A-A see sheet 9 of 31.  
For diaphragm details see sheets 8 and 9 of 31.  
Reinforcement bars designated (E) shall be epoxy coated.  
Bars indicated thus 3 x 13-#5 etc. indicates 3 lines of bars with 13 lengths per line.  
See sheet 7 of 31 for parapet reinforcement.

**MINIMUM BAR LAP**  
(slab)  
#5 bar = 2'-2"  
#7 bar = 3'-5"

**SUPERSTRUCTURE**  
F.A.P. ROUTE 627 - SECTION (D)BR  
LASALLE COUNTY  
STATION 26+61.50  
STRUCTURE NO. 050-0242

DESIGNED	M.D.S.
CHECKED	S.M.R.
DRAWN	W.D.C.
CHECKED	M.D.S./S.M.R.

February 3, 2006  
EXAMINED *Thomas J. Donagalski*  
PASSED *Ralph E. Anderson*  
ENGINEER OF BRIDGES AND STRUCTURES