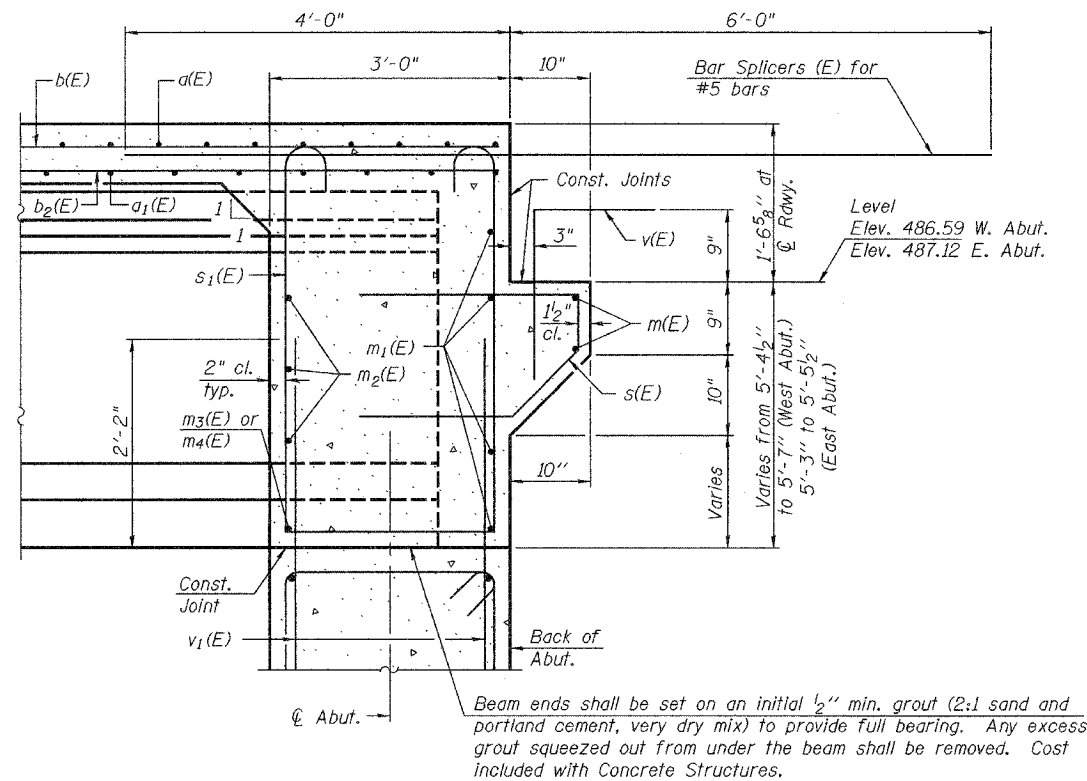


STATE OF ILLINOIS
DEPARTMENT OF TRANSPORTATION

ROUTE NO.	SECTION	COUNTY	SHEET NO.	SHEET NO.
F.A.P. 627	(1)BR	LASALLE	6A	26
FED. ROAD DIST. NO. 7	ILLINOIS	FED. AID PROJECT		

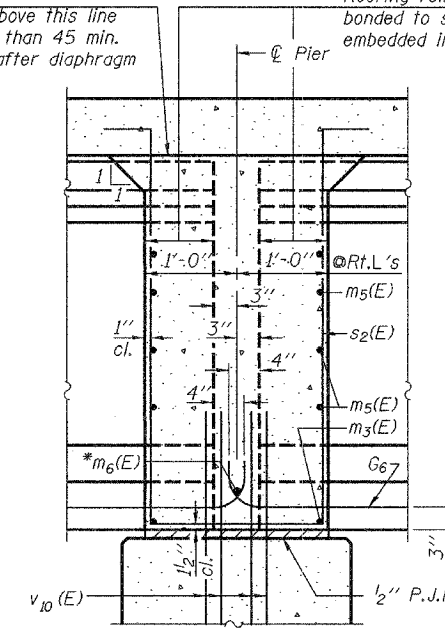
Contract #66556



SECTION A-A
Dimensions at right angles to abutment.

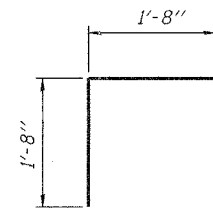
Pour diaphragm flush with bott. of slab. Concrete in slab above this line shall be placed not less than 45 min. nor more than 90 min. after diaphragm has been poured.

Roofing felt shall be bonded to side of beam embedded into diaphragm.



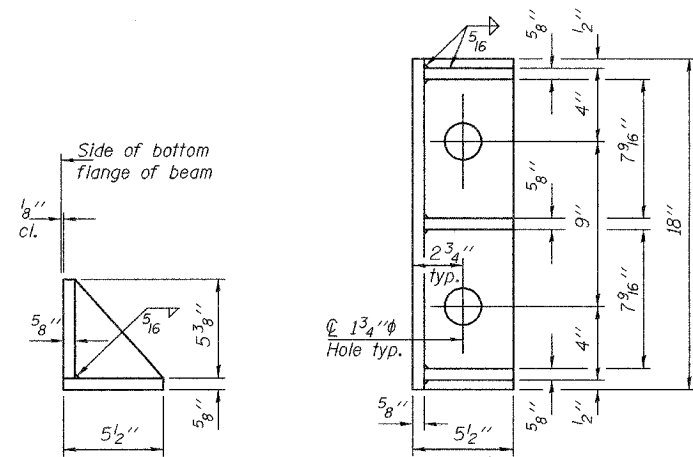
SECTION D-D
Dimensions along centerline of beam.

*Tightly fasten the #8 bars together with No. 9 wire ties.

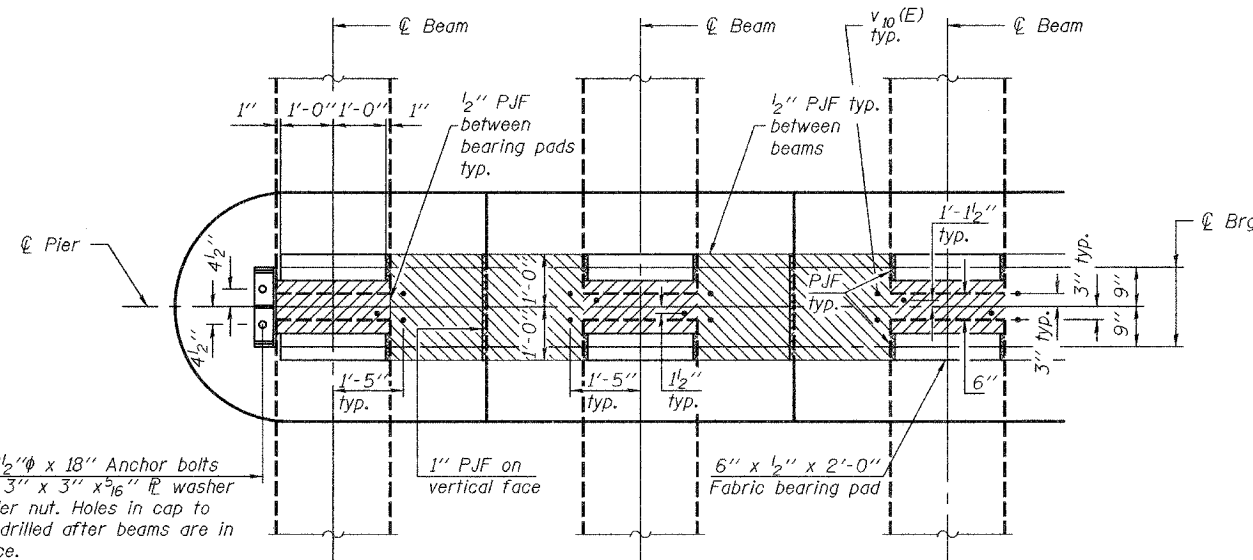


BAR v(E)

Beam ends shall be set on an initial 1/2" min. grout (2:1 sand and portland cement, very dry mix) to provide full bearing. Any excess grout squeezed out from under the beam shall be removed. Cost included with Concrete Structures.



SIDE RETAINER
(Equivalent rolled angle with stiffeners will be allowed in lieu of welded plates)



PLAN AT PIER
(Showing bearing pad and P.J.F. details)

Note:
See sheet 8 of 31 for location of Sections A-A and D-D.
For details of v₁₀(E) bars, see sheets 20 and 21 of 31.

DESIGNED	M.D.S.
CHECKED	S.M.R.
DRAWN	W.D.C.
CHECKED	M.D.S./S.M.R.

February 3, 2006
EXAMINED *Thomas J. Domagala*
PASSED *Ralph E. Anderson*
ENGINEER OF BRIDGE DESIGN
ENGINEER OF BRIDGES AND STRUCTURES

DIAPHRAGM DETAILS
F.A.P. ROUTE 627 - SECTION (1)BR
LASALLE COUNTY
STATION 26+61.50
STRUCTURE NO. 050-0242