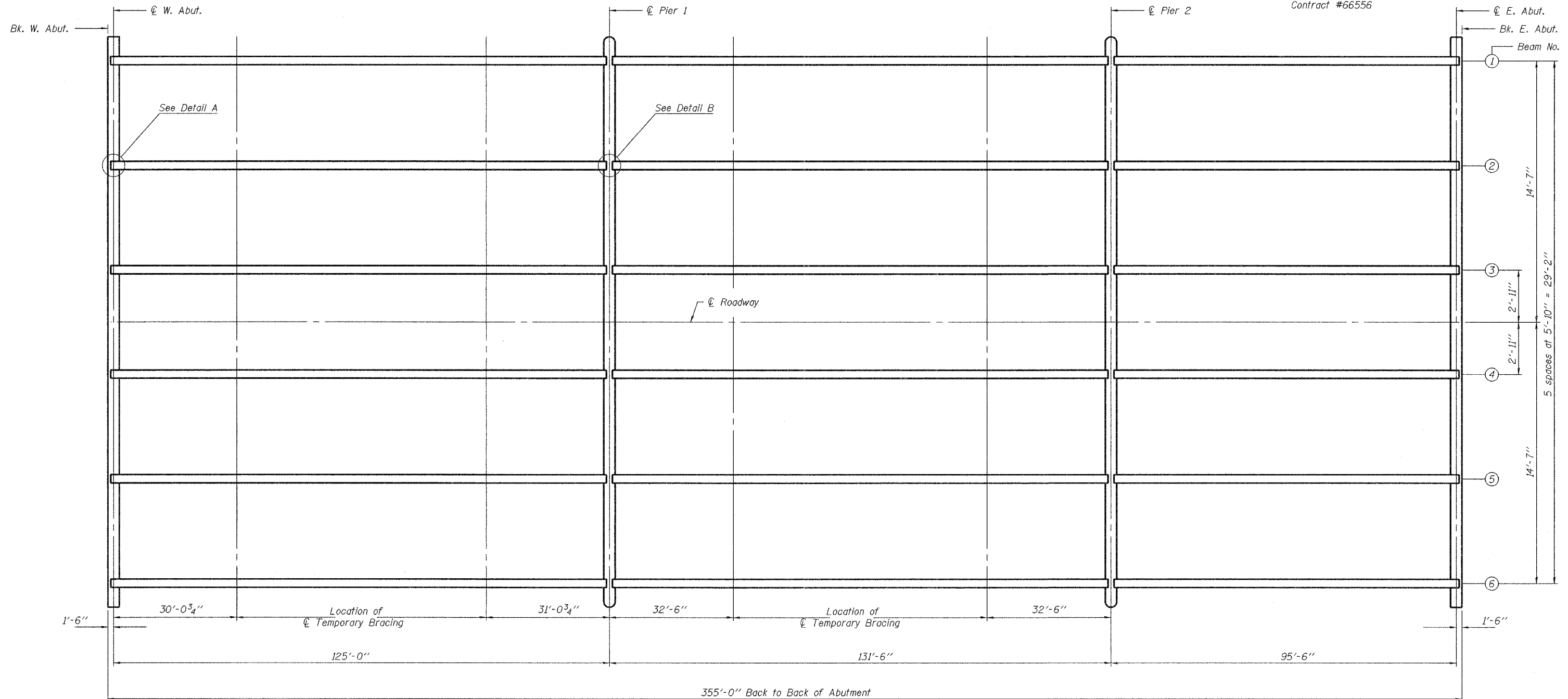


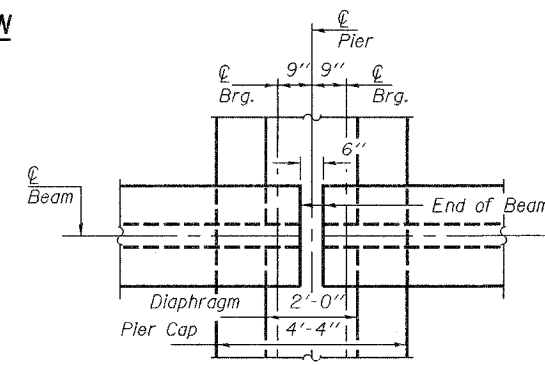
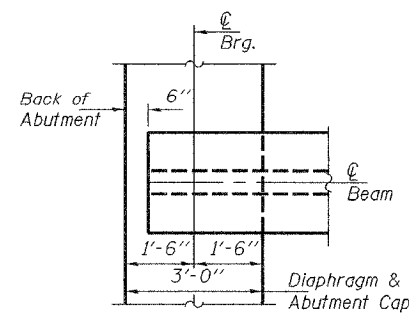
STATE OF ILLINOIS
DEPARTMENT OF TRANSPORTATION

ROUTE NO.	SECTION	COUNTY	TOTAL SHEETS	SHEET NO.	SHEET NO. 11
F.A.P. 627	(1)BR	LASALLE	69	28	31 SHEETS
FED. ROAD DIST. NO. 7	ILLINOIS	FED. AID PROJECT			

Contract #66556



PLAN



DESIGNED	M.D.S.
CHECKED	S.M.R.
DRAWN	W.D.C.
CHECKED	M.D.S./S.M.R.

February 3, 2006
EXAMINED *Thomas J. Domagala*
PASSED *Ralph E. Anderson*
ENGINEER OF BRIDGE DESIGN
ENGINEER OF BRIDGES AND STRUCTURES

FRAMING PLAN
F.A.P. ROUTE 627 - SECTION (1)BR
LASALLE COUNTY
STATION 26+61.50
STRUCTURE NO. 050-0242

