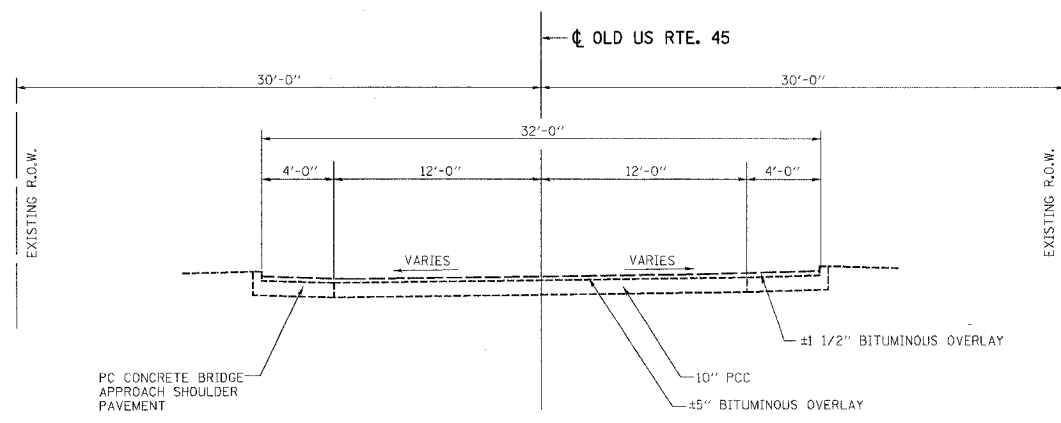
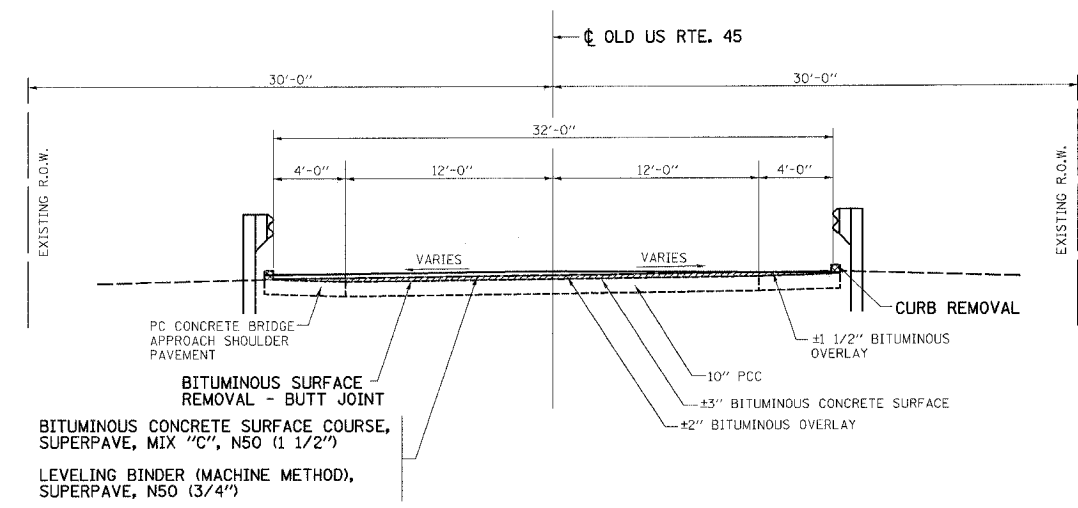


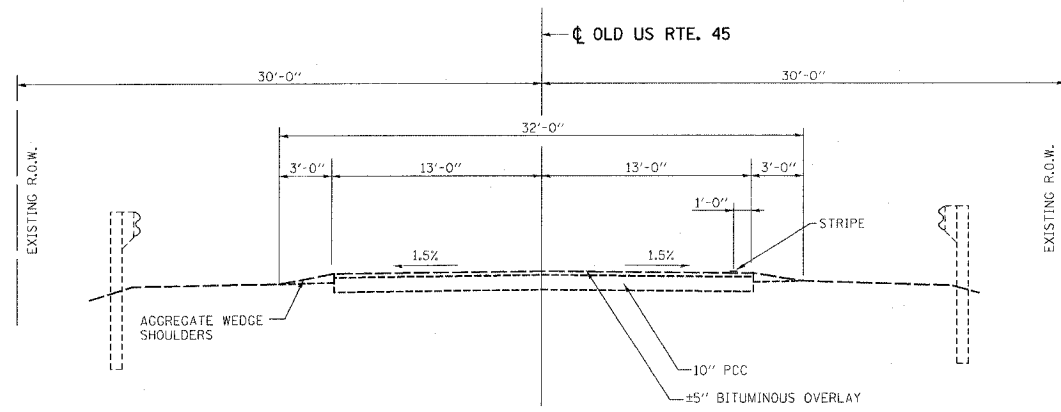
F.A.S. RTE.	SECTION	COUNTY	TOTAL SHEETS	SHEET NO.
1324	38 BR-1	IROQUOIS	29	4
STA.		TO STA.		
FED. ROAD DIST. NO.		ILLINOIS FED. AID PROJECT		



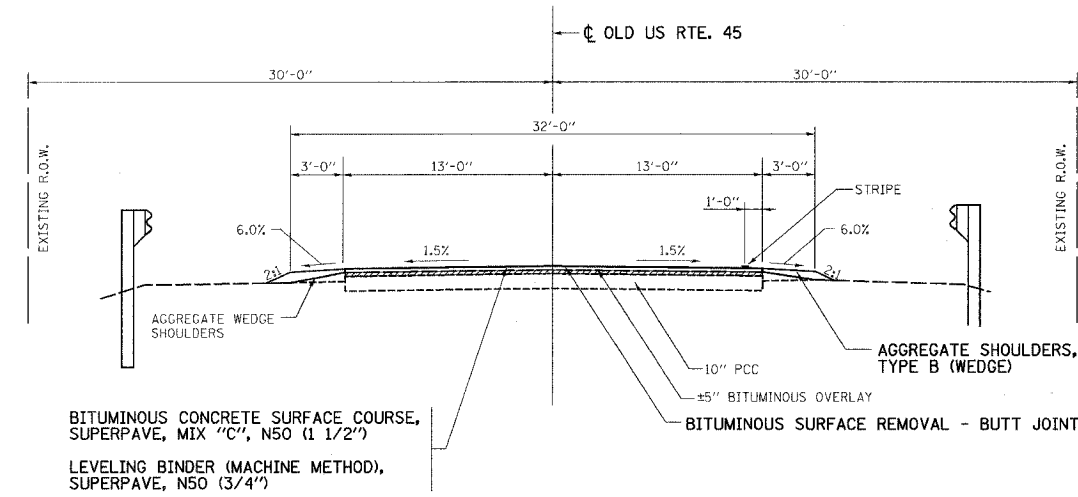
**EXISTING TYPICAL SECTION**  
 STA. 557+97.92 TO STA. 558+09.92  
 STA. 559+38.08 TO STA. 559+50.08



**PROPOSED TYPICAL SECTION**  
 STA. 557+97.92 TO STA. 558+09.92  
 STA. 558+09.92 TO STA. 559+38.08 BRIDGE OMISSION  
 STA. 559+38.08 TO STA. 559+50.08



**EXISTING TYPICAL SECTION**  
 STA. 557+09.92 TO STA. 557+97.92  
 STA. 559+50.08 TO STA. 560+38.08



**PROPOSED TYPICAL SECTION**  
 STA. 557+09.92 TO STA. 557+97.92  
 STA. 559+50.08 TO STA. 560+38.08

PLOT DATE = 12/9/2005  
 PLOT SCALE = 1/4" = 1'-0"  
 OPERATOR = redb

REVISIONS	
NAME	DATE

ILLINOIS DEPARTMENT OF TRANSPORTATION

**TYPICAL SECTIONS**  
 FAS 1324 (OLD US RTE. 45)  
 SECTION 38 BR-1  
 IROQUOIS COUNTY

SCALE: VERT. \_\_\_\_\_  
 HORIZ. \_\_\_\_\_

DATE \_\_\_\_\_

DRAWN BY HEBERLING  
 CHECKED BY BOTT

COMPUTER FILE NO. 03236\_TYP  
 PROJECT 03236 W010  
 11/17/05-MDS

GREENE & BRADFORD, INC.  
 CONSULTING ENGINEERS  
 1111 S. WASHINGTON ST., SUITE 200  
 DEERFIELD, ILL. 60015  
 (708) 424-1100 FAX (708) 424-1101  
 WWW.GREENE-AND-BRADFORD.COM

**TYPICAL SECTIONS**