

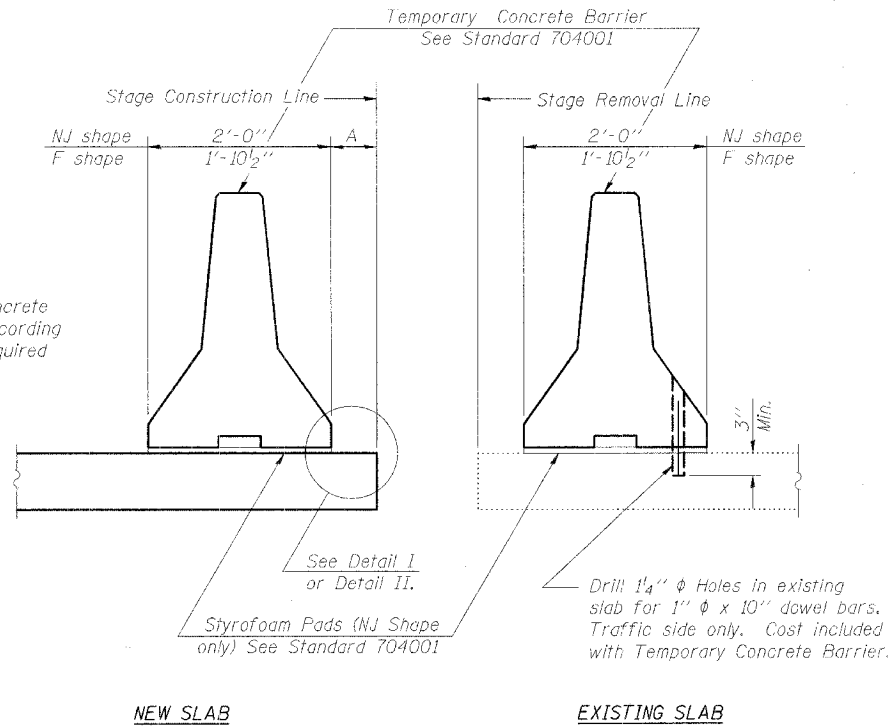
STATE OF ILLINOIS  
DEPARTMENT OF TRANSPORTATION

ROUTE NO.	SECTION	COUNTY	SHEETS	SHEET NO.
FAP 68	105 BR-1	LIVINGSTON	45	14
FED. ROAD DIST. NO.	ILLINOIS	FED. AID PROJECT		

Contract #66566

SHEET NO. 3  
14 SHEETS

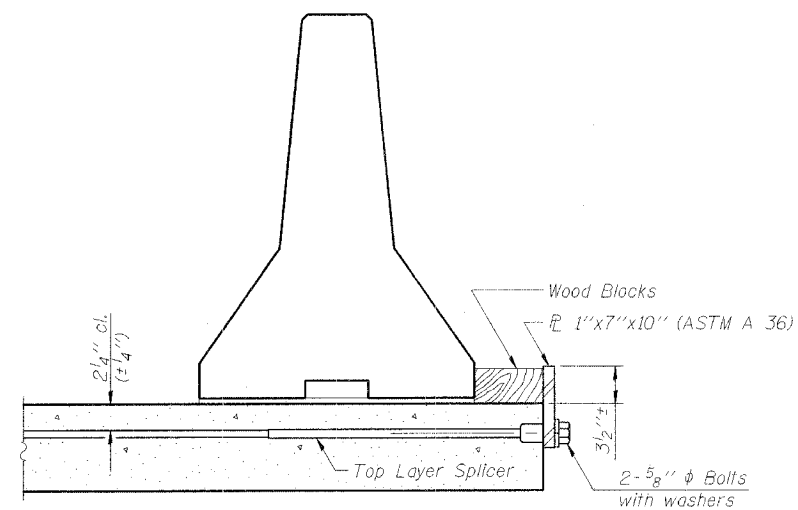
When "A" is 3'-6" or less, the temporary concrete barrier shall be anchored to the new slab according to Detail I or Detail II. No anchorage is required when "A" is greater than 3'-6".



SECTIONS THRU SLAB

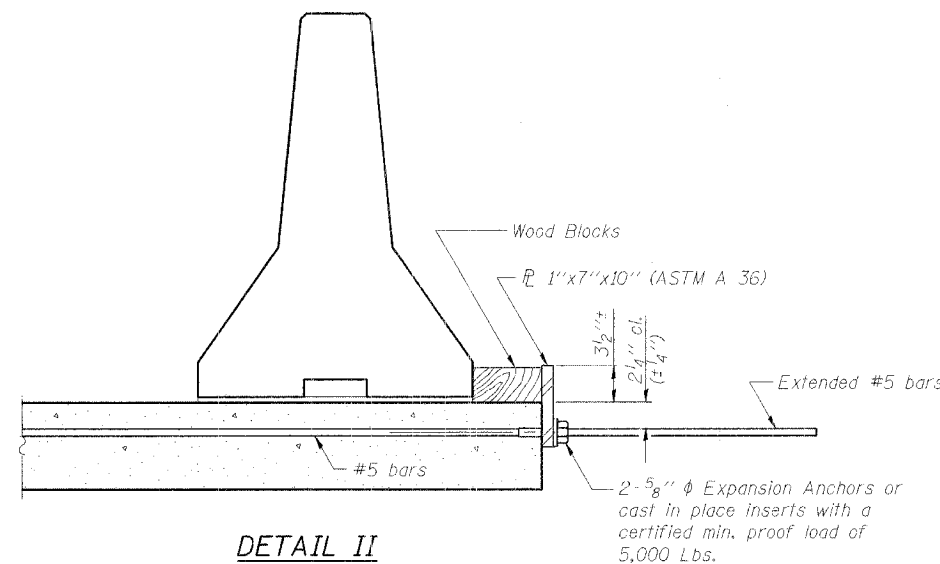
NOTES

- Detail I - With Bar Splicer or Couplers:  
Connect one (1) 1"x7"x10" steel  $\bar{L}$  to the top layer of couplers with 2-5/8"  $\phi$  bolts screwed to coupler at approximate  $\bar{C}$  of each barrier panel.
- Detail II - With Extended Reinforcement Bars:  
Connect one (1) 1"x7"x10" steel  $\bar{L}$  to the concrete slab with 2-5/8"  $\phi$  Expansion Anchors or cast in place inserts spaced between the top layer of reinforcement at approximate  $\bar{C}$  of each barrier panel.
- Cost of anchorage is included with Temporary Concrete Barrier.



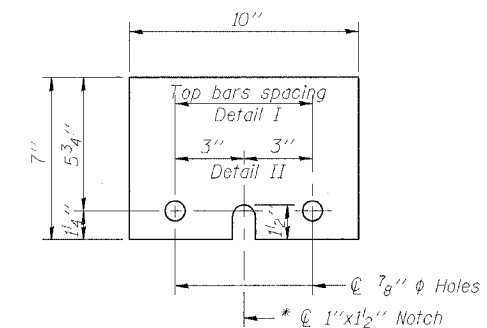
DETAIL I

The 1"x7"x10" Plate shall not be removed until Stage II Construction forms and reinforcement bars are in place.



DETAIL II

The 1"x7"x10" Plate shall not be removed until Stage II Construction forms and all reinforcement bars are in place and the concrete is ready to be placed.



1"x7"x10"

\* Required only with Detail II

REVISIONS	
NAME	DATE

ILLINOIS DEPARTMENT OF TRANSPORTATION  
**TEMPORARY CONCRETE BARRIER FOR STAGE CONSTRUCTION**

FAP RTE 68 (IL 23) OVER WOLF CREEK  
SECTION 105 BR-1  
LIVINGSTON COUNTY  
STATION 586+62  
S.N. 053-0148

SCALE: VERT.  
SCALE: HORIZ.  
DATE: 9/6/05

DRAWN BY: LANDREY  
DESIGNED BY: SANFORD  
CHECKED BY: TRELLO

GREENE & BRADFORD, INC.  
OF SPRINGFIELD  
CONSULTING ENGINEERS  
PROFESSIONAL DESIGN FIRM AND ARCHITECTS  
PROFESSIONAL & TECHNICAL PERSONNEL ORGANIZATION  
1217 1/2 S. 4th St., Springfield, IL 62761-1000  
TEL: 782-8844 FAX: 782-8227

COMPUTER FILE NO.  
SN053-0148.TCB  
PROJECT 03236 WO-11  
12/16/05-MML

FILE NAME = I:\03236\work\drawings\sn053-0148\SN053-0148\_TCB.dgn  
PLOT DATE = 12/16/2005  
PLOT TIME = 10:41:25 AM  
OPERATOR = michellel

R-27

10-22-04