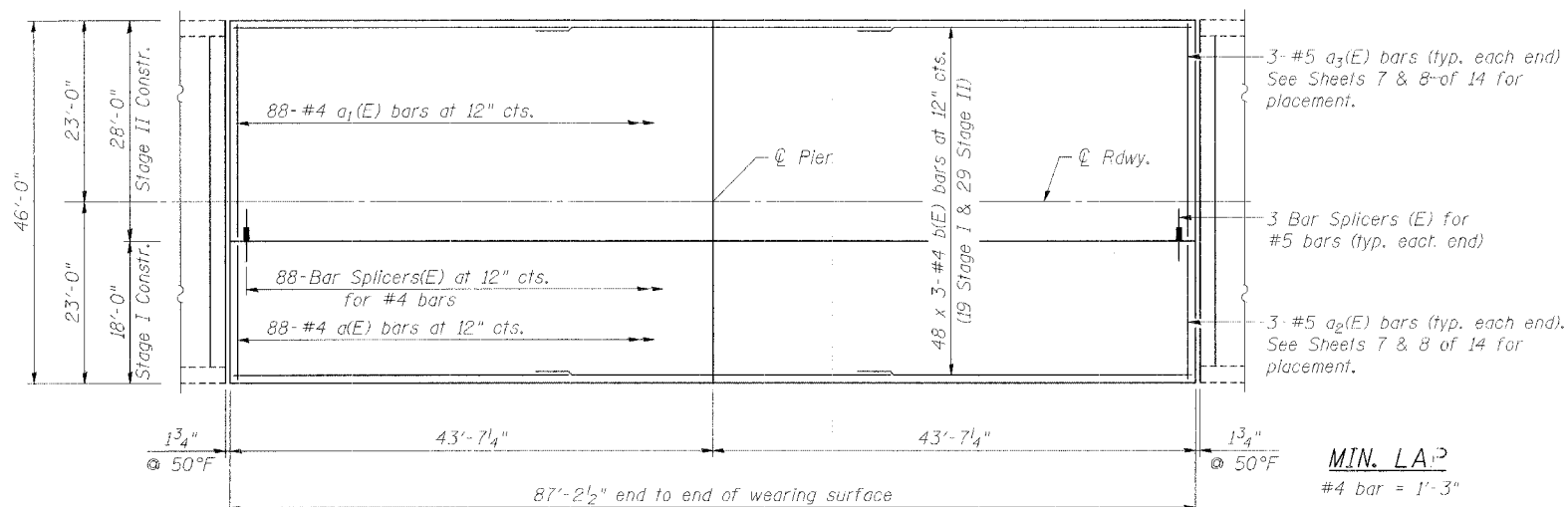


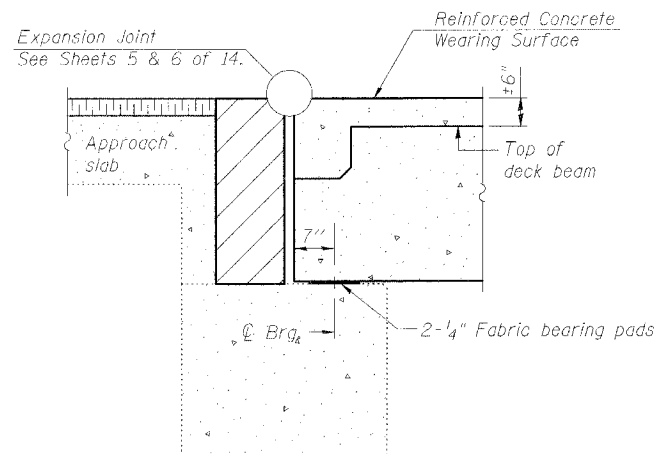
STATE OF ILLINOIS
DEPARTMENT OF TRANSPORTATION

ROUTE NO. FAP 68	SECTION 105 BR-1	COUNTY LIVINGSTON	TOTAL SHEETS 45	SHEET NO. 15	SHEET NO. 4 14 SHEETS
FED. ROAD DIST. NO.		ILLINOIS		FED. AID PROJECT	

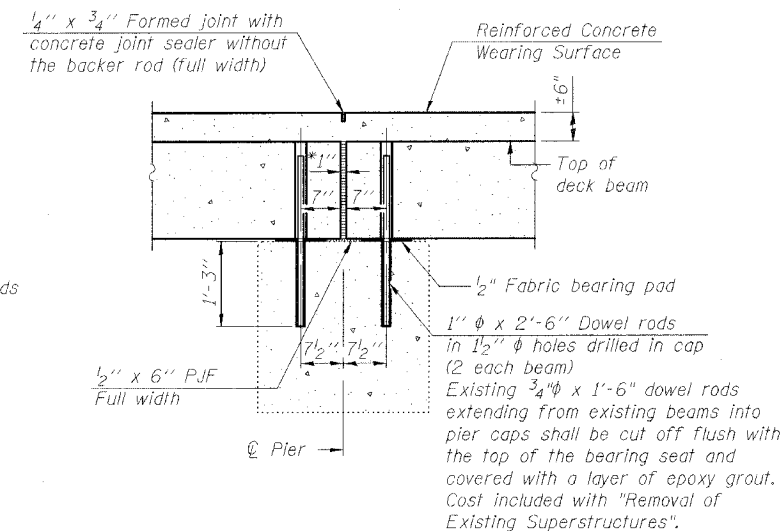
Contract #66566



REINFORCED CONCRETE WEARING SURFACE PLAN



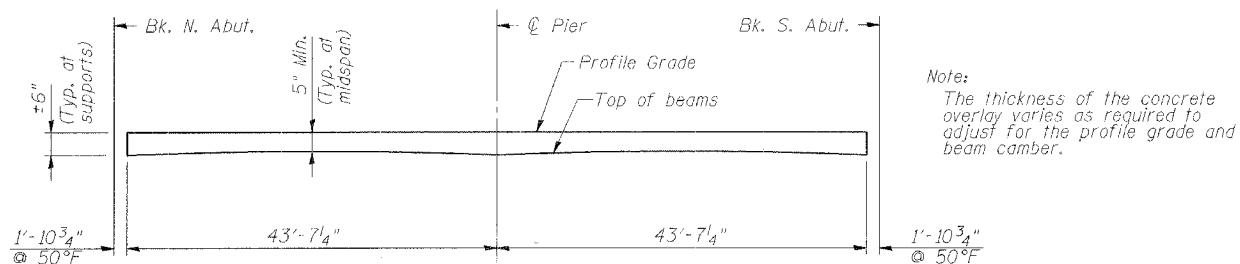
SECTION THRU ABUTMENTS



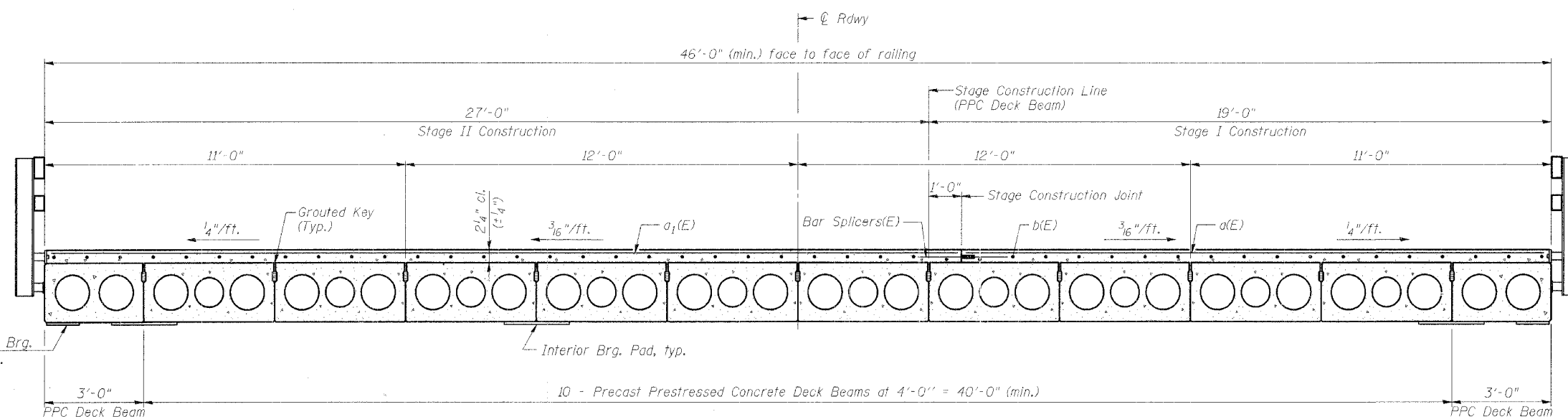
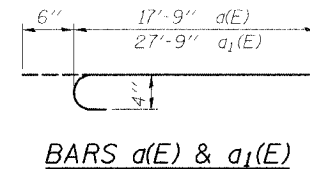
SECTION THRU FIXED PIER

Notes:
Hatched area to be poured after concrete wearing surface is in place.
See sheets 7 of 14 for bearing pad details.
For approach slab grade adjustment, see Roadway Plans.
After beams have been erected, holes shall be drilled into pier cap and anchor dowels placed. Dowel holes shall be filled with non-shrink grout to top of beam and allowed to cure 24 hrs. prior to grouting the shear keys.

*1\"/>



REINFORCED CONCRETE WEARING SURFACE PROFILE



CROSS SECTION

BILL OF MATERIAL

Bar	No.	Size	Length	Shape
a(E)	88	#4	18'-3"	U
a1(E)	88	#4	28'-3"	U
a2(E)	6	#5	17'-9"	—
a3(E)	6	#5	27'-9"	—
b(E)	144	#4	29'-10"	—
Concrete Wearing Surface, 5"				Sq. Yd. 446
Reinforcement Bars (Epoxy Coated)				Pound 5890

ILLINOIS DEPARTMENT OF TRANSPORTATION
SUPERSTRUCTURE DETAILS

FAP RTE 68 (IL 23) OVER WOLF CREEK
SECTION 105 BR-1
LIVINGSTON COUNTY
STATION 586+62
S.N. 053-0148

SCALE: VERT. _____
HORIZ. _____
DATE: 9/6/05

DRAWN BY: LANDREY
DESIGNED BY: SANFORD
CHECKED BY: TRELLO

COMPUTER FILE NO.
SN053-0148.SS1
PROJECT 03236 WO-11
12/16/05-MML

REVISIONS	
NAME	DATE

GREENE & BRADFORD, INC.
OF SPRINGFIELD
REGISTERED PROFESSIONAL ENGINEERS
PROFESSIONAL DESIGN FIRM NO. 0438
1215 S. 11TH ST., SPRINGFIELD, ILL. 62761
TEL: 618-684-1200 FAX: 618-684-1201

FILE NAME = I:\03236\wo11\dr\dwg\sn053-0148\SN053-0148.SS1.cgn
PLOT SCALE = 0:10000.0
PLOT TIME = 12/16/05 11:01 AM
OPERATOR = mitchell