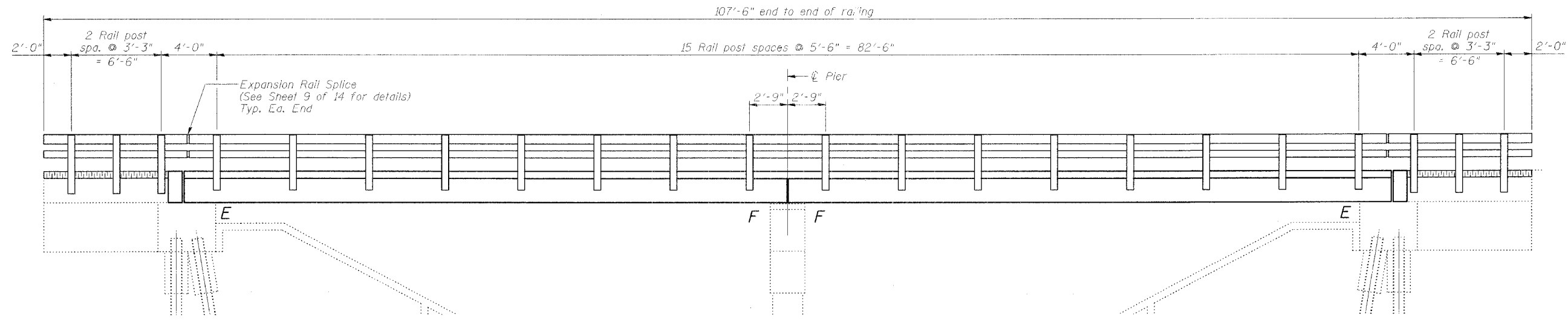
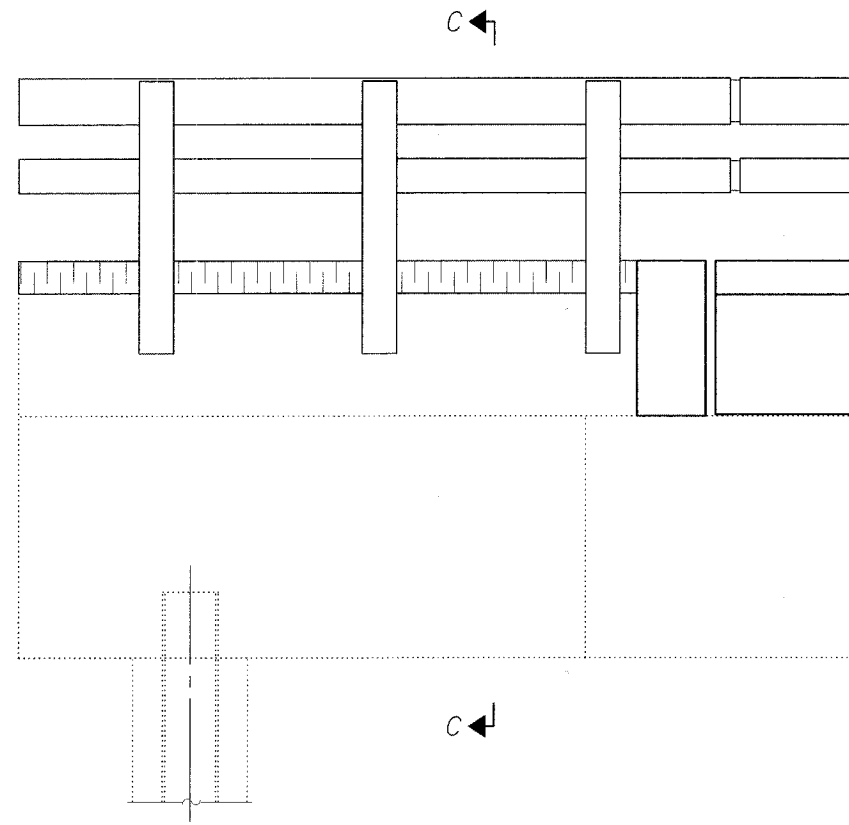


STATE OF ILLINOIS
DEPARTMENT OF TRANSPORTATION

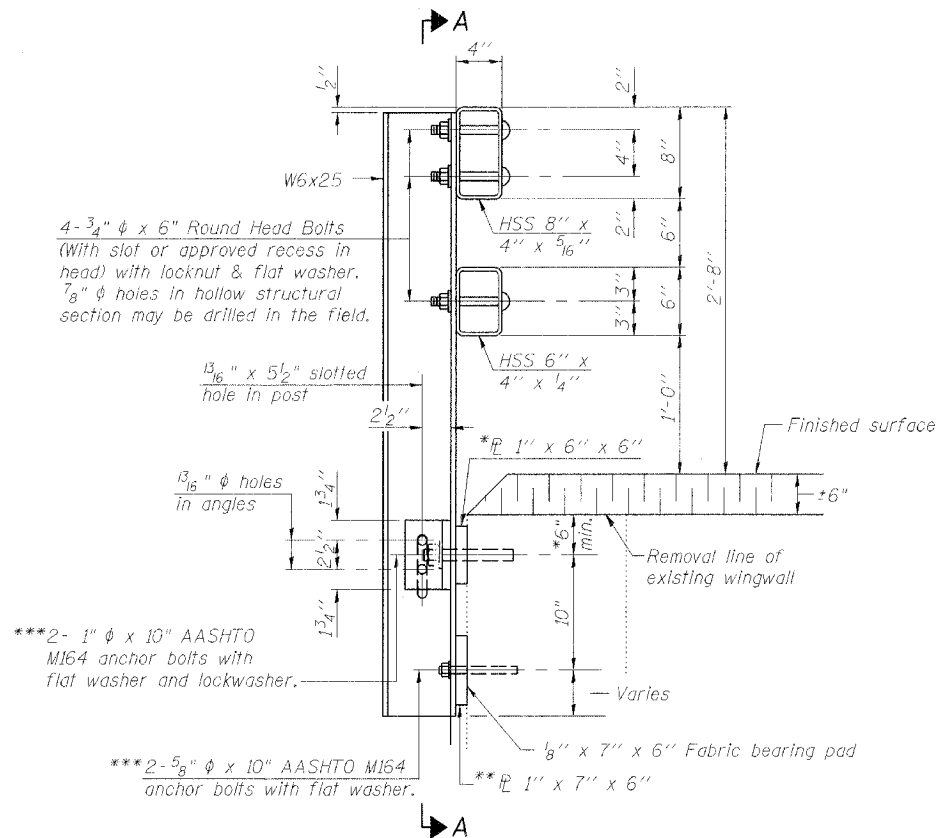
ROUTE NO.	SECTION	COUNTY	TOTAL SHEETS	SHEET NO.	SHEET NO. 10 14 SHEETS
FAP 68	105 BR-1	LIVINGSTON	45	21	
FED. ROAD DIST. NO.	ILLINOIS	FED. AID PROJECT	Contract #66566		



ELEVATION



WINGWALL ELEVATION



SECTION AT RAIL POST

Note:
For Section A-A, see Sheet 9 of 14.
Work this sheet with Sheet 9 of 14.

- *W6x25 rail posts may need to be longer than posts attached to deck beams to ensure minimum dimension.
- **Provide steel shim plates as required to ensure face of rails are flush with rail on deck beams. Cost included with "Steel Bridge Rail, Type SM".
- ***Drill and epoxy grout in accordance with Article 584 of the Standard Specs. Cost included in Steel Bridge Rail, Type SM.

REVISIONS	
NAME	DATE

ILLINOIS DEPARTMENT OF TRANSPORTATION

RAIL DETAILS

FAP RTE 68 (IL 23) OVER WOLF CREEK
SECTION 105 BR-1
LIVINGSTON COUNTY
STATION 586+62
S.N. 053-0148

SCALE: VERT. _____
HORIZ. _____
DATE: 9/6/05

DRAWN BY: LANDREY
DESIGNED BY: SANFORD
CHECKED BY: TRELLO

COMPUTER FILE NO.
SN053-0148_RLD

PROJECT 03236 WO-11
12/16/05-MML

GREENE & BRADFORD, INC.
OF SPRINGFIELD

REGISTERED PROFESSIONAL ENGINEERS
ILLINOIS LICENSE NO. 021-00000000
PROFESSIONAL ENGINEER - CIVIL
1871 N.E. 88th, SUITE 700, OKLAHOMA CITY, OKLA. 73120-7000
www.greenes.com

FILE NAME = I:\02266\work\drawings\sn053-0148\SN053-0148_RLD.dgn
PLOT DATE = 12/16/2005
PLOT TIME = 10:41 AM
OPERATOR = michelle