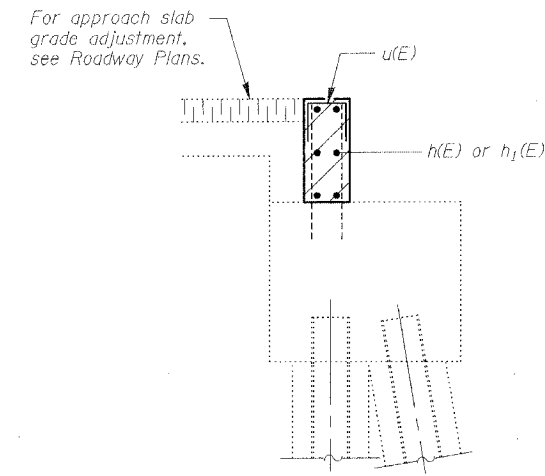
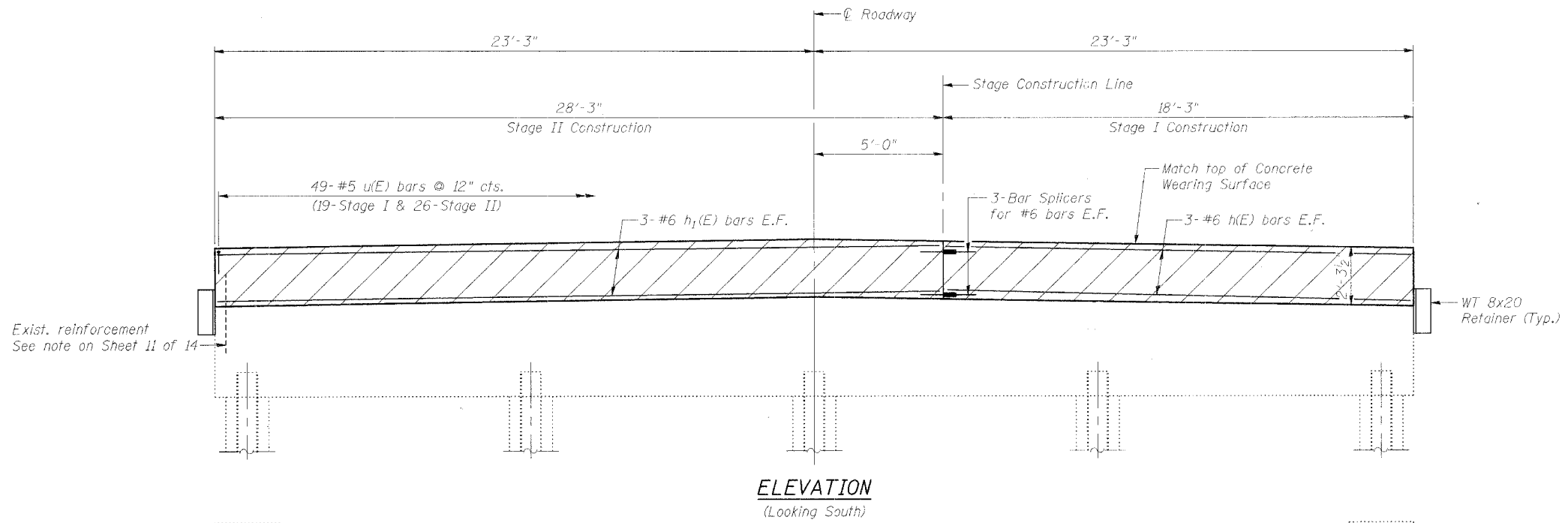


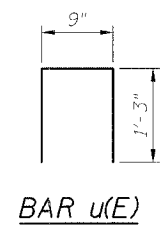
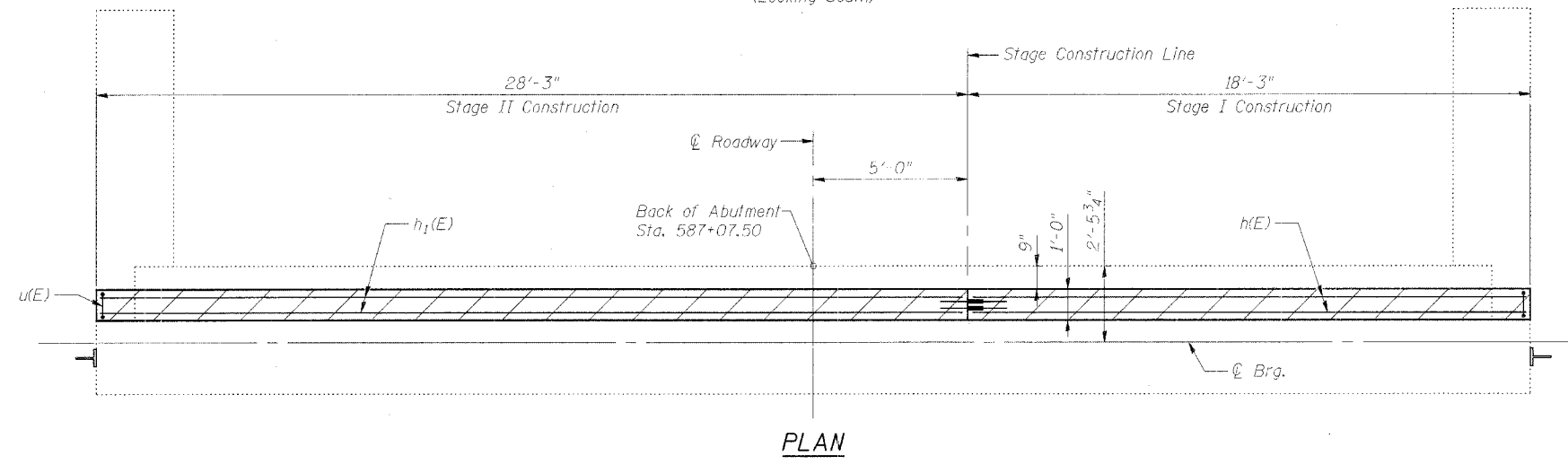
STATE OF ILLINOIS
DEPARTMENT OF TRANSPORTATION

ROUTE NO.	SECTION	COUNTY	TOTAL SHEETS	SHEET NO.	SHEET NO. 13
FAP 68	105 BR-1	LIVINGSTON	45	24	14 SHEETS
FED. ROAD DIST. NO.	ILLINOIS	FED. AID PROJECT			

Contract #66566



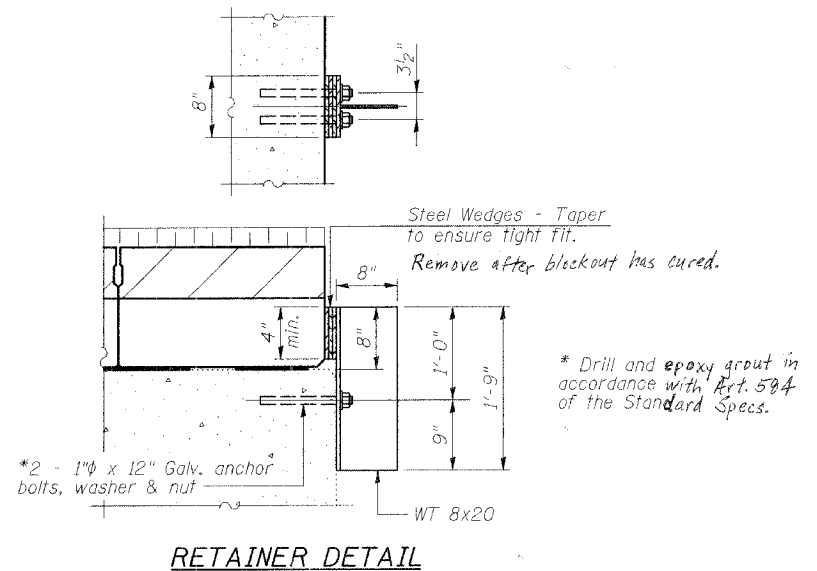
SECTION THRU ABUTMENT



BILL OF MATERIAL
ONE ABUTMENT

Bar	No.	Size	Length	Shape
h(E)	6	#6	18'-0"	—
h ₁ (E)	6	#6	28'-0"	—
u(E)	49	#5	3'-3"	□
Concrete Structures			Cu. Yd.	3.7
Reinforcement Bars, Epoxy Coated			Pound	18.30
Concrete Removal			Cu. Yd.	5.5

Reinforcement designated (E) shall be epoxy coated.



ILLINOIS DEPARTMENT OF TRANSPORTATION

SOUTH ABUTMENT

FAP RTE 68 (IL 23) OVER WOLF CREEK
SECTION 105 BR-1
LIVINGSTON COUNTY
STATION 586+62
S.N. 053-0148

DRAWN BY: LANDREY
DESIGNED BY: SANFORD
CHECKED BY: TRELLO

COMPUTER FILE NO.
SN053-0148.SAB
PROJECT 03236 WO-11
12/16/05-MML

REVISIONS	
NAME	DATE

SCALE: VERT. DATE: 9/6/05

GREENE & BRADFORD, INC.
OF SPRINGFIELD

PROFESSIONAL ENGINEER
No. 021-000000-0000

FILE NAME = F:\03236\work\drawings\subcontract\0148\0148_SAB.dgn
PLOT SCALE = 0:10000
PLOT DATE = 12/16/2005
PLOT TIME = 10:41:43 AM
OPERATOR = mitchell