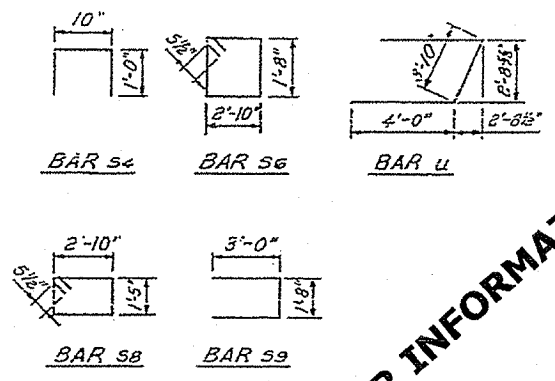
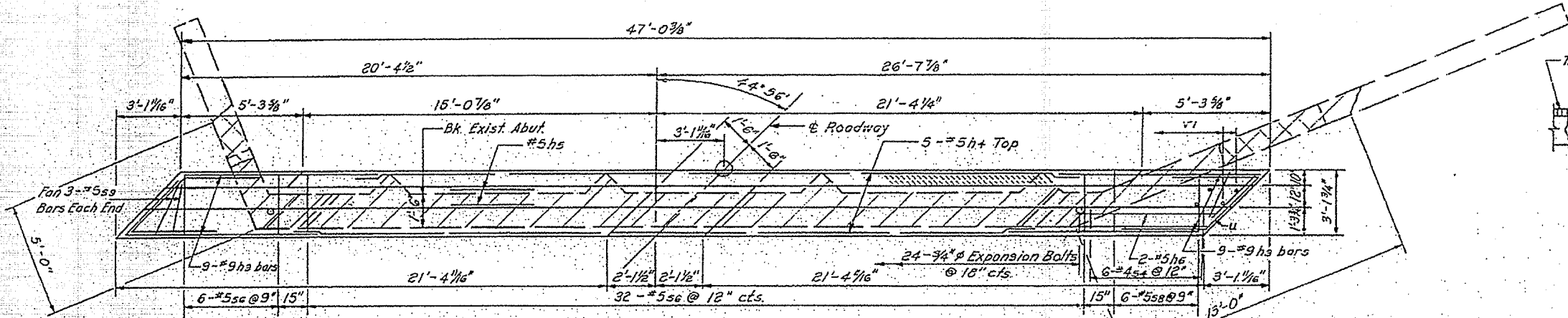


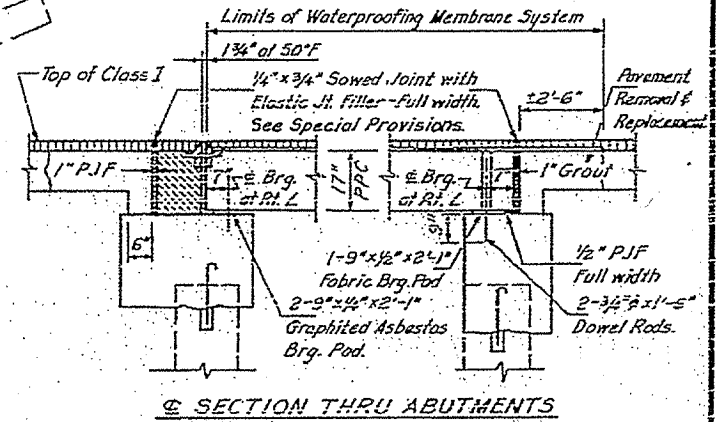
ELEVATION



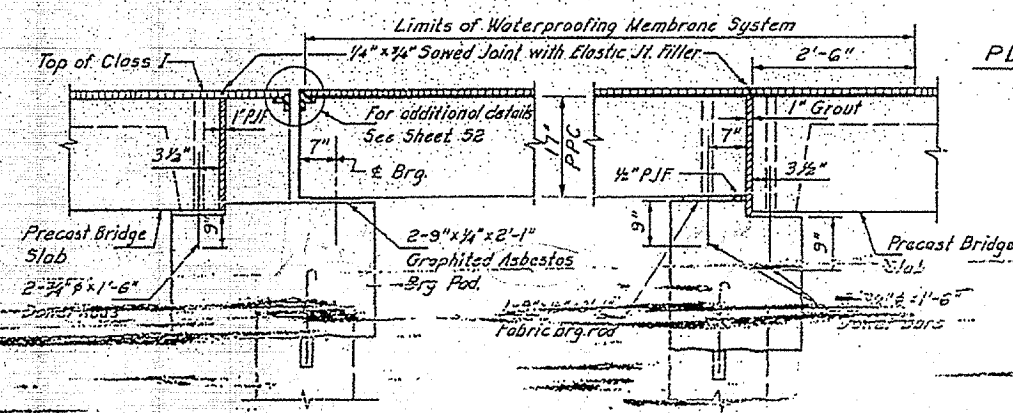
FOR INFORMATION ONLY



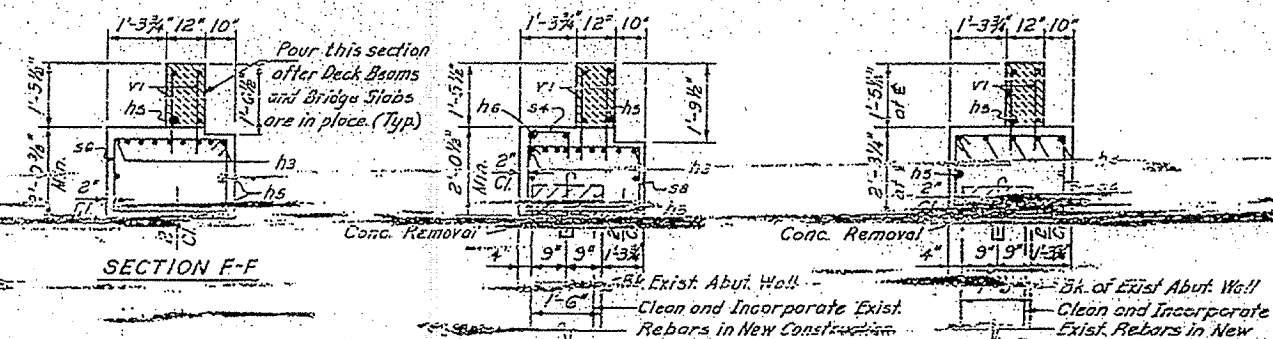
PLAN



SECTION THRU ABUTMENTS



SECTION THRU ABUTMENTS AT OUTSIDE BEAM (Looking South)



SECTION F-F

SECTION A-A

SECTION B-B

BILL OF MATERIAL

Bar No.	Size	Length	Shape
h3	#3	8'-6"	
h4	#5	32'-0"	
h5	#5	23'-10"	
h6	#5	6'-3"	
vi	#5	2'-6"	
s4	#4	2'-10"	
s5	#3	5'-0"	
s8	#5	9'-5"	
s9	#5	7'-6"	
Expansion Bolts 3/4" Dia. Each - 64			
Class X Concrete Cu. Yd. 14.6			
Reinforcement Bars Lbs. 2620			
Concrete Removal Cu. Yds. 4			

DESIGNED G. P. Kogut
 CHECKED J. M. Bubo
 DRAWN G. A. Sebastian
 CHECKED G. P. Kogut

REVISIONS	
Name	Date

STATE OF ILLINOIS
 DEPARTMENT OF TRANSPORTATION
EAST ABUTMENT
 S.B.I. RTE. 9 OVER MONEY CREEK
 SECTION 22 BR
 MCLEAN COUNTY

Scale: As Shown
 Date: Jan. 1976
 Drawn By: [Blank]
 Checked By: [Blank]

KROEGER, BEHNER, STONE & ASSOCIATES, INC.
 Consulting Engineers - Chicago, Illinois