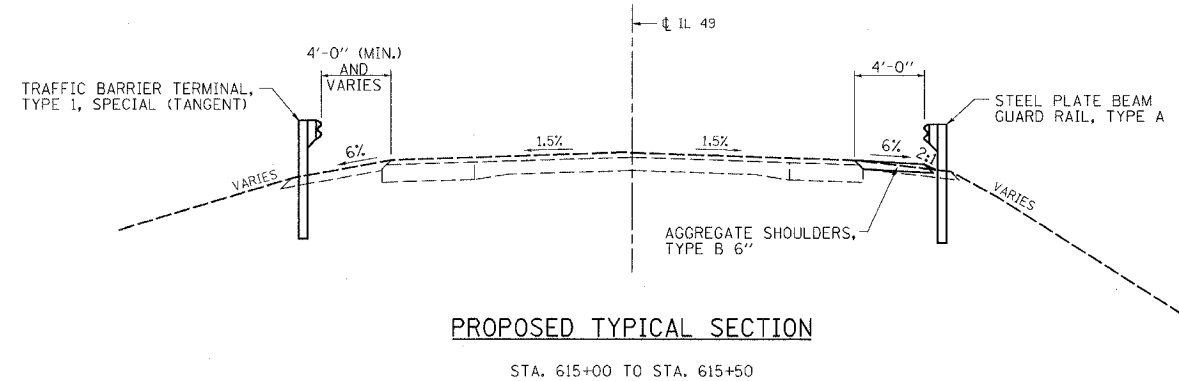
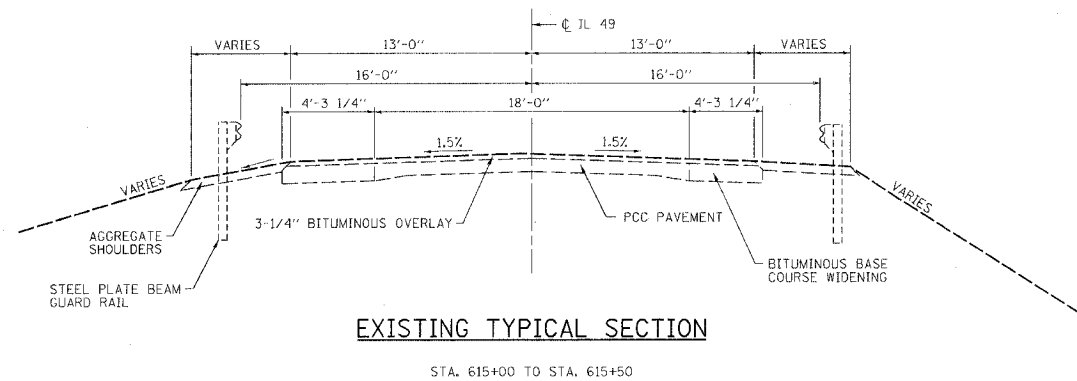
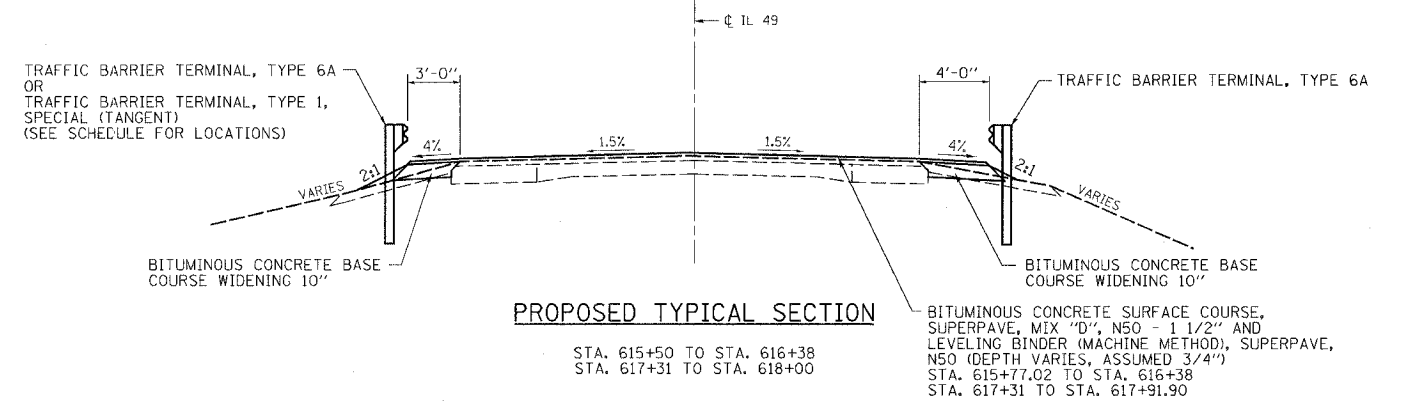
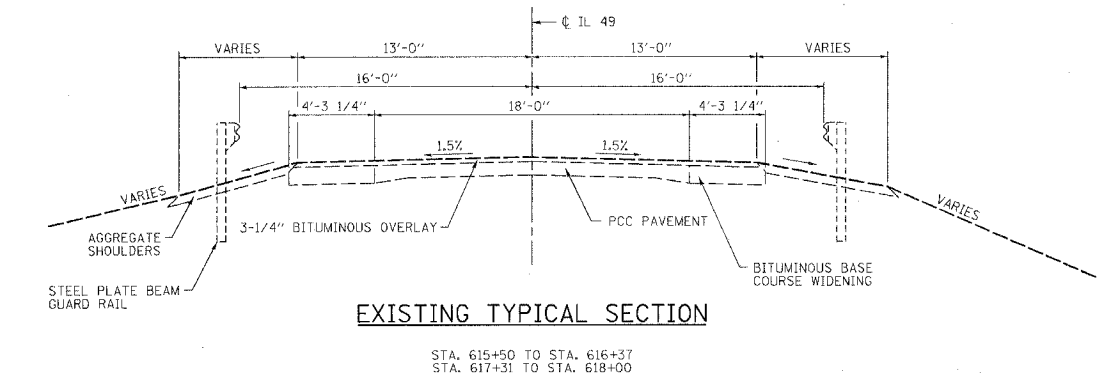
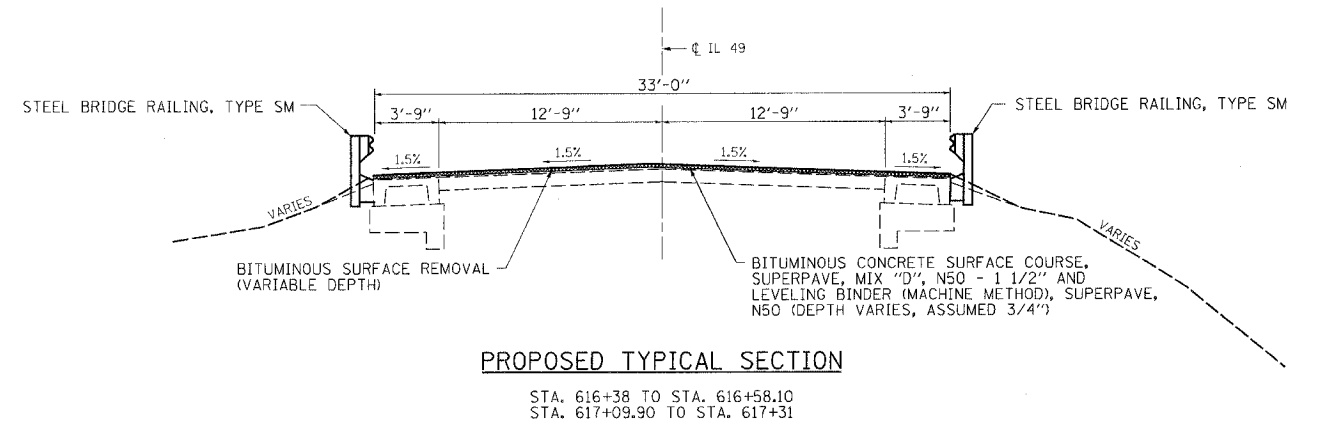
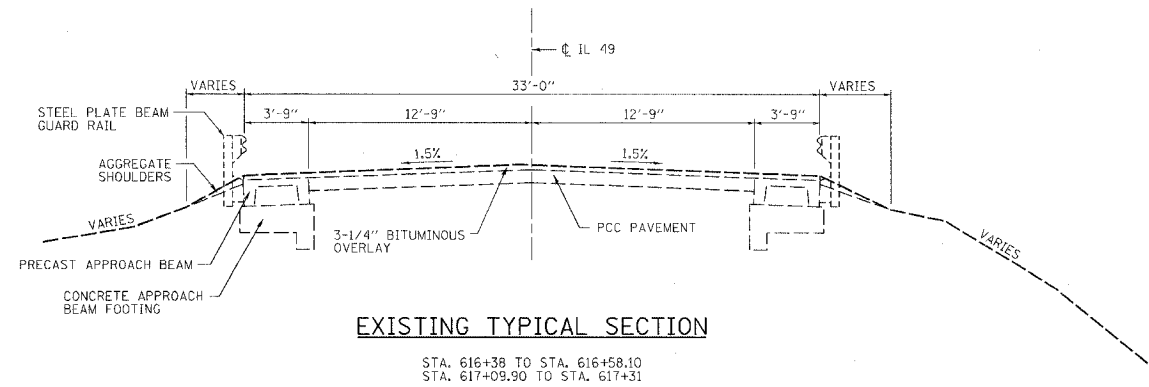


F.A.P. RTE.	SECTION	COUNTY	TOTAL SHEETS	SHEET NO.
840	136 BR-1	IROQUOIS	45	4
STA.	TO STA.			
FED. ROAD DIST. NO.	ILLINOIS	FED. AID PROJECT		



PLOT DATE = 12/21/2005
 FILE NAME = I:\03236\03236\12\Drawings\TypW012.dgn
 PLOT SCALE = 50.00000 / 1 IN.
 REFERENCE = REF
 OPERATOR = m.m.h.1141

REVISIONS	
NAME	DATE

ILLINOIS DEPARTMENT OF TRANSPORTATION
TYPICAL SECTIONS
 FAS 840 (IL RTE 49)
 OVER SHAVETAILE CREEK
 SEC. 136 BR-1
 IROQUOIS COUNTY

SCALE: VERT. DATE 11/01/05
 HORIZ. DATE 11/01/05

DRAWN BY SUTHEARD
 CHECKED BY BOTT

GREENE & BRADFORD, INC.
 OF SPRINGFIELD
 CONSULTING ENGINEERS
 PROFESSIONAL ENGINEERS
 LICENSE NO. 12121
 PROJECT 03236 W012
 12/6/05-MML