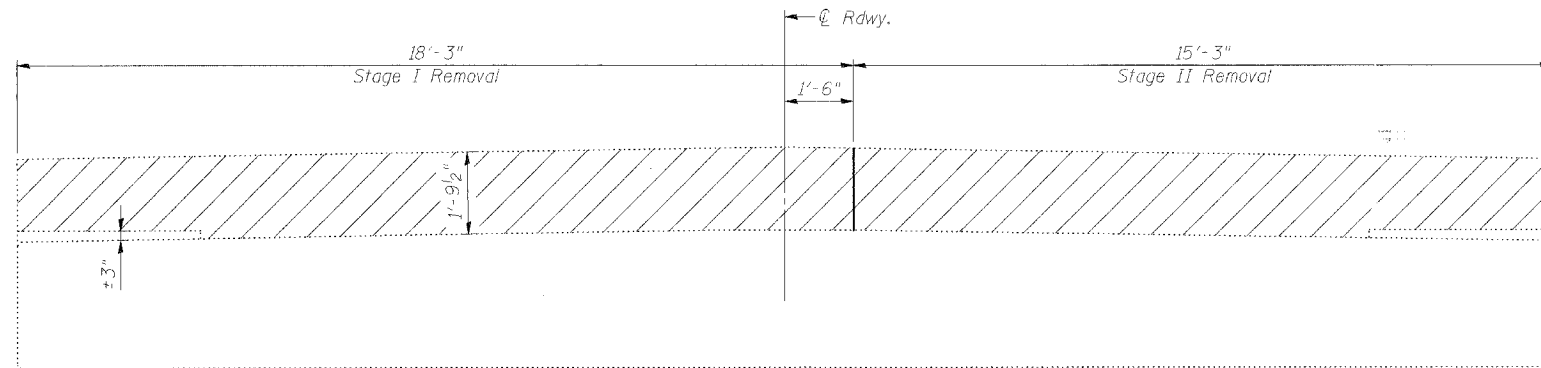


STATE OF ILLINOIS  
DEPARTMENT OF TRANSPORTATION

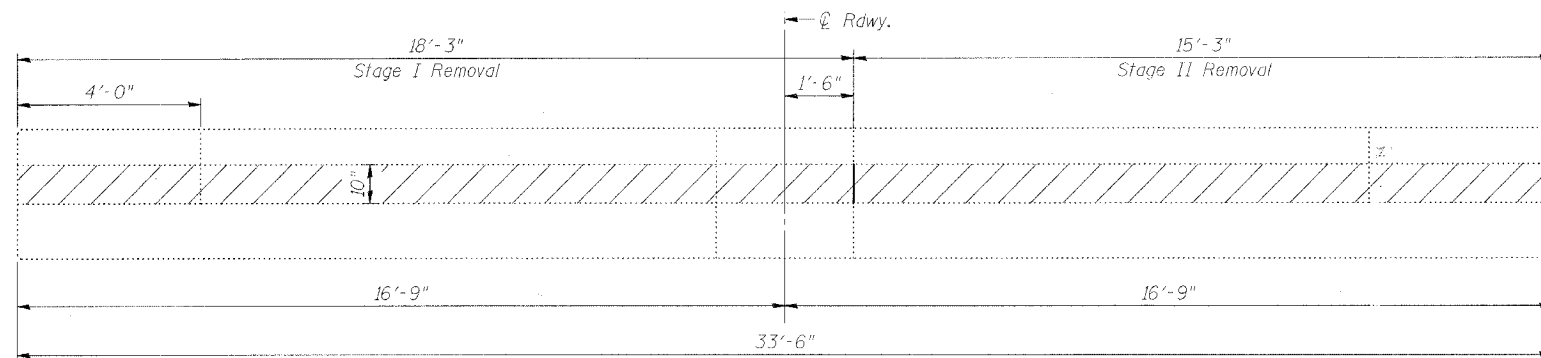
ROUTE NO.	SECTION	COUNTY	TOTAL SHEETS	SHEET NO.
FAP 840	136 BR-1	IROQUOIS	45	17
FED. ROAD DIST. NO.	ILLINOIS	FED. AID PROJECT-		

SHEET NO. 7  
9 SHEETS

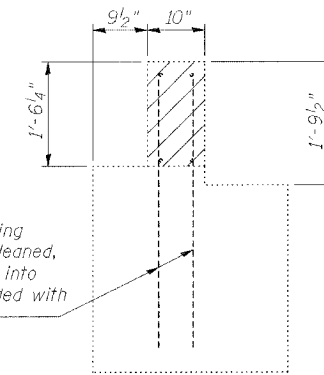
Contract #66668



**ELEVATION**  
(Looking North)



**PLAN**  
**NORTH ABUTMENT**



Existing reinforcement extending into removed areas shall be cleaned, straightened and incorporated into new construction. Cost included with "Concrete Removal".

**SECTION THRU ABUTMENT**



**LEGEND**

Indicates Concrete Removal

ILLINOIS DEPARTMENT OF TRANSPORTATION  
**CONCRETE REMOVAL DETAILS**  
FAP ROUTE 840 (IL 49) OVER SHAVETAILE CREEK  
SECTION 136 BR-1 IROQUOIS COUNTY  
STA. 616+84.00  
S.N. 038-0093

REVISIONS	
NAME	DATE

SCALE: VERT. \_\_\_\_\_  
HORIZ. \_\_\_\_\_  
DATE: 9/21/05

DRAWN BY: HEBERLING  
DESIGNED BY: SANFORD  
CHECKED BY: TRELLO

**GREENE & BRADFORD, INC.**  
OF SPRINGFIELD  
REGISTERED PROFESSIONAL ENGINEERS  
PROFESSIONAL ENGINEER LICENSE NO. 021-10000  
PROFESSIONAL STRUCTURAL ENGINEERING CORPORATION  
101-112 WEST 10TH STREET, SUITE 200, SPRINGFIELD, ILLINOIS 62761-1122

COMPUTER FILE NO.  
SN038-0093.REM.dgn  
PROJECT 03236 W012  
11/3/05-MML

FILE NAME = I:\03236\w012\dr\aw\mg\sn038-0093\SN038-0093.REM.dgn  
 PLOT DATE = 12/22/2005  
 PLOT TIME = 15:40:44 PM  
 OPERATOR = michellel