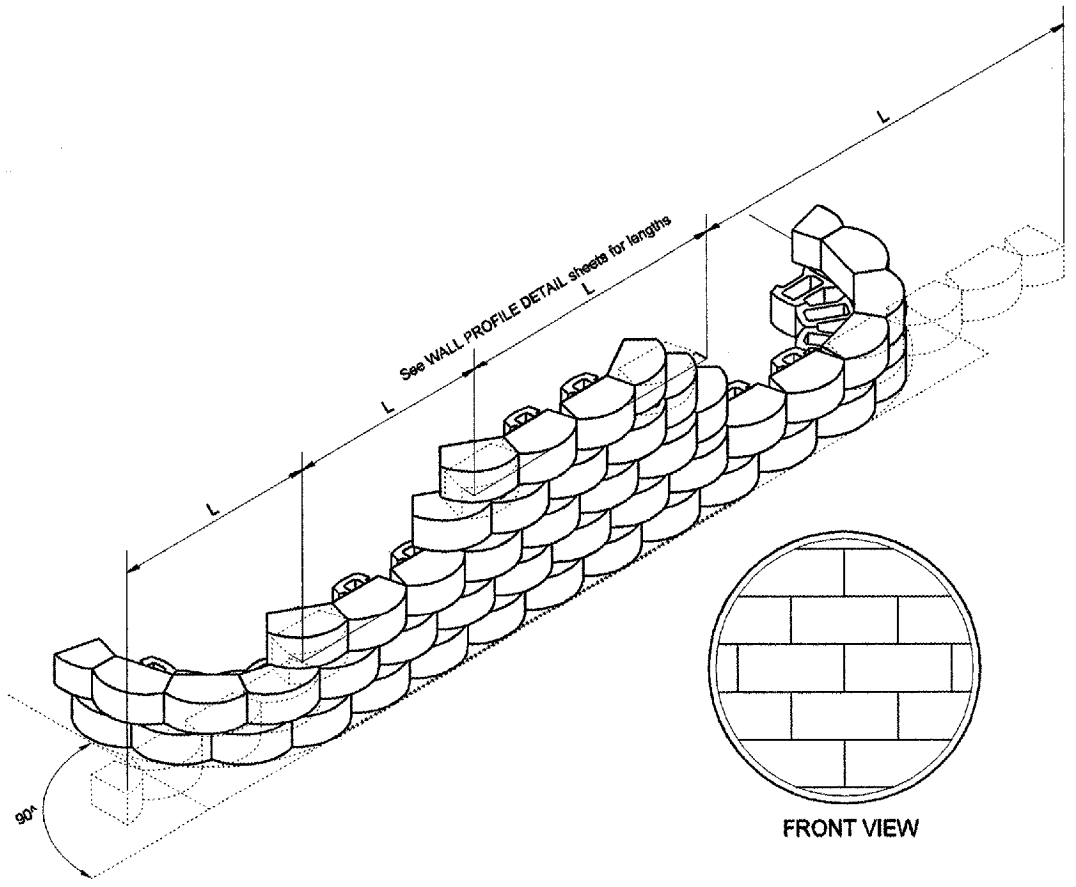
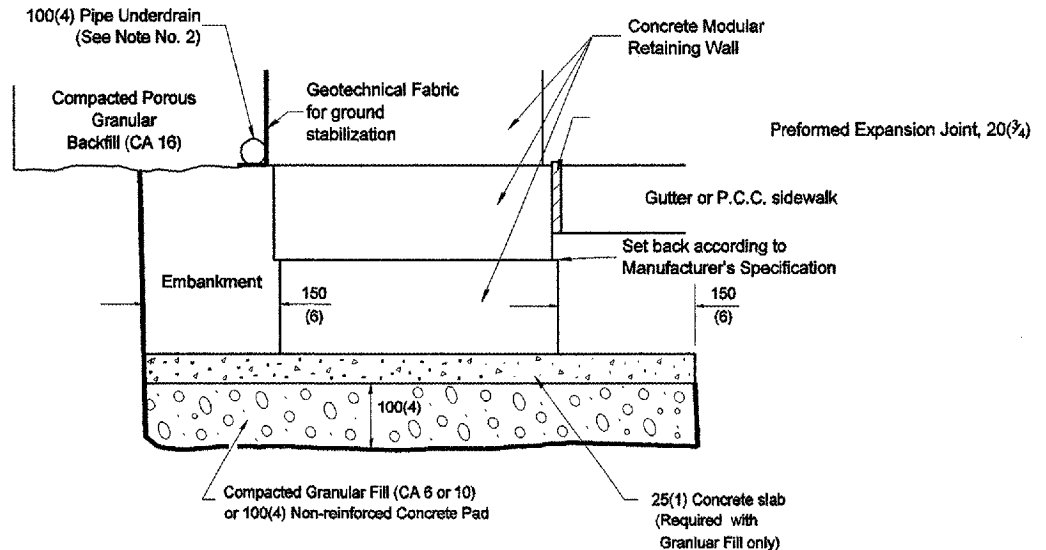


F.A.P. RTE.	SECTION	COUNTY	TOTAL SHEETS	SHEET NO.
646	*	PEORIA	30	30
STA.		TO STA.		
FED. ROAD DIST. NO.	ILLINOIS	FED. AID PROJECT		

* D4 SLOPE REPAIR 2006



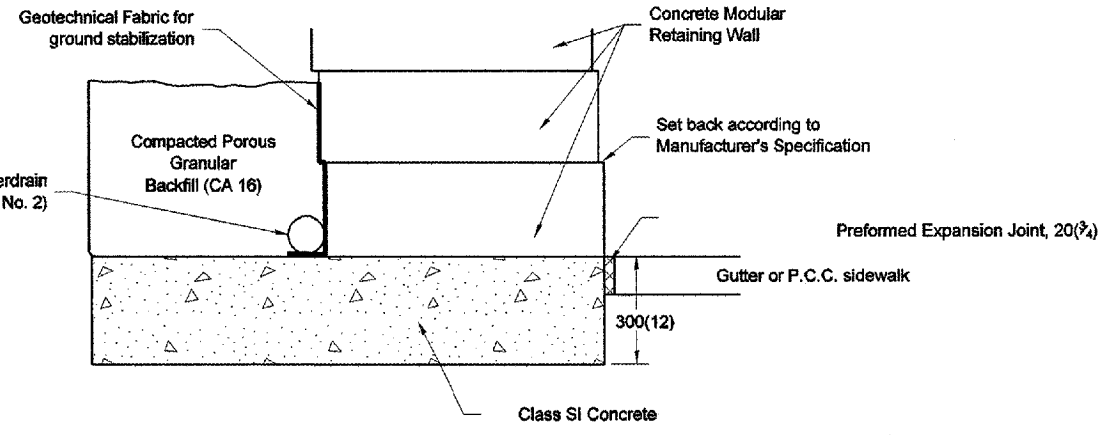
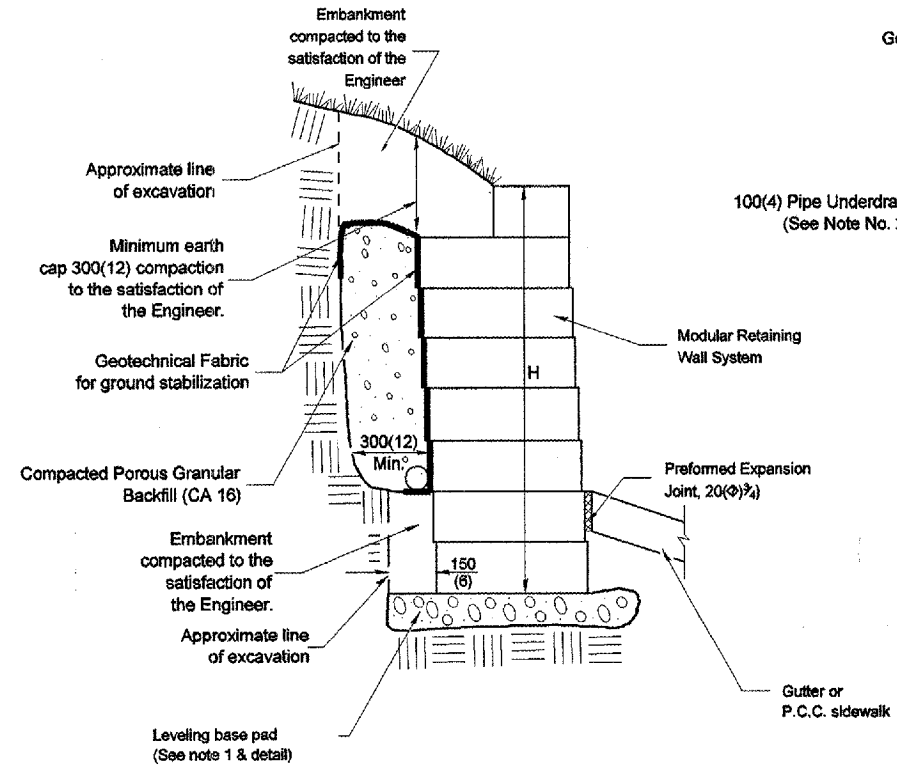
INSTALLATION OF COURSES IN RUNNING BOND



LEVELING BASE PAD DETAIL

NOTES:

1. At the Contractor's option the portion of the stone wall below top of sidewalk elevation may be constructed with class SI concrete. The width shall match the width of the modular block plus the 300(12) maximum trench.
2. 100(4) Pipe Underdrains shall outlet into inlets or storm sewer.
3. Pipe drains and pipe underdrains shall meet the requirements of the applicable portions of section 601 of the Standard Specifications.
4. Preformed expansion joint filler shall be placed between the gutter or sidewalk and the wall.
5. The geotechnical fabric shall meet the requirements of the applicable portions of Sections 210 and 1080 of the Standard Specifications.



LEVELING BASE PAD CONCRETE ALTERNATE (See Note 1)

All dimensions are in millimeters (inches) unless otherwise noted.

ILLINOIS DEPARTMENT OF TRANSPORTATION
DISTRICT CADD STANDARD

MODULAR RETAINING WALL SYSTEM DETAIL

CADD STD NO. 680101-D4
SCALE: NOT DRAWN TO SCALE
DATE \$\$\$DATE\$\$\$
DRAWN BY CADD
CHECKED BY

DATE	REVISIONS	BY
1-1-97	RENUM L-3.05, NEW REVISION BOX, REVISED TITLE BOX	T.P.

DESIGNER NOTES:
1. Use in conjunction with Special Provisions for Modular Retaining Wall System, with name of three systems specified.
2. Use in conjunction with Special Provisions for Pipe Underdrains, CA 16, without Fabric Envelope.

\$\$\$DATE\$\$\$