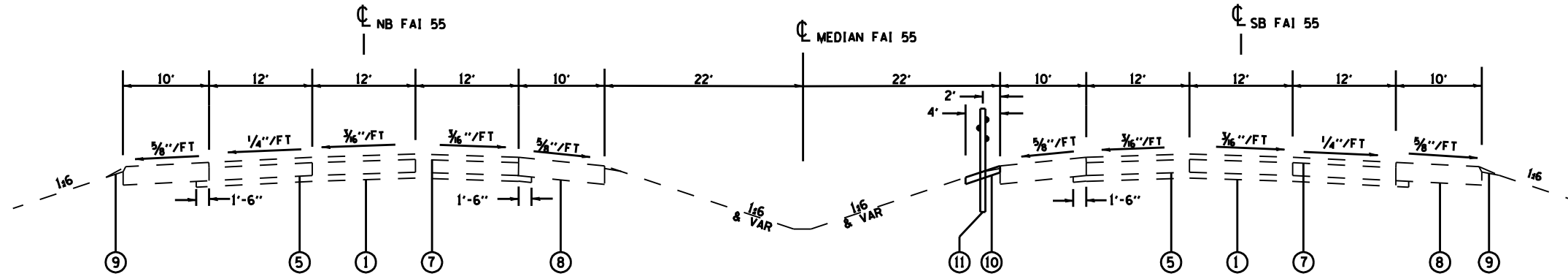
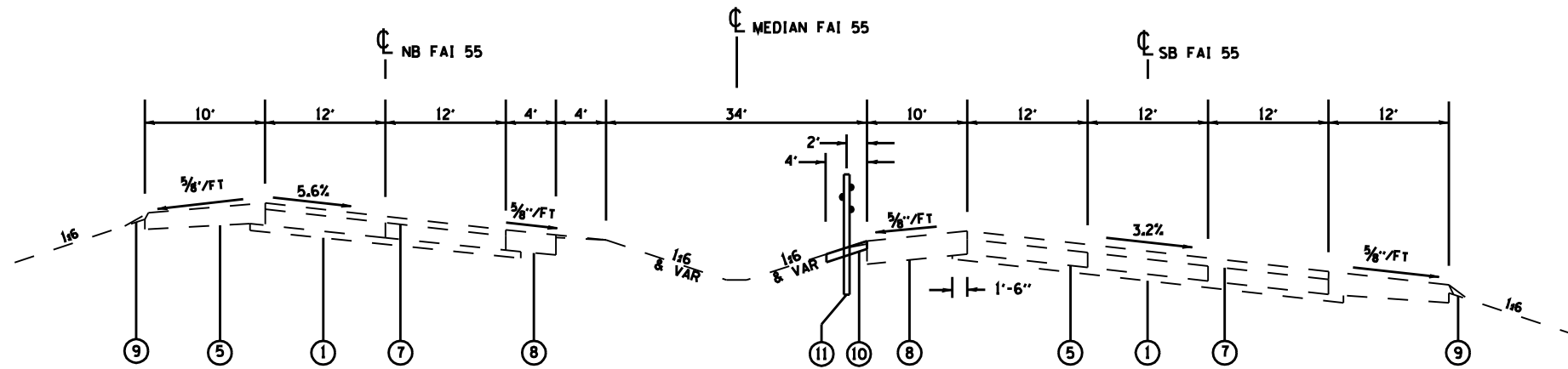


F.A.I. RTE.	SECTION	COUNTY	TOTAL SHEETS	SHEET NO.
55		SANGAMON	20	4
STA.		TO STA.		
FED. ROAD DIST. NO.	ILLINOIS	FED. AID PROJECT		

• - D-6 CABLE MED BAR #1



FAI-55 LOCATION A
STA 259+84.00 TO STA 273+05.00



FAI-55 LOCATION A
STA 273+05.00 TO STA 290+17.81
STA 349+10.84 TO STA 366+63.00

LEGEND

- 1 EX STABILIZED SUB-BASE, 4"
- 2 EX SUB-BASE, GRANULAR MATERIAL
- 3 EX BURIED PAVEMENT
- 4 EX CRC PAVEMENT, 8"
- 5 EX CRC PAVEMENT, 9"
- 6 EX CRC PAVEMENT, 11 1/2"
- 7 EX OVERLAY 3 3/4 "
- 8 EX STABILIZED SHOULDER, 8"
- 9 EX AGGREGATE SHOULDER
- 10 PR BITUMINOUS SHOULDERS SUPERPAVE 4"
- 11 PR HIGH TENSION CABLE MEDIAN BARRIER

REVISIONS	
NAME	DATE

ILLINOIS DEPARTMENT OF TRANSPORTATION

FAI 55 (I-55)
TYPICAL SECTIONS
SECTION D-6 CABLE MED BAR #1
SANGAMON COUNTY

SCALE: VERT.
HORIZ.
DATE

DRAWN BY
CHECKED BY